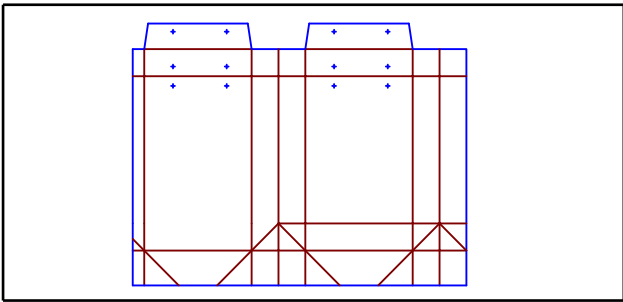
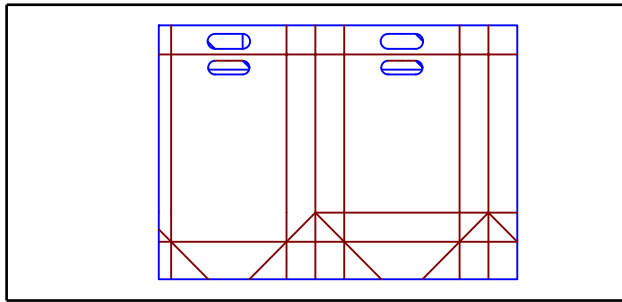


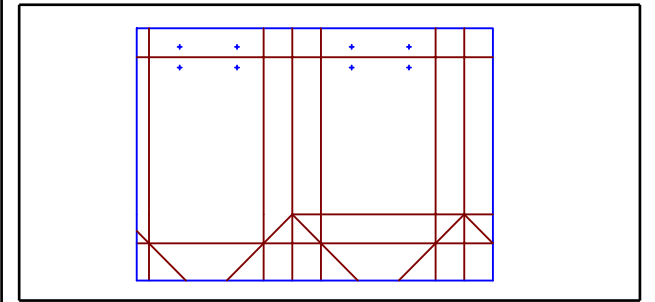
# Bags



**Bag type 2 with Rope Crosses or Holes**

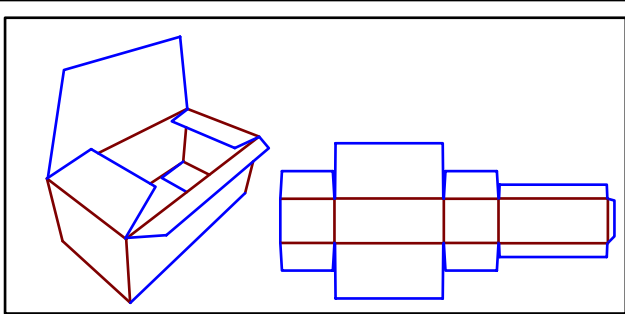


**Bag with handhole**



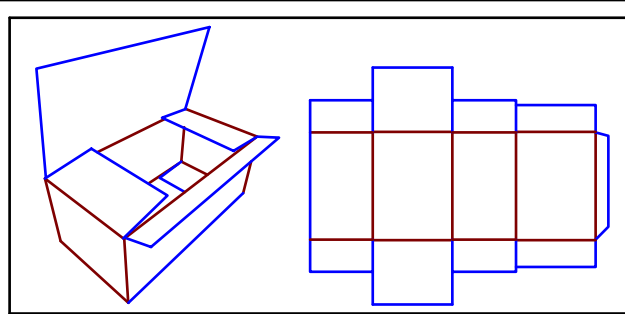
**Bag with Rope Cosses or Holes**

# ECMA



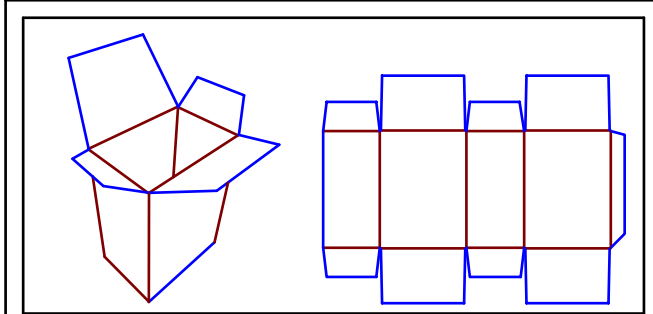
**A0111 (Skillet with economy chamfered flaps)**

**Material 250-750 N,F,G,E**



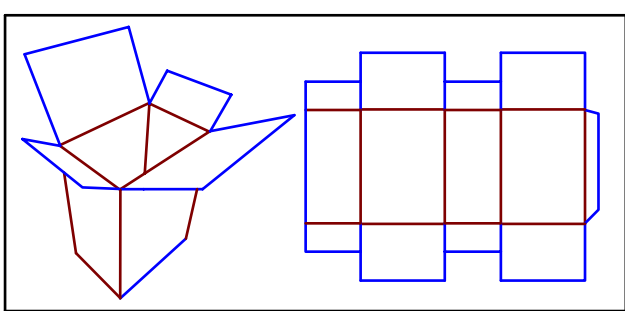
**A0111 (Skillet with economy square flaps)**

**Material 250-750 N,F,G,E**



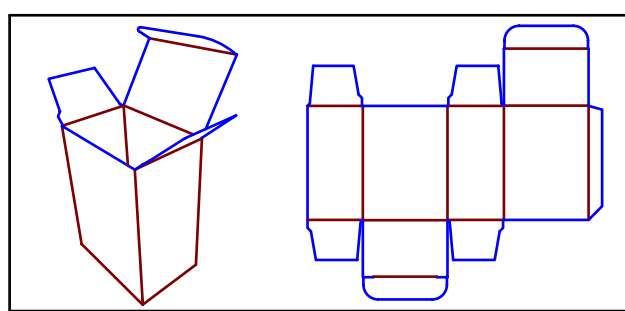
**A0111 (Skillet with full chamfered flaps))**

**Material 250-750 N,F,G,E**



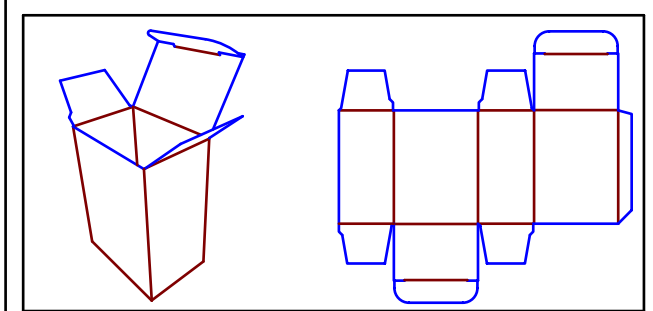
**A0111 (Skillet with full square flaps)**

**Material 250-750 N,F,G,E**



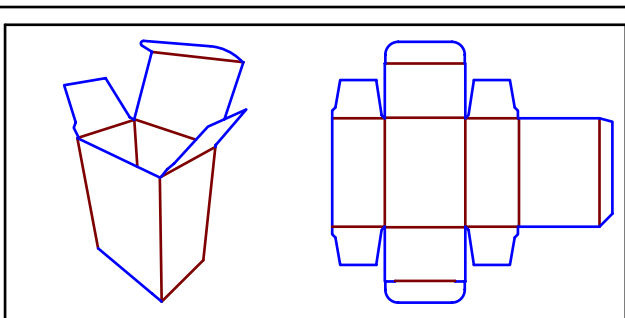
**A2120 (RTE with friction top tuck)**

**Material 250-750 N,F,G,E**



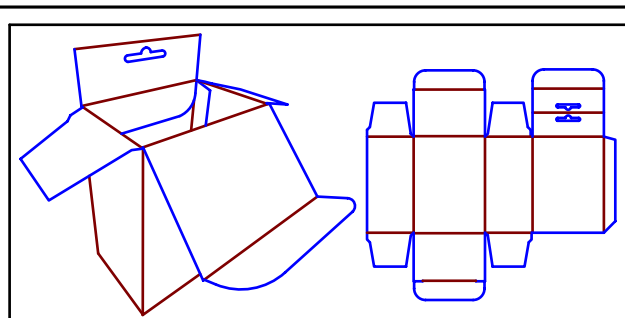
**A2120 (RTE with slitlock top tuck)**

**Material 250-750 N,F,G,E**



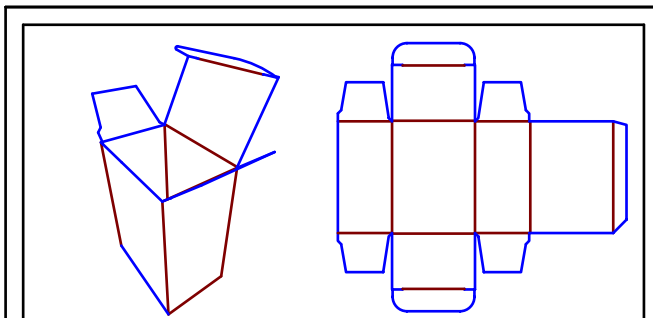
**A2120 (STE with friction top tuck)**

**Material 250-750 N,F,G,E**



**A2120 (STE with hanging card)**

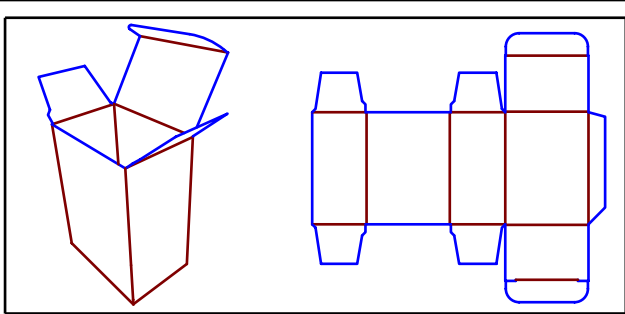
**Material 250-750 N,F,G,E**



**A2120 (STE with slitlock top tuck)**

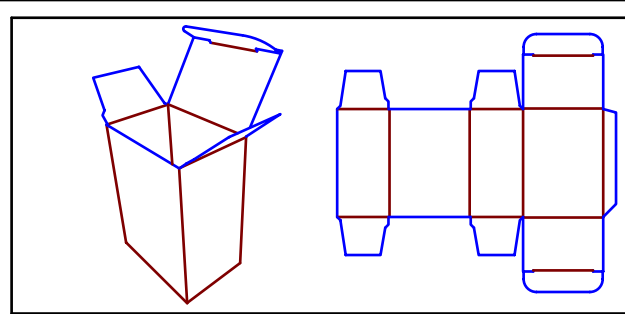
**Material 250-750 N,F,G,E**

# ECMA



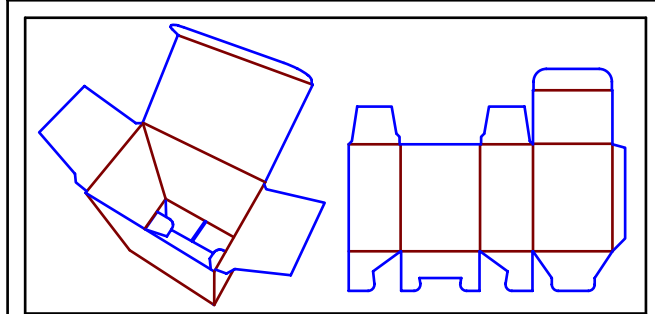
**A2320 (AERO with friction top tuck)**

**Material 250-750 N,F,G,E**



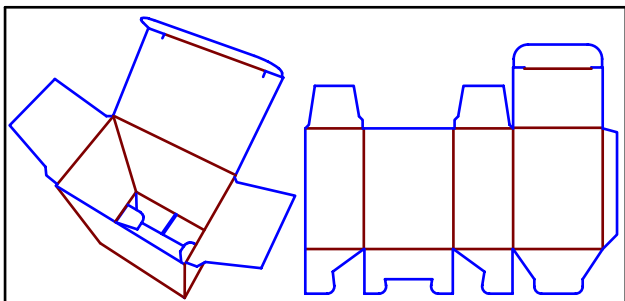
**A2320 (AERO with slitlock top tuck)**

**Material 250-750 N,F,G,E**



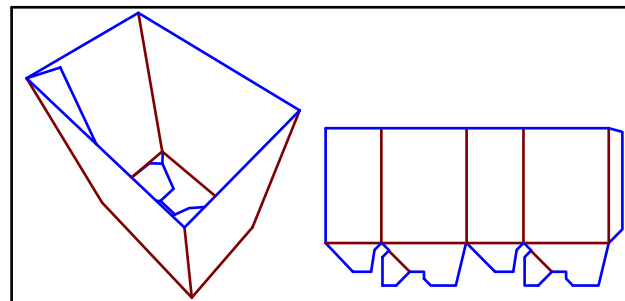
**A5520 (Snap lock with friction top tuck)**

**Material 250-750 N,F,G,E**



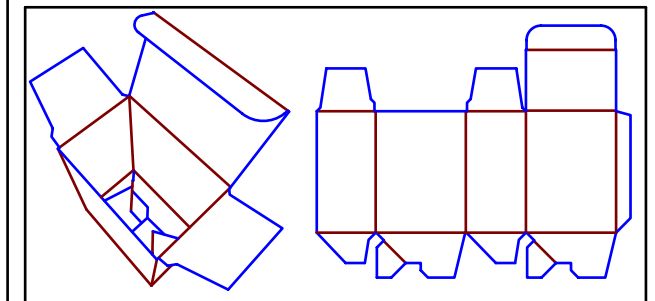
**A5520 (Snap lock with slitlock top tuck)**

**Material 250-750 N,F,G,E**



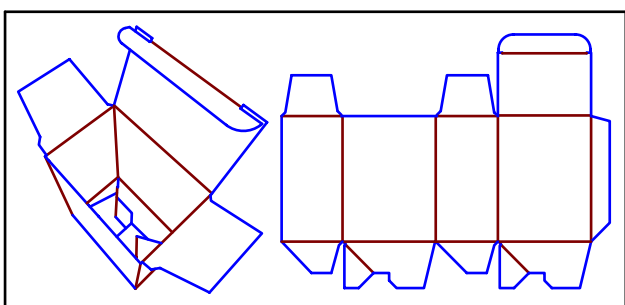
**A6001 (Crash lock with open top)**

**Material 250-750 N,F,G,E**



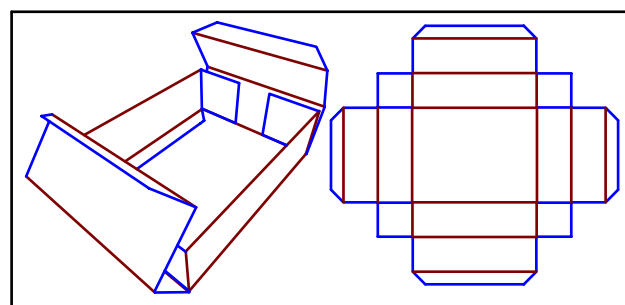
**A6020 (Crash lock with friction top tuck)**

**Material 250-750 N,F,G,E**



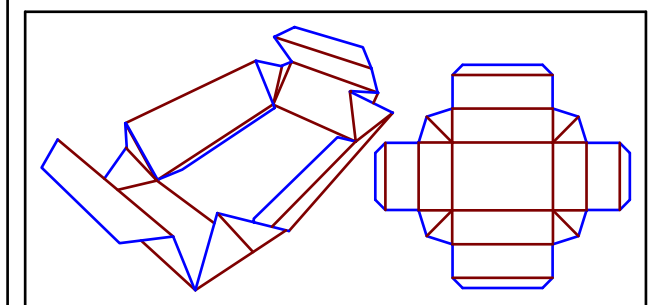
**A2120 (STE with friction top tuck)**

**Material 250-750 N,F,G,E**



**B1010 (Self locking tray)**

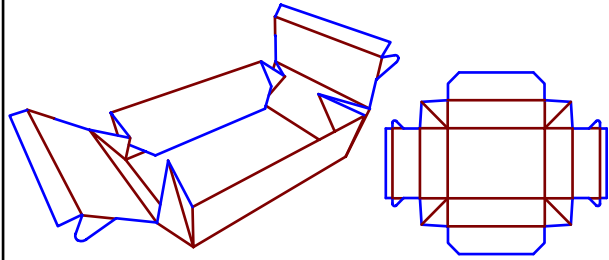
**Material 250-750 N,F,G,E**



**B1011 (self locking tray)**

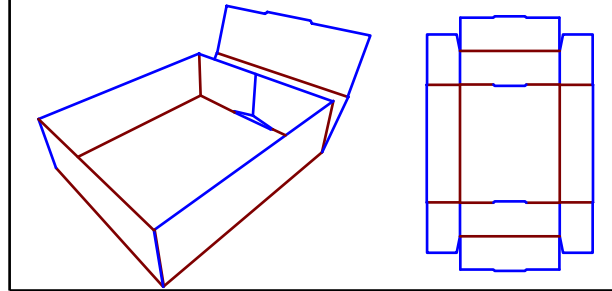
**Material 250-750 N,F,G,E**

# ECMA



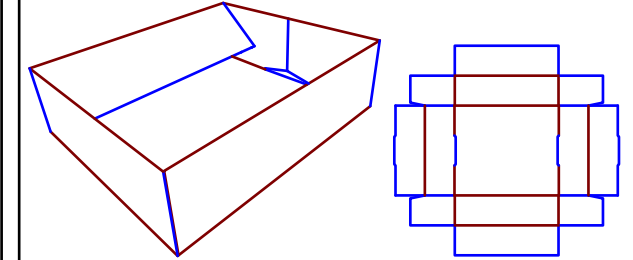
**B1021 (self locking tray)**

**Material 250-750 N,F,G,E**



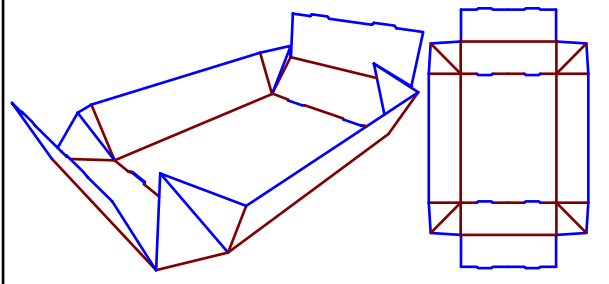
**B2001 (Self locking tray)**

**Material 250-750 N,F,G,E**



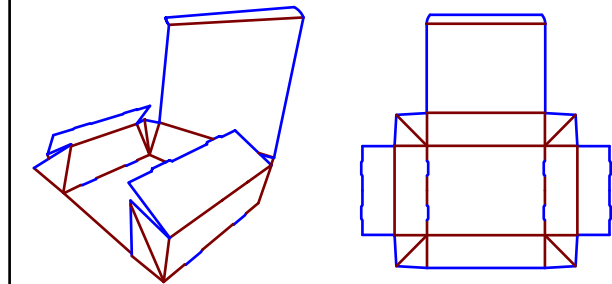
**B2020 (Self locking tray with return)**

**Material 250-750 N,F,G,E**



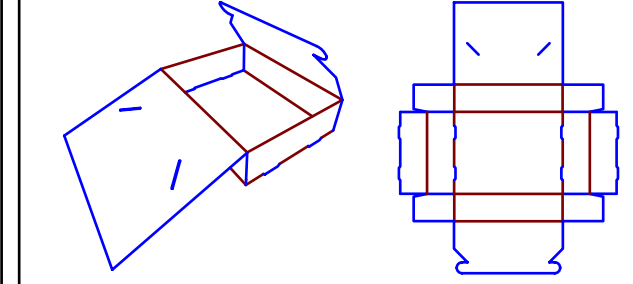
**B2111 (self locking tray)**

**Material 250-750 N,F,G,E**



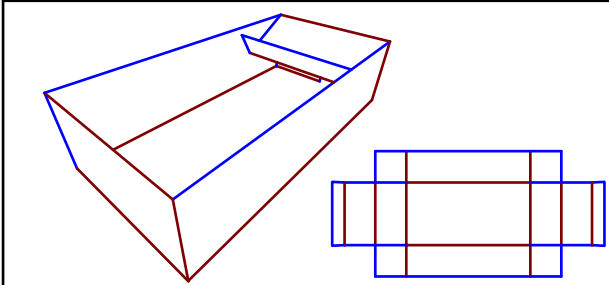
**B2150 (Self locking box and lid)**

**Material 250-750 N,F,G,E**



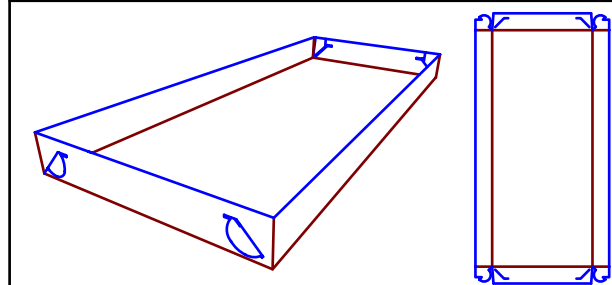
**B2152 (Self locking tray with lid)**

**Material 250-750 N,F,G,E**



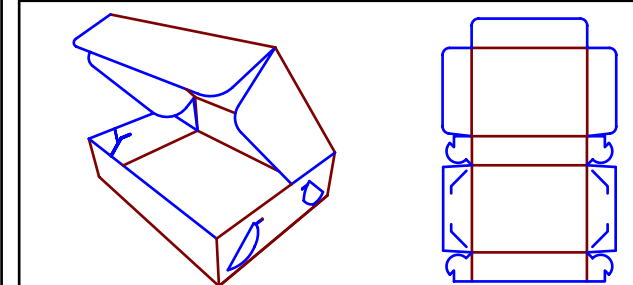
**B2201 (Self locking tray)**

**Material 250-750 N,F,G,E**



**B3310 (Self locking tray)**

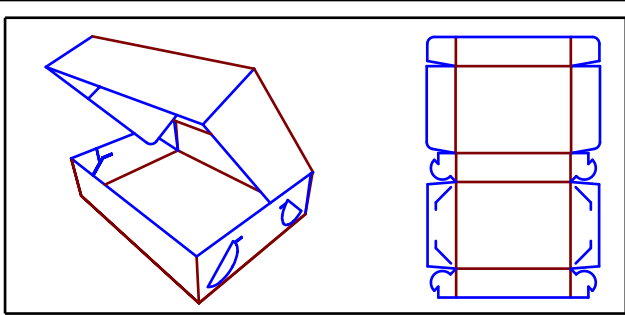
**Material 250-750 N,F,G,E**



**B3353 (Self locking box and lid)**

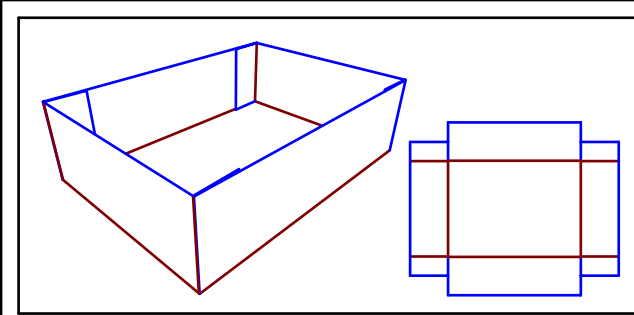
**Material 250-750 N,F,G,E**

# ECMA



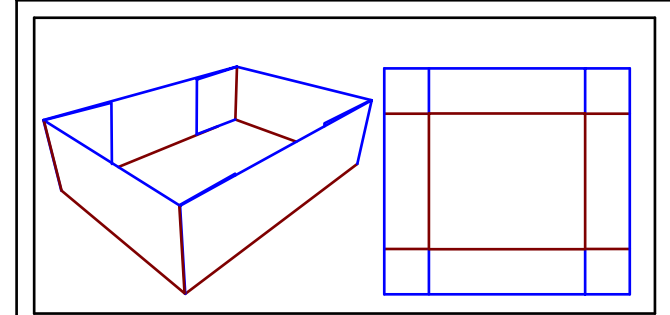
**B3360 (Self locking box and lid)**

**Material 250-750 N,F,G,E**



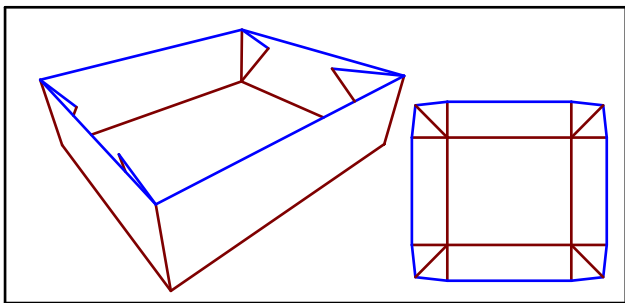
**B4010 (Glued tray)**

**Material 250-750 N,F,G,E**



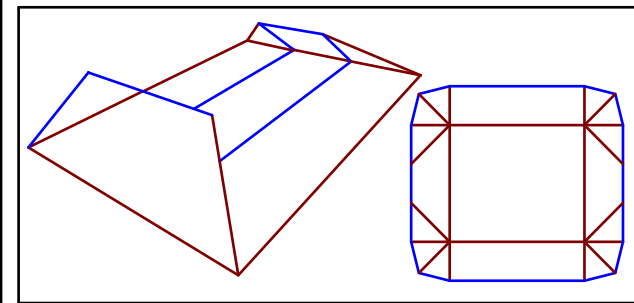
**B4010a (Glued tray)**

**Material 250-750 N,F,G,E**



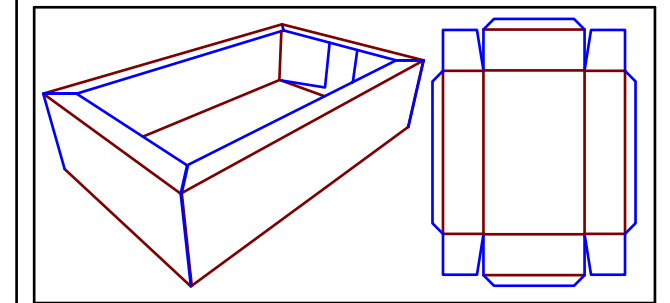
**B4011 (Glued tray)**

**Material 250-750 N,F,G,E**



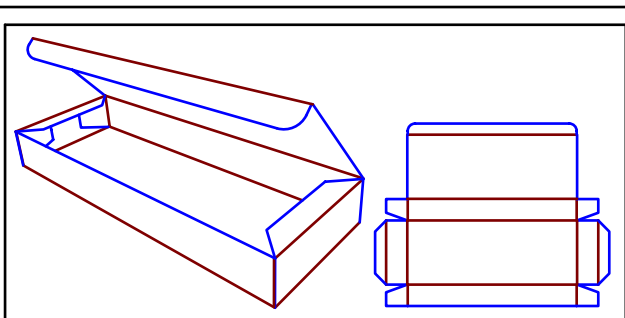
**B4021 (Glued tray)**

**Material 250-750 N,F,G,E**



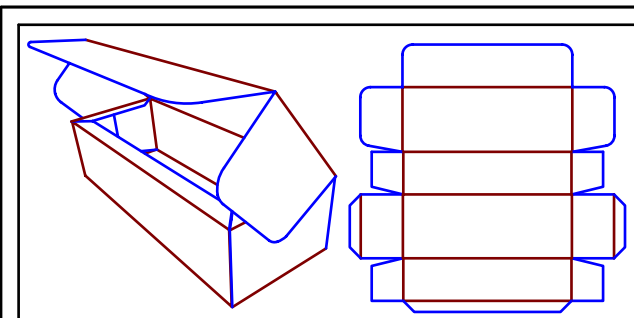
**B4110 (Glued tray)**

**Material 250-750 N,F,G,E**



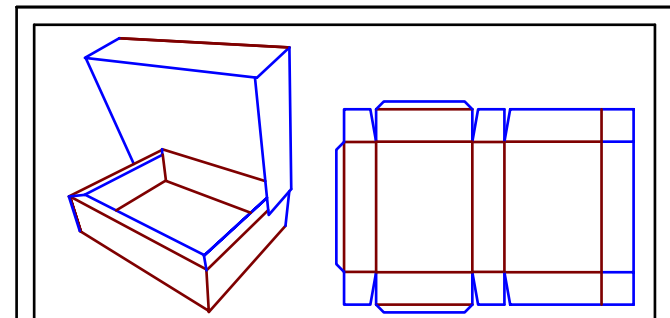
**B4150 (Glued tray with lid)**

**Material 250-750 N,F,G,E**



**B4153 (Glued tray with lid)**

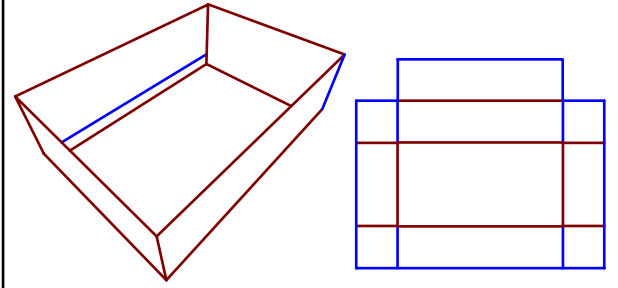
**Material 250-750 N,F,G,E**



**B4160 (Glued tray with lid)**

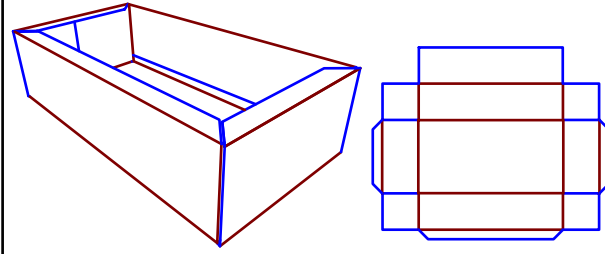
**Material 250-750 N,F,G,E**

# ECMA



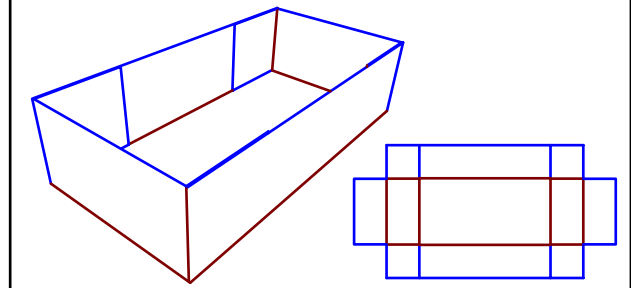
**B4210 (Glued tray)**

**Material 250-750 N,F,G,E**



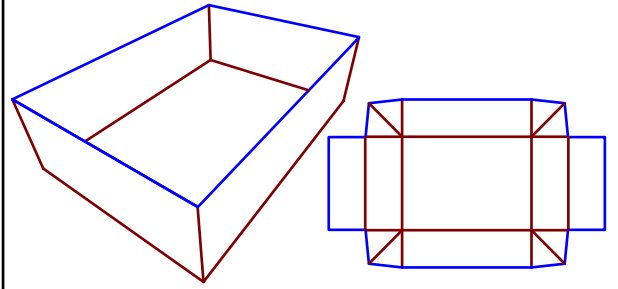
**B4310 (Glued tray)**

**Material 250-750 N,F,G,E**



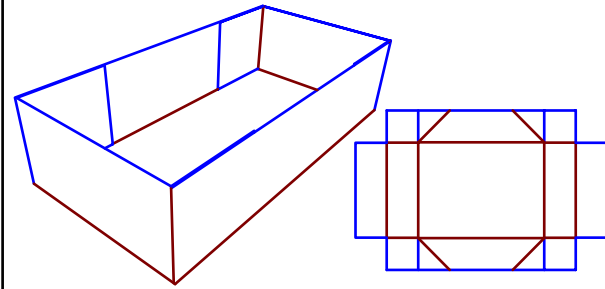
**B4410 (Glued tray)**

**Material 250-750 N,F,G,E**



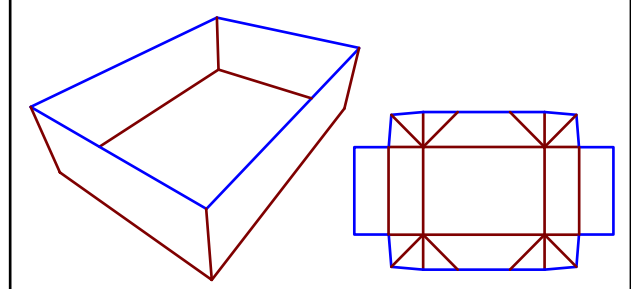
**B4411 (Glued tray)**

**Material 250-750 N,F,G,E**



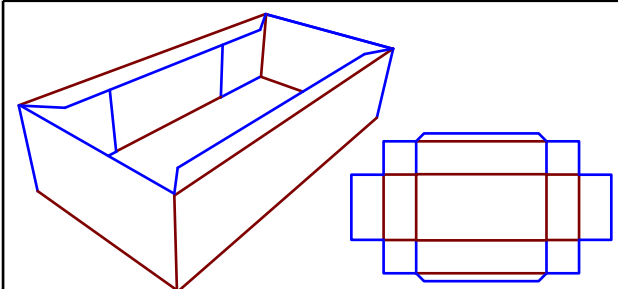
**B4420 (Glued tray)**

**Material 250-750 N,F,G,E**



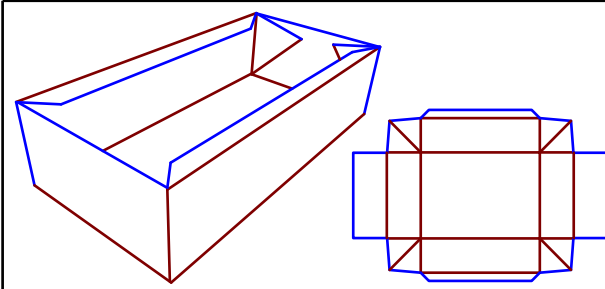
**B4421 (Glued tray)**

**Material 250-750 N,F,G,E**



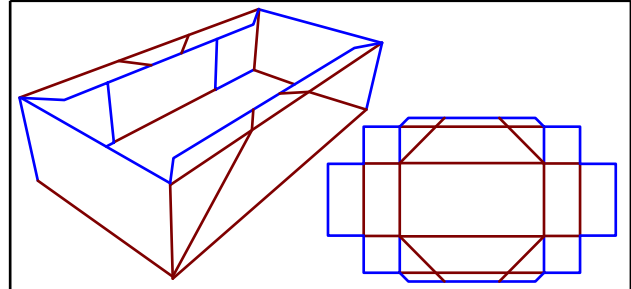
**B4510 (Glued tray)**

**Material 250-750 N,F,G,E**



**B4511 (Glued tray)**

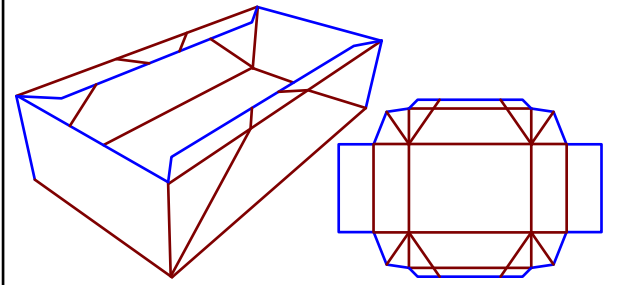
**Material 250-750 N,F,G,E**



**B4520 (Glued tray)**

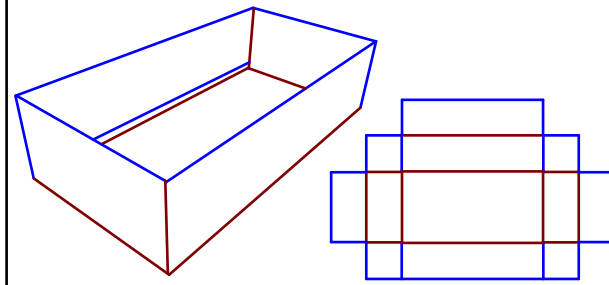
**Material 250-750 N,F,G,E**

# ECMA



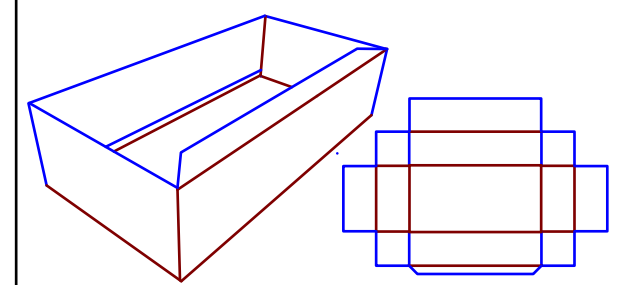
**B4521 (Glued tray)**

**Material 250-750 N,F,G,E**



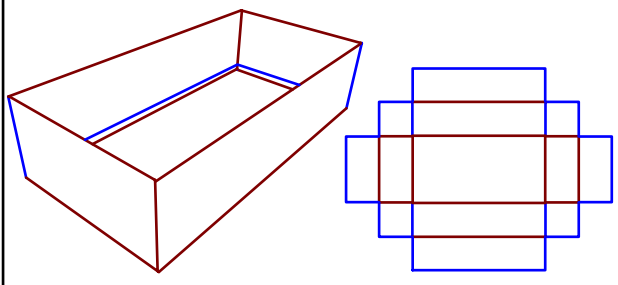
**B4610 (Self locking tray)**

**Material 250-750 N,F,G,E**



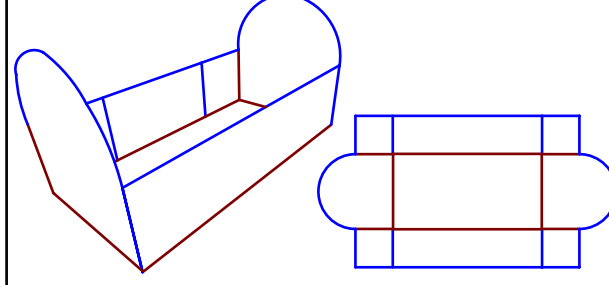
**B4710 (Self locking tray)**

**Material 250-750 N,F,G,E**



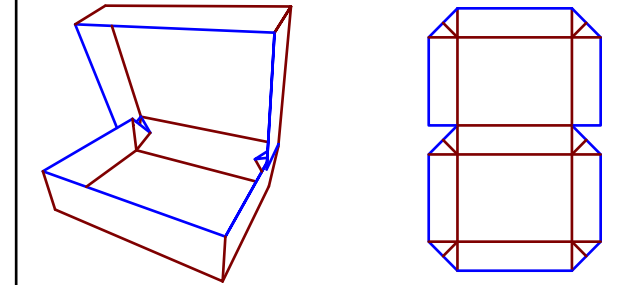
**B4810 (Self locking tray)**

**Material 250-750 N,F,G,E**



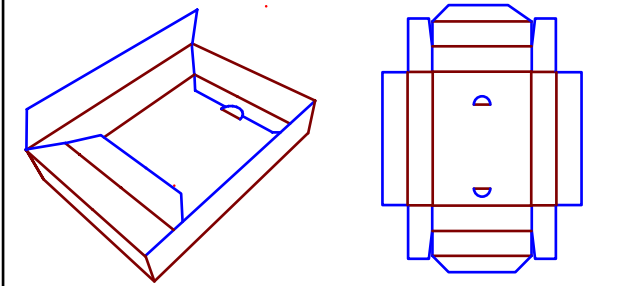
**B4910 (Glued tray)**

**Material 250-750 N,F,G,E**



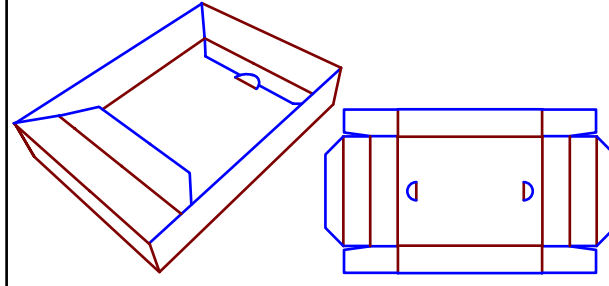
**B6021 (Glued tray)**

**Material 250-750 N,F,G,E**



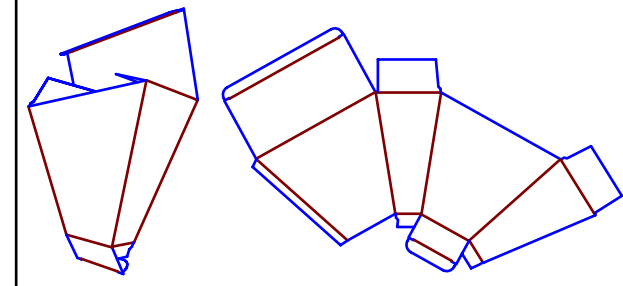
**C1010 (Clip locking tray with returns)**

**Material 250-750 N,F,G,E**



**C2110 (Clip locking tray)**

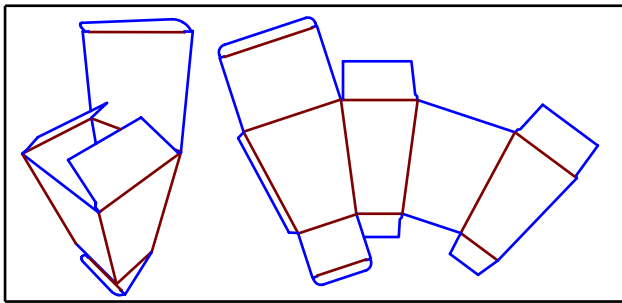
**Material 250-750 N,F,G,E**



**C2120 (Tapered carton with tuck base and tuck top reverse)**

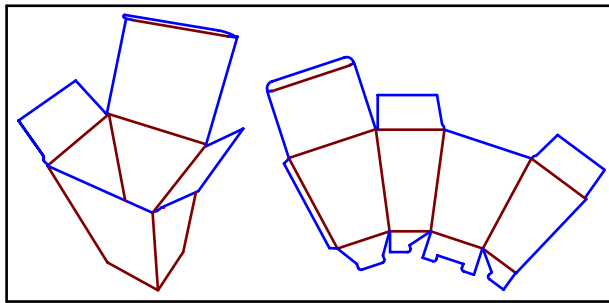
**Material 250-1000**

# ECMA



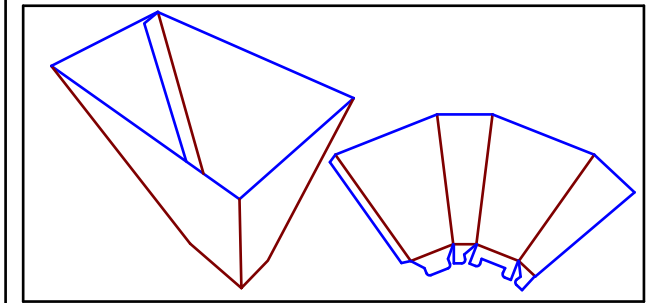
C2120 (Tapered carton with tuck base and tuck top)

Material 350-1000



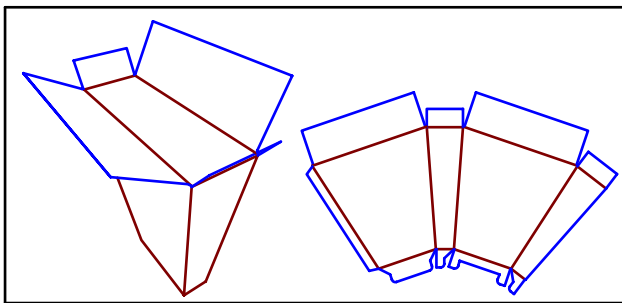
C2155 (Tapered carton with envelope base and tuck top)

Material 350-1000



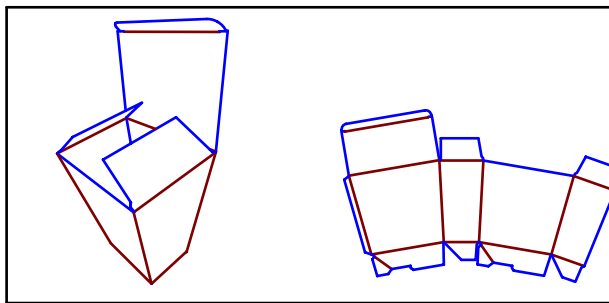
C2155 (Tapered carton with envelope base no top flaps)

Material 350-1000



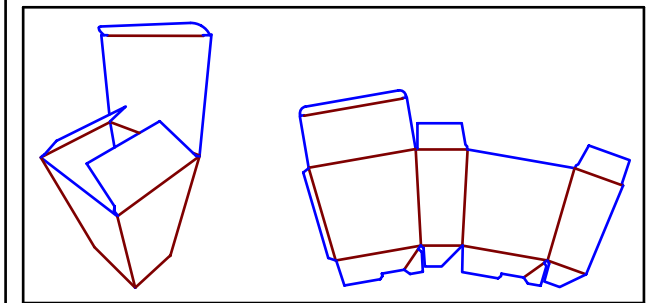
C2155 (Tapered carton with envelope base with top flaps)

Material 350-1000



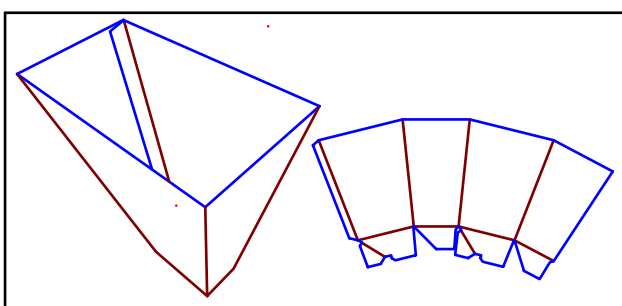
C2160 (Tapered carton with crash base and tuck top)

Material 350-1000



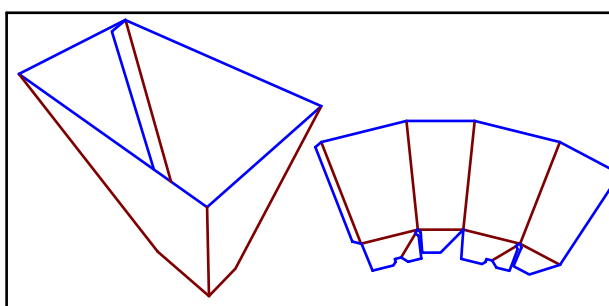
C2160 (Tapered carton with crash base and tuck top)1

Material 350-1000



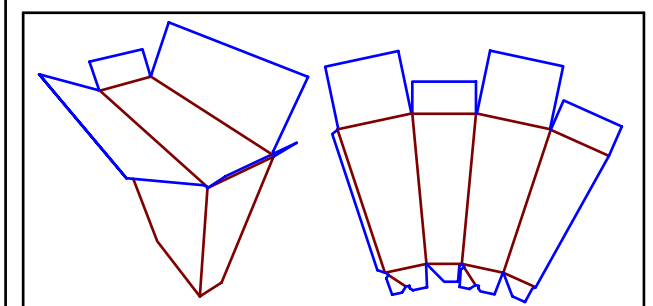
C2160 (Tapered carton with crash base no top flaps)

Material 350-1000



C2160 (Tapered carton with crash base no top flaps)1

Material 350-1000

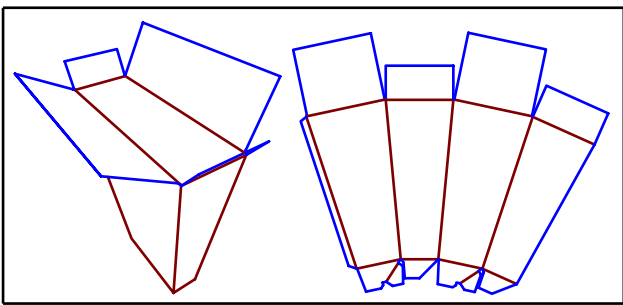


C2160 (Tapered carton with crash base with top flaps)

Material 350-1000

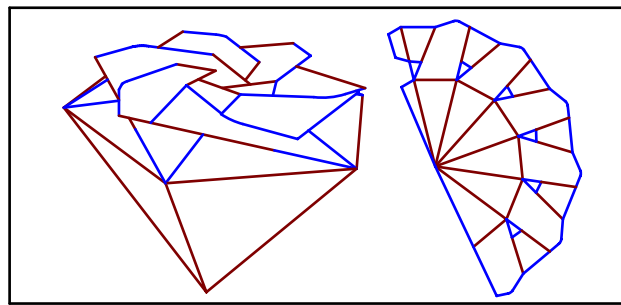


# ECMA



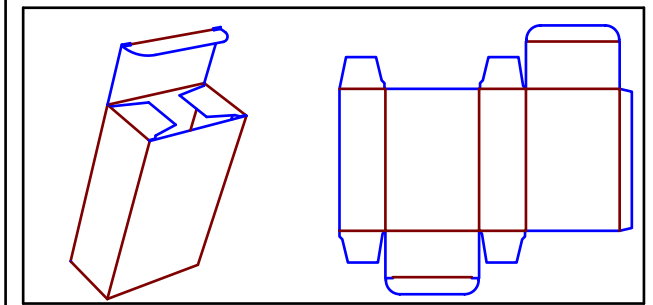
C2160 (Tapered carton with crash base with top flaps)1

Material 350-1000



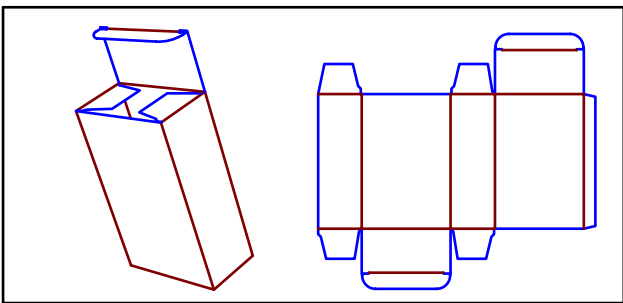
C5280 Pyramid

Material None



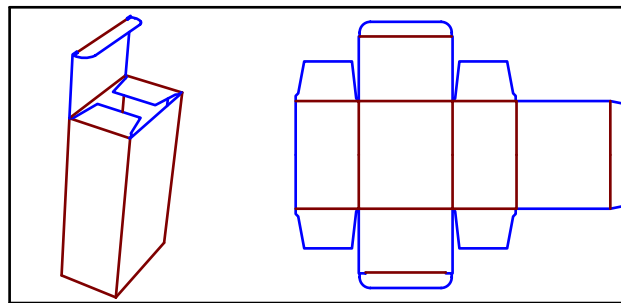
ECA001

Material 250-500



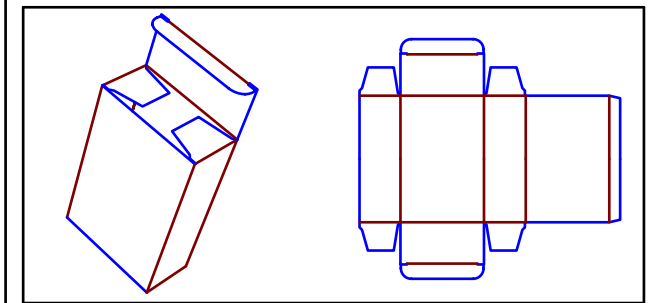
ECA002

Material 250-500



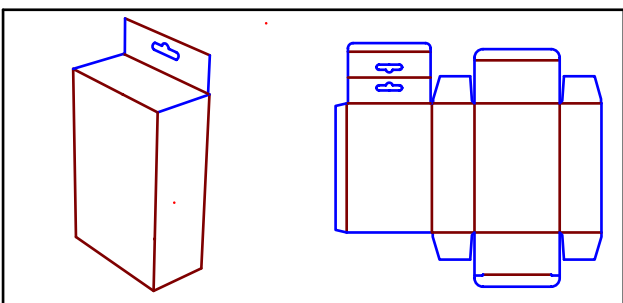
ECA003

Material 250-500



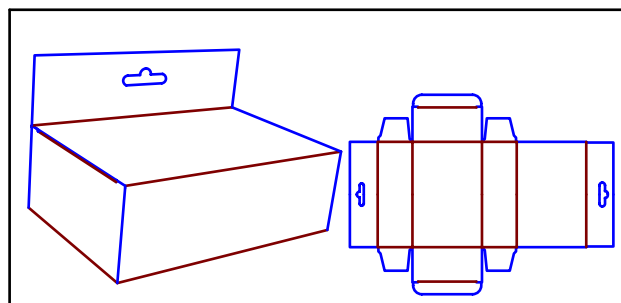
ECA004

Material 350-1000



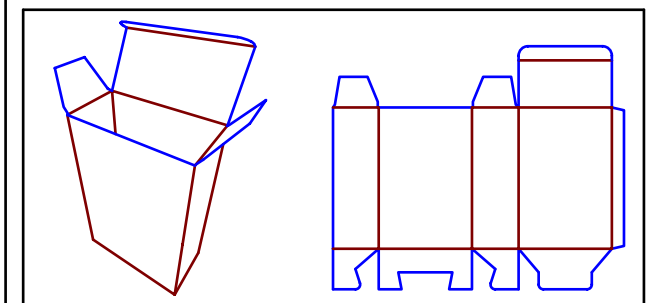
ECA005

Material 250-500



ECA006

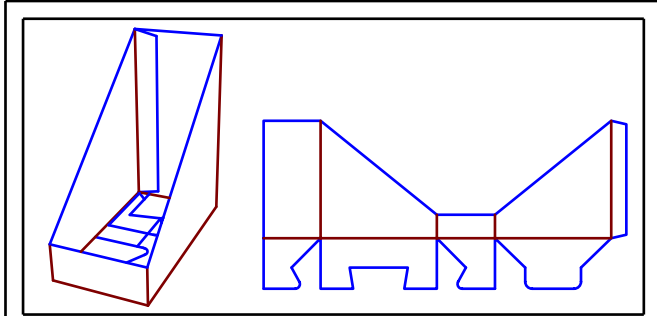
Material 250-500



ECA007

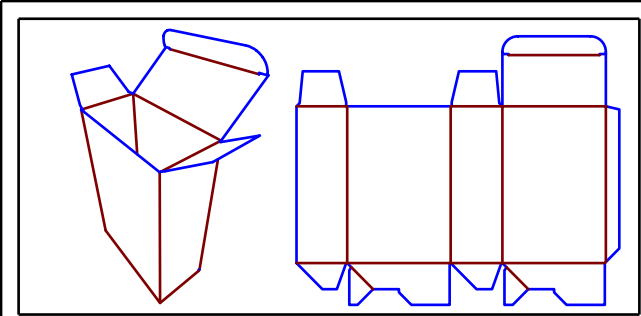
Material 250-500

# ECMA



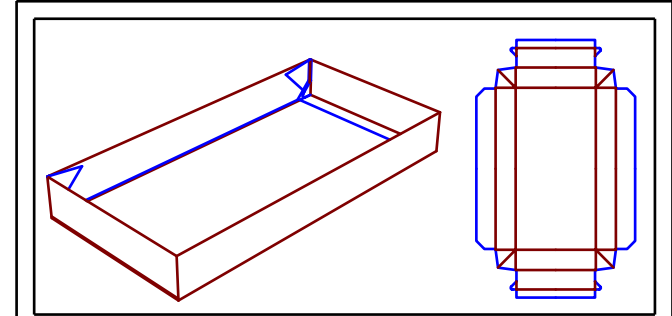
ECA008

Material 250-500



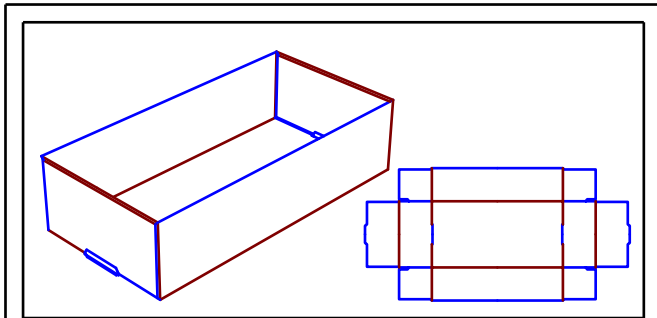
ECA009

Material None



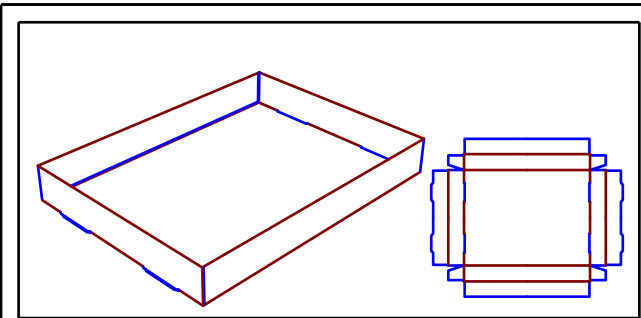
ECA010

Material 250-500



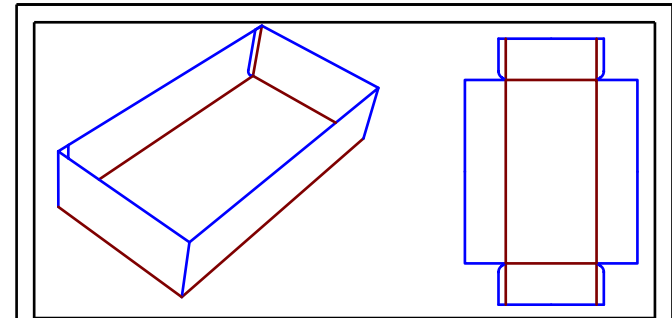
ECA011

Material 250-500



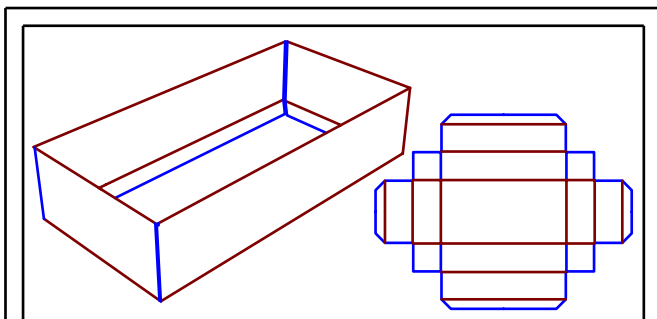
ECA012

Material 250-500



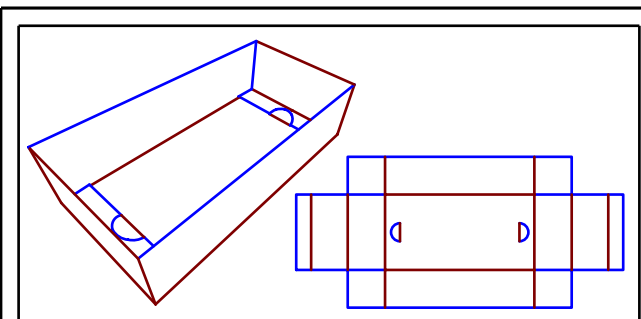
ECA013

Material 350-1000



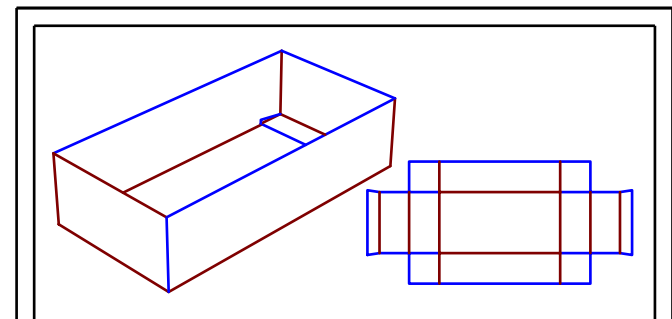
ECA014

Material 250-500



ECA015

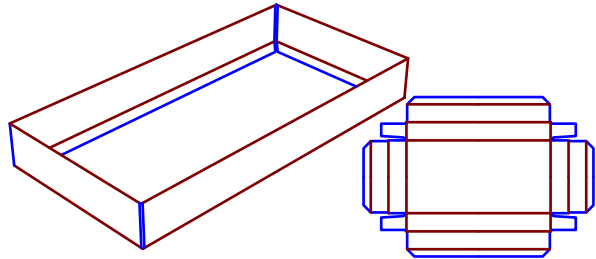
Material 250-500



ECA016

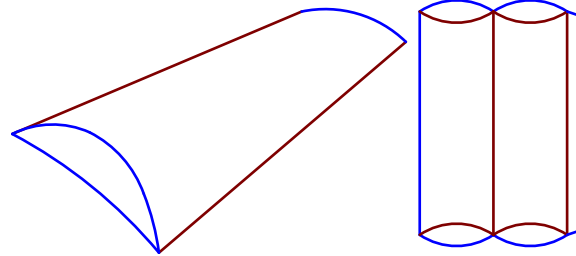
Material 250-500

# ECMA



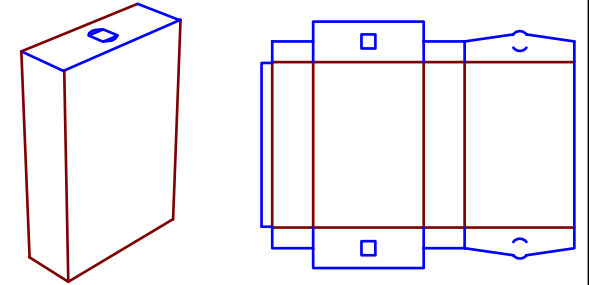
ECA017

Material 250-500



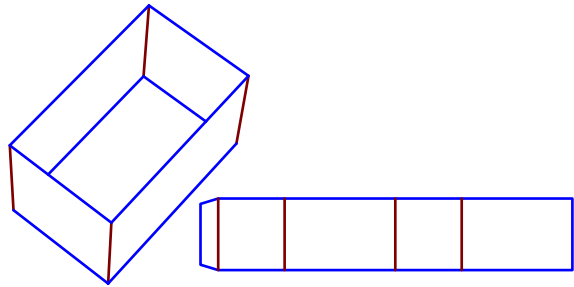
ECA018

Material 250-500



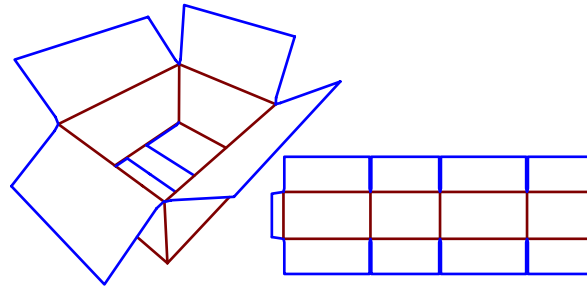
ECA019

Material 250-500



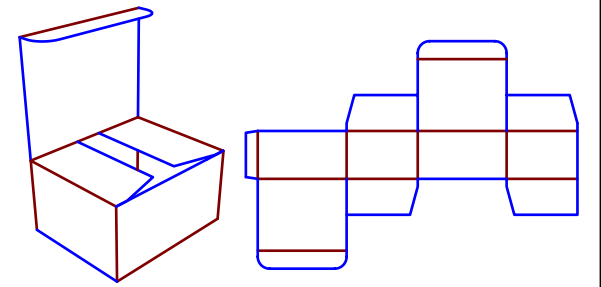
ECA020

Material 250-500



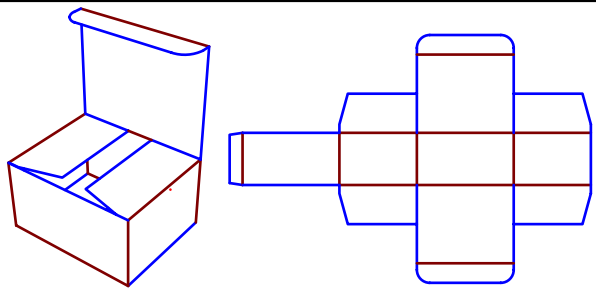
ECA021

Material 250-500



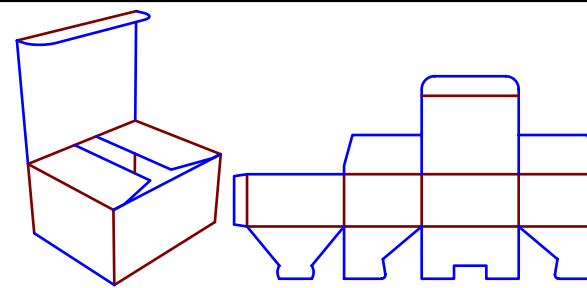
ECA022

Material 250-1000



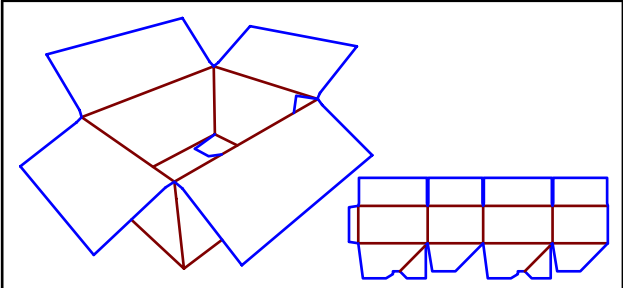
ECA023

Material 250-500



ECA024

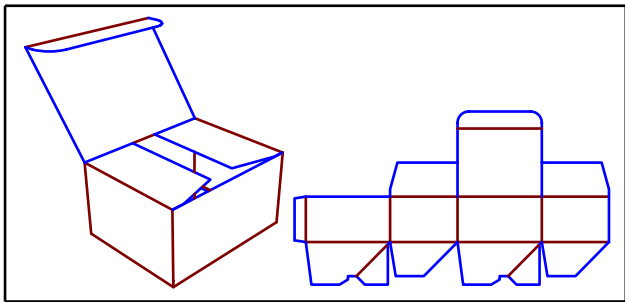
Material 250-500



ECA025

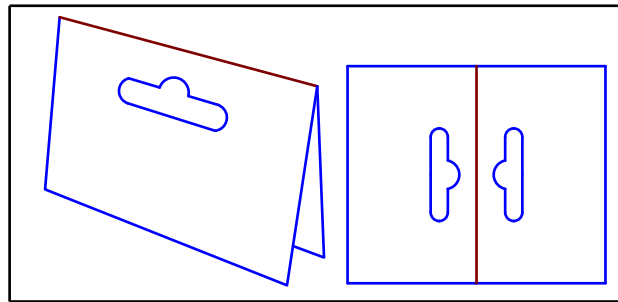
Material 250-500

# ECMA



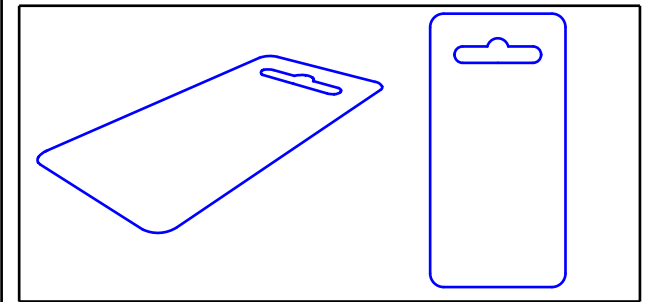
ECA026

Material 250-500



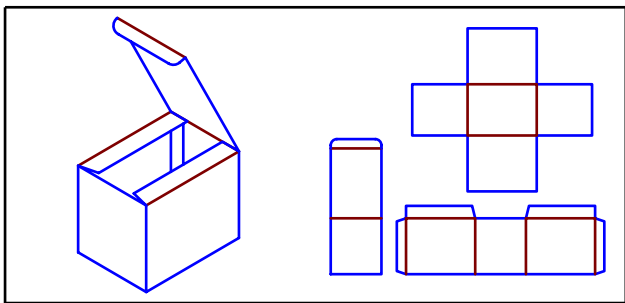
ECA027

Material 250-500



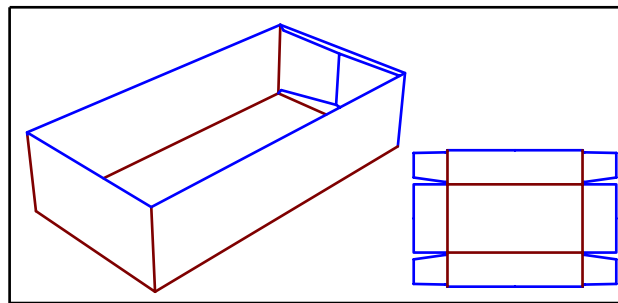
ECA028

Material 250-500



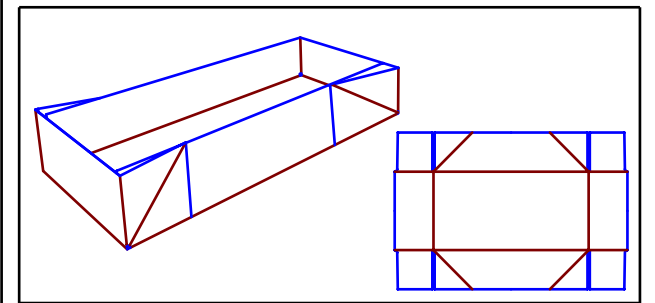
ECA029

Material 250-500



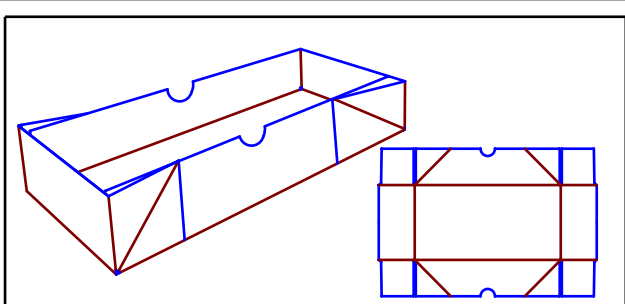
ECA030

Material 250-500



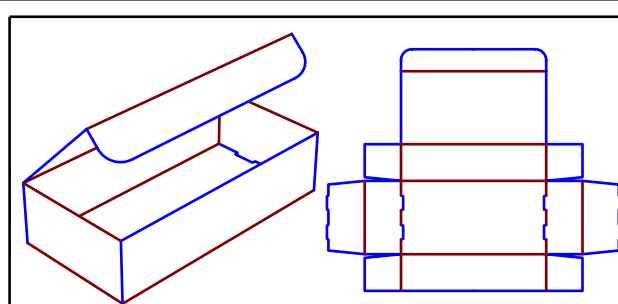
ECA031

Material 250-1000



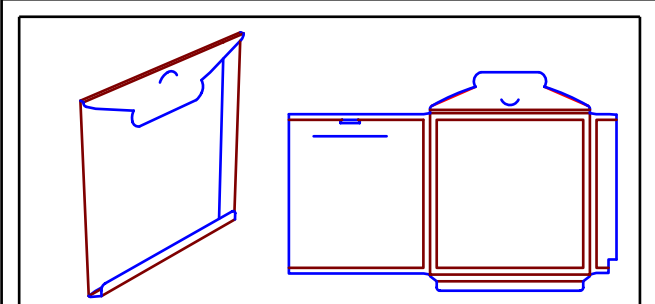
ECA032

Material 250-500



ECA033

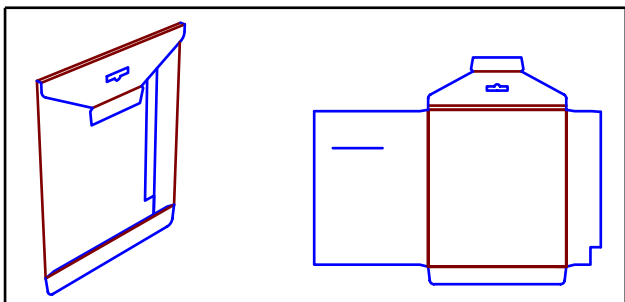
Material 250-500



ECA034

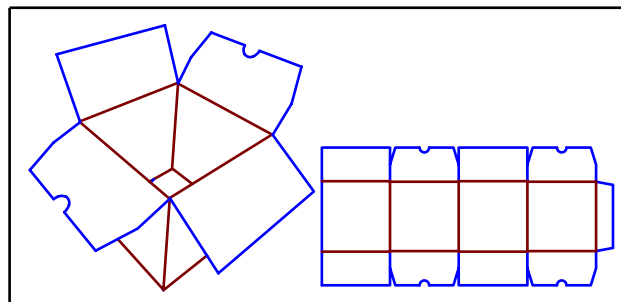
Material 250-500

# ECMA



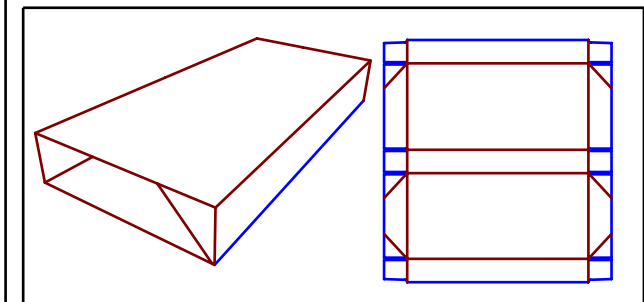
ECA035

Material 250-500



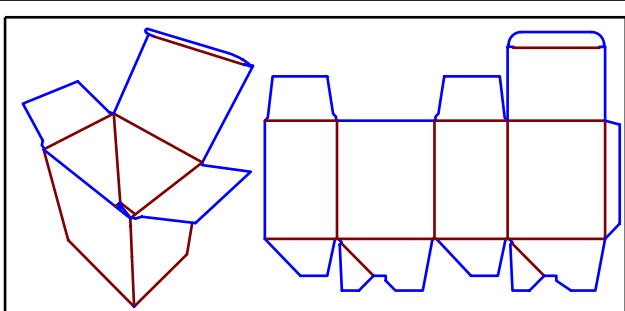
ECA036

Material 250-500



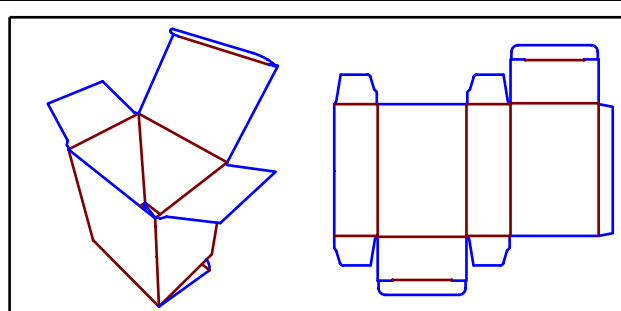
ECA037

Material 250-500



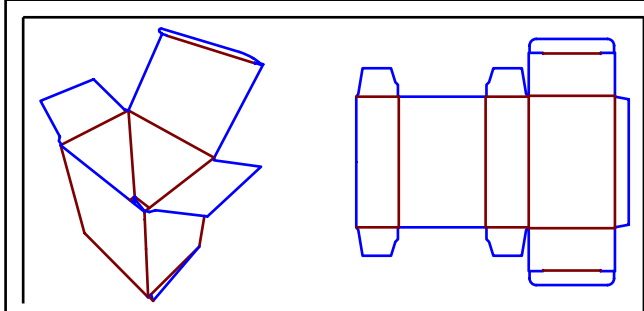
ECA038

Material 250-500



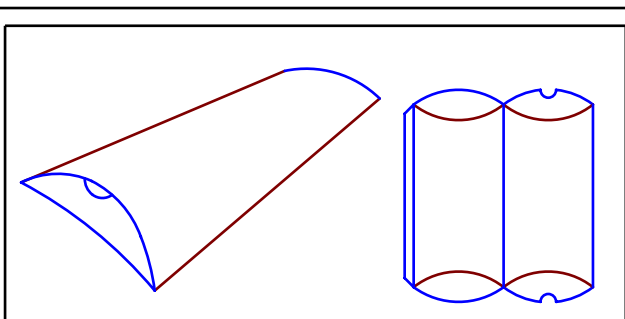
ECA039

Material 250-500



ECA040

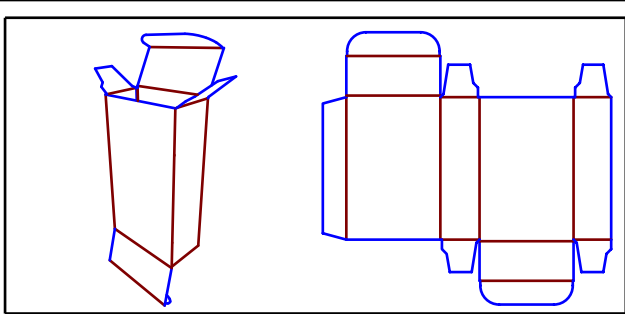
Material 250-1000



F7001 (pillow pack)

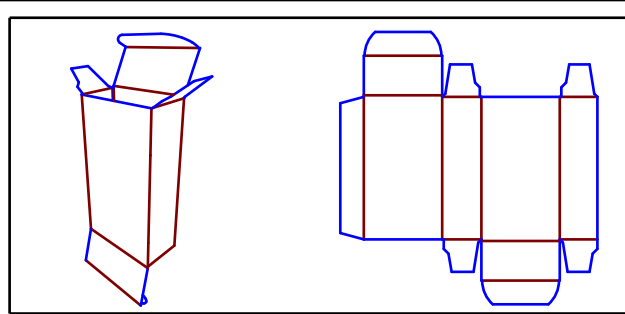
Material 250-500

# ECMA 2



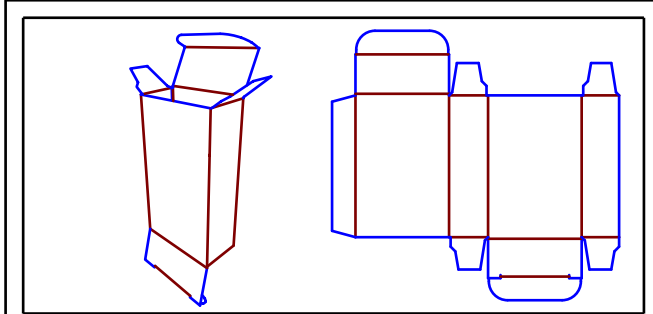
A2120A

Material 250-750 N,F,G,E



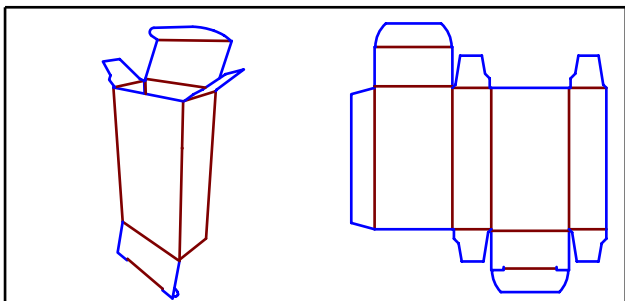
A2120B

Material 250-750 N,F,G,E



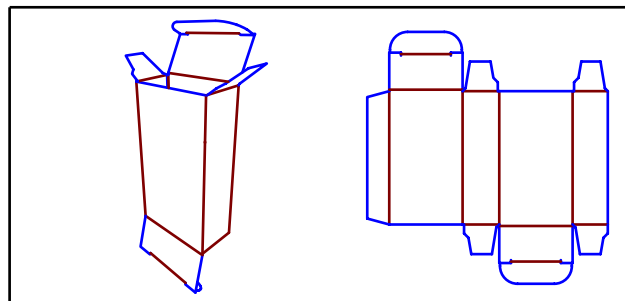
A2120C

Material 250-750 N,F,G,E



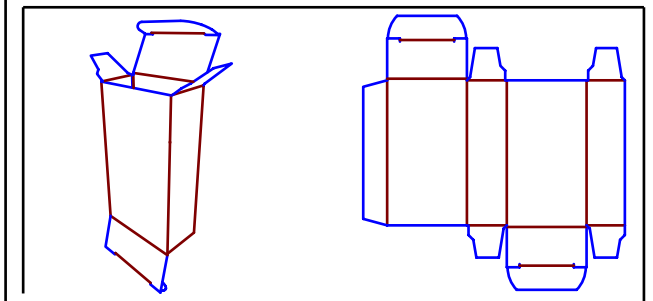
A2120D

Material 250-750 N,F,G,E



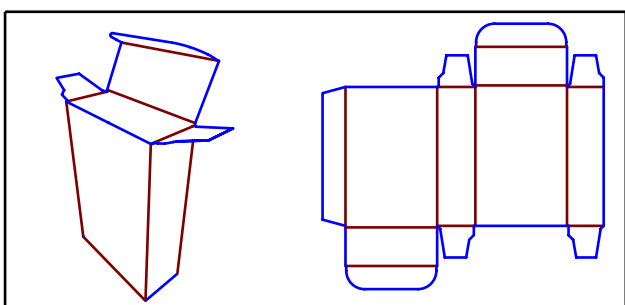
A2120E

Material 250-750 N,F,G,E



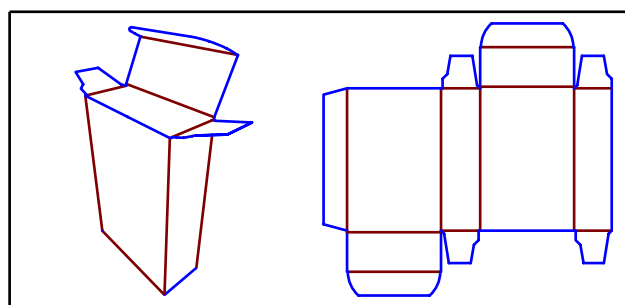
A2120F

Material 250-750 N,F,G,E



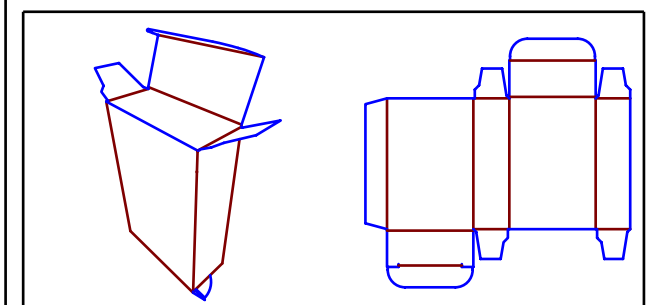
A2220A

Material 250-750 N,F,G,E



A2220B

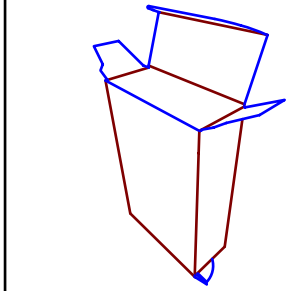
Material 250-750 N,F,G,E



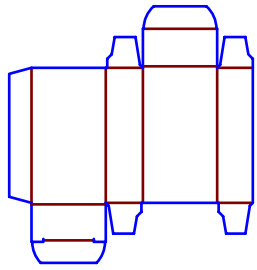
A2220C

Material 250-750 N,F,G,E

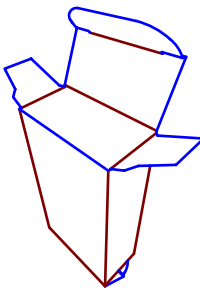
# ECMA 2



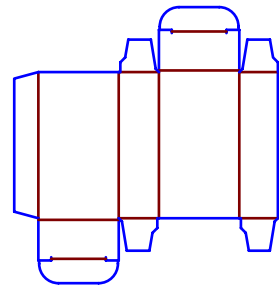
A2220D



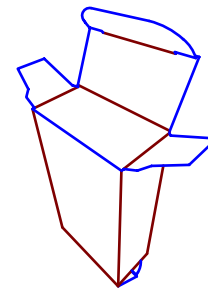
Material 250-750 N,F,G,E



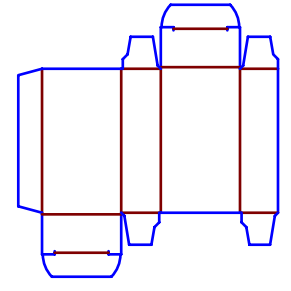
A2220E



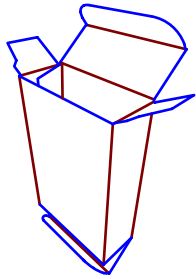
Material 250-750 N,F,G,E



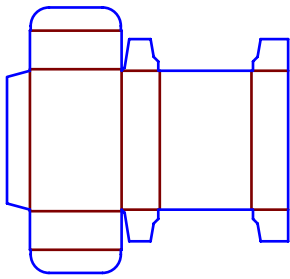
A2220E



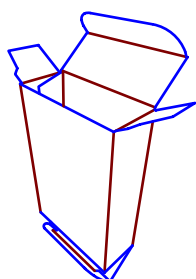
Material 250-750 N,F,G,E



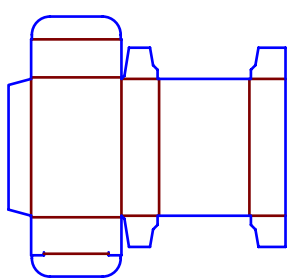
A2320A



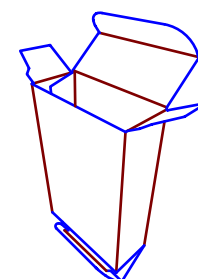
Material 250-750 N,F,G,E



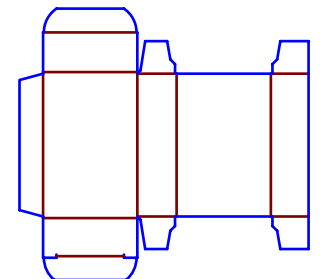
A2320C



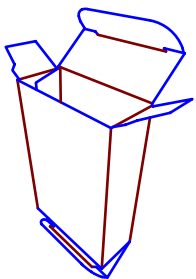
Material 250-750 N,F,G,E



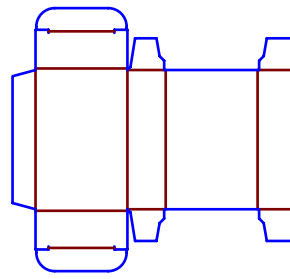
A2320D



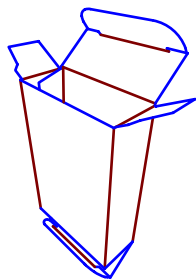
Material 250-750 N,F,G,E



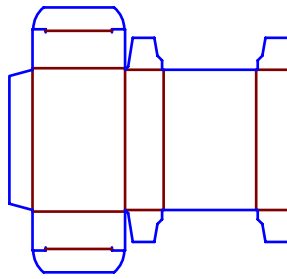
A2320E



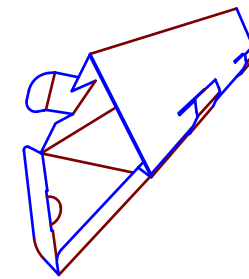
Material 250-750 N,F,G,E



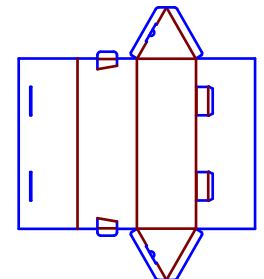
A2320F



Material 250-750 N,F,G,E

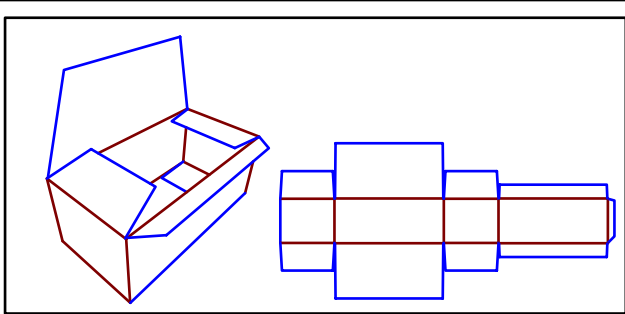


C1020



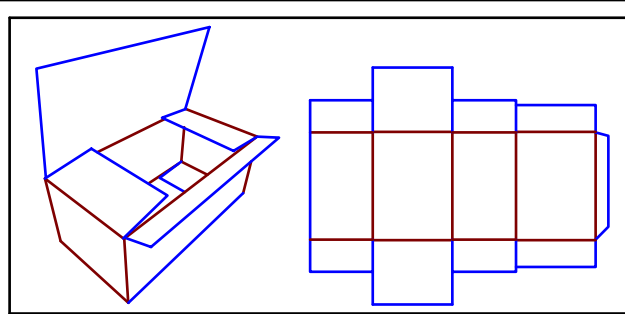
Material 250-750 N,F,G,E

# ECMA



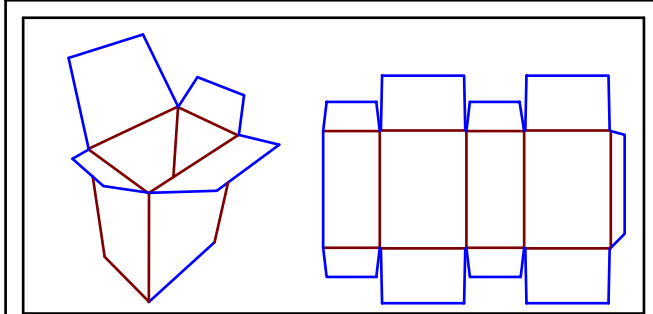
**A0111 (Skillet with economy chamfered flaps)**

**Material 250-750 N,F,G,E**



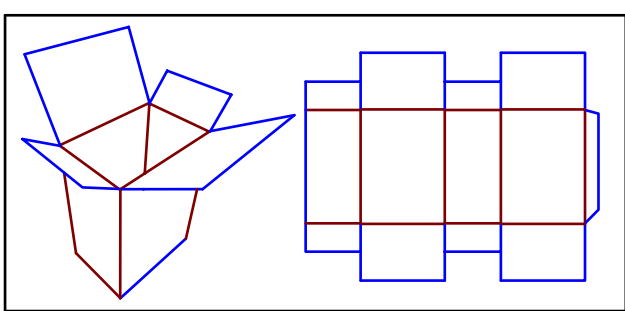
**A0111 (Skillet with economy square flaps)**

**Material 250-750 N,F,G,E**



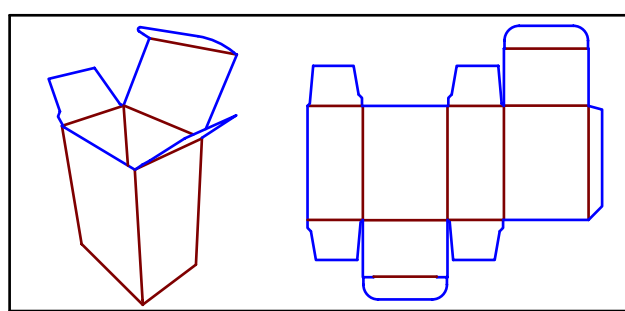
**A0111 (Skillet with full chamfered flaps))**

**Material 250-750 N,F,G,E**



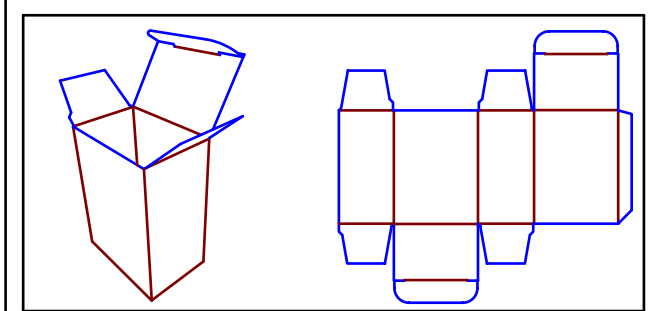
**A0111 (Skillet with full square flaps)**

**Material 250-750 N,F,G,E**



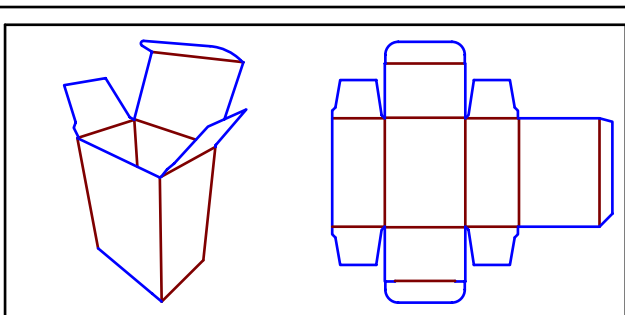
**A2120 (RTE with friction top tuck)**

**Material 250-750 N,F,G,E**



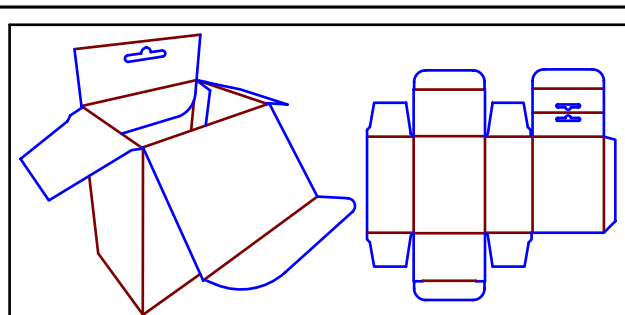
**A2120 (RTE with slitlock top tuck)**

**Material 250-750 N,F,G,E**



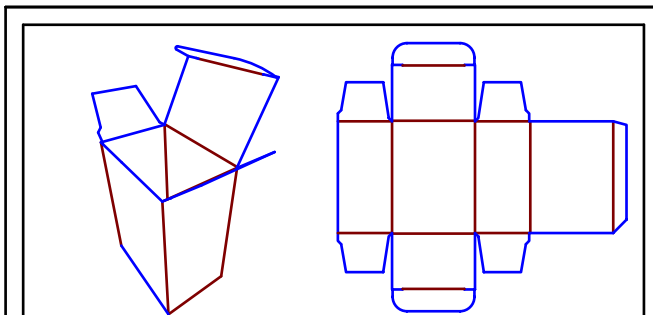
**A2120 (STE with friction top tuck)**

**Material 250-750 N,F,G,E**



**A2120 (STE with hanging card)**

**Material 250-750 N,F,G,E**

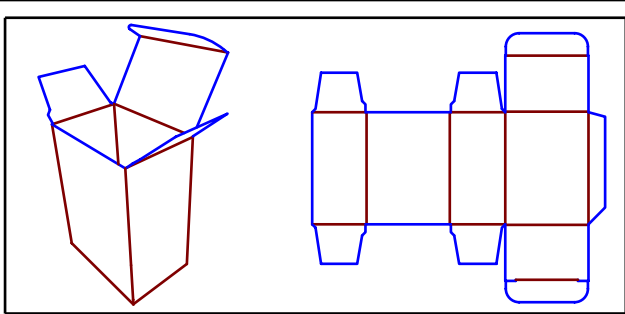


**A2120 (STE with slitlock top tuck)**

**Material 250-750 N,F,G,E**

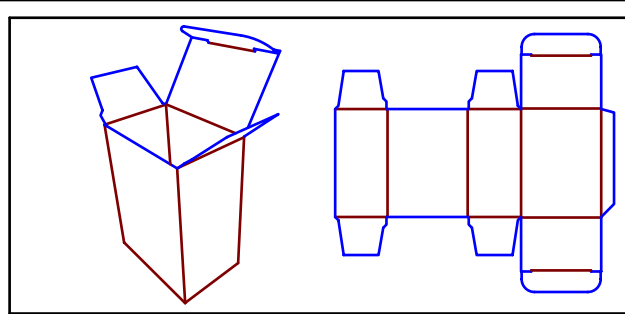


# ECMA



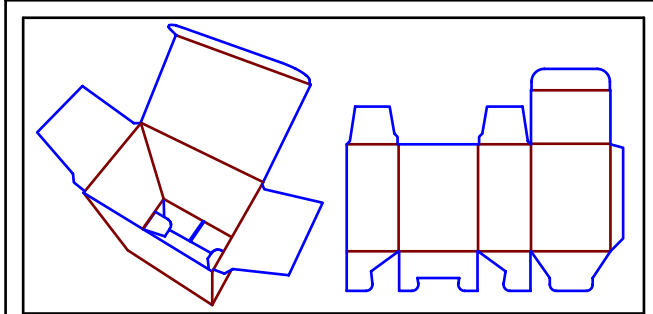
**A2320 (AERO with friction top tuck)**

**Material 250-750 N,F,G,E**



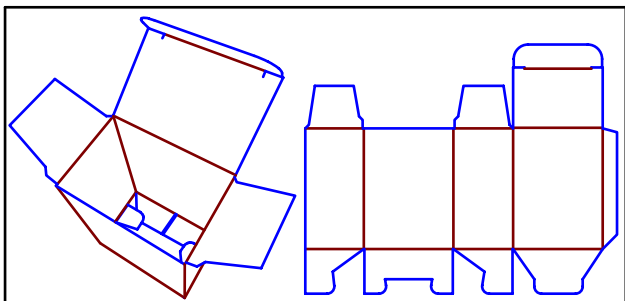
**A2320 (AERO with slitlock top tuck)**

**Material 250-750 N,F,G,E**



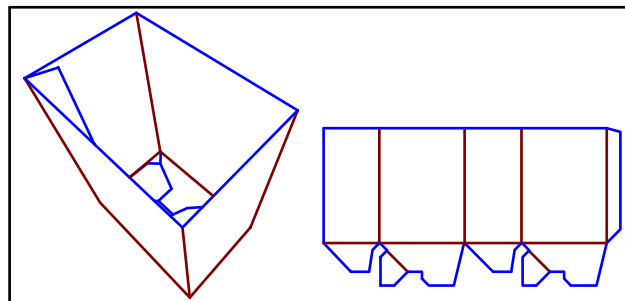
**A5520 (Snap lock with friction top tuck)**

**Material 250-750 N,F,G,E**



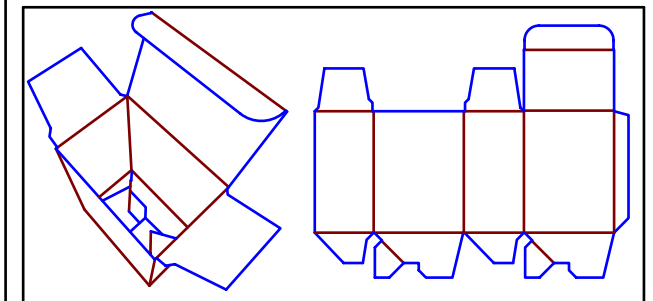
**A5520 (Snap lock with slitlock top tuck)**

**Material 250-750 N,F,G,E**



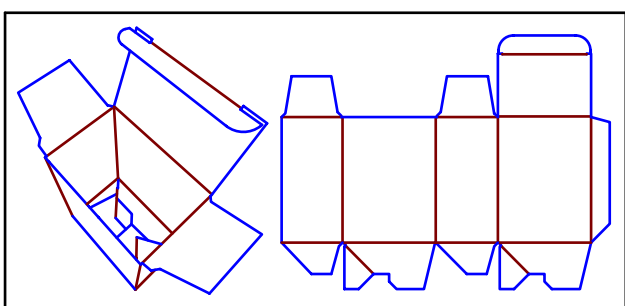
**A6001 (Crash lock with open top)**

**Material 250-750 N,F,G,E**



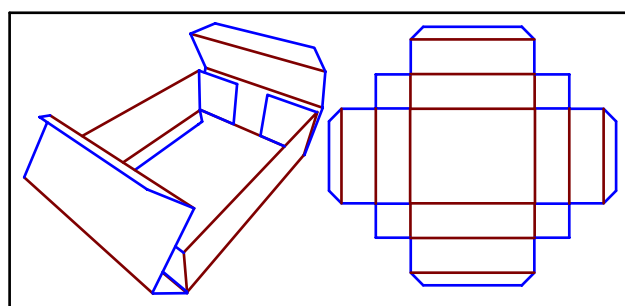
**A6020 (Crash lock with friction top tuck)**

**Material 250-750 N,F,G,E**



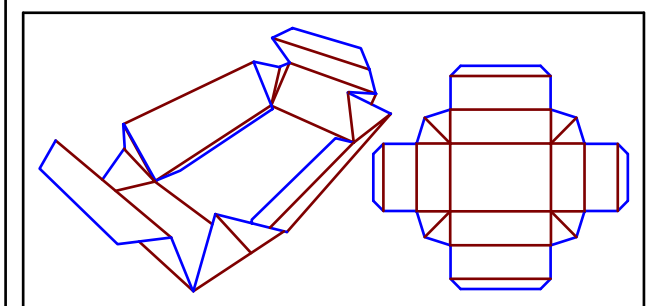
**A2120 (STE with friction top tuck)**

**Material 250-750 N,F,G,E**



**B1010 (Self locking tray)**

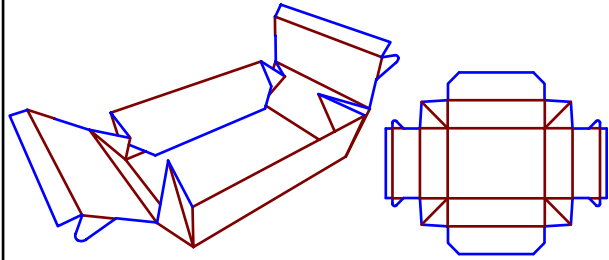
**Material 250-750 N,F,G,E**



**B1011 (self locking tray)**

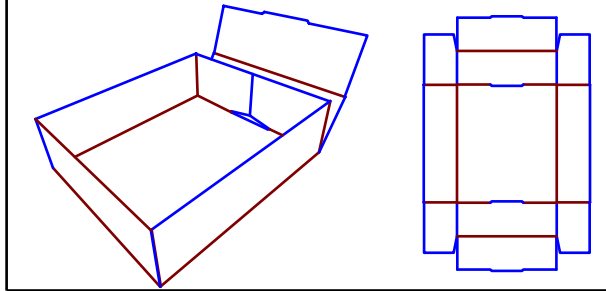
**Material 250-750 N,F,G,E**

# ECMA



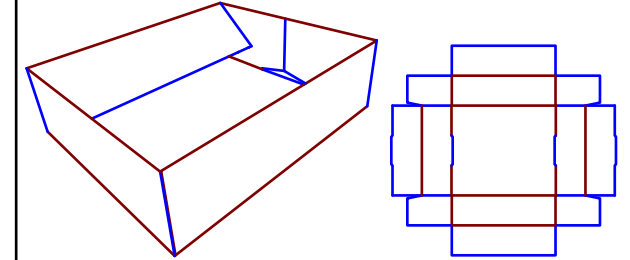
**B1021 (self locking tray)**

**Material 250-750 N,F,G,E**



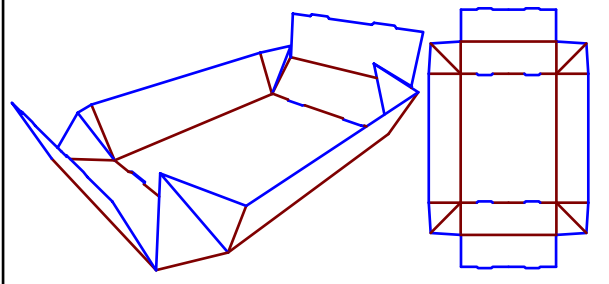
**B2001 (Self locking tray)**

**Material 250-750 N,F,G,E**



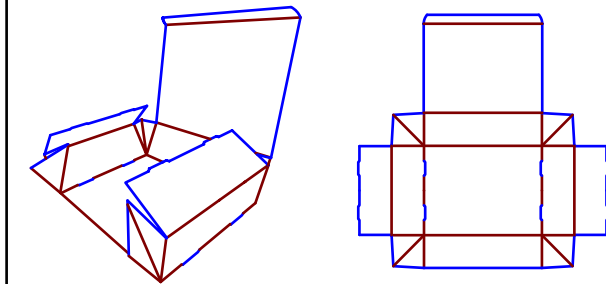
**B2020 (Self locking tray with return)**

**Material 250-750 N,F,G,E**



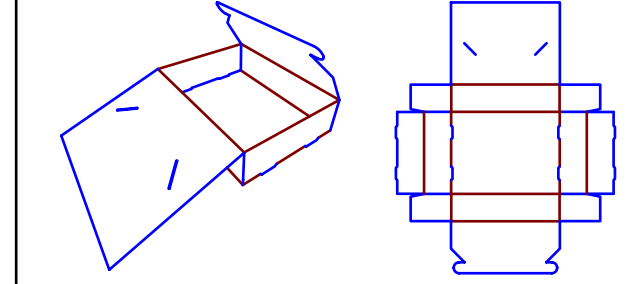
**B2111 (self locking tray)**

**Material 250-750 N,F,G,E**



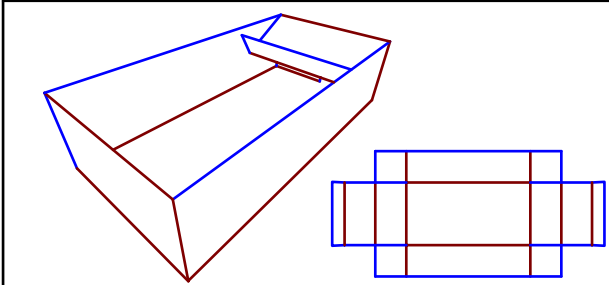
**B2150 (Self locking box and lid)**

**Material 250-750 N,F,G,E**



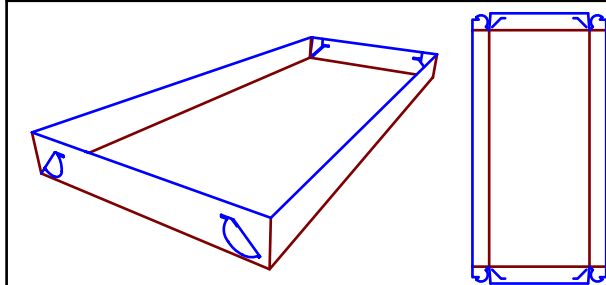
**B2152 (Self locking tray with lid)**

**Material 250-750 N,F,G,E**



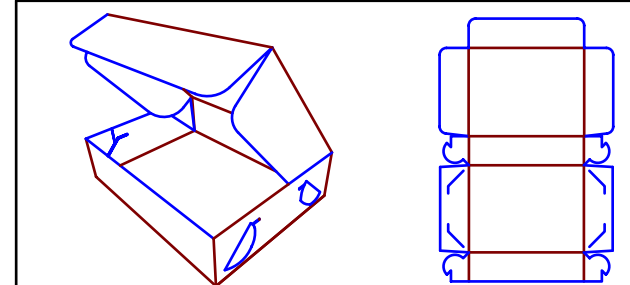
**B2201 (Self locking tray)**

**Material 250-750 N,F,G,E**



**B3310 (Self locking tray)**

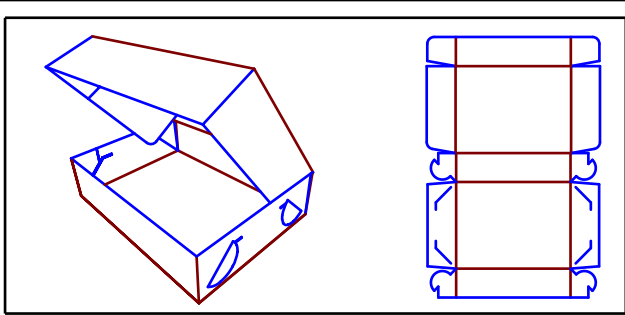
**Material 250-750 N,F,G,E**



**B3353 (Self locking box and lid)**

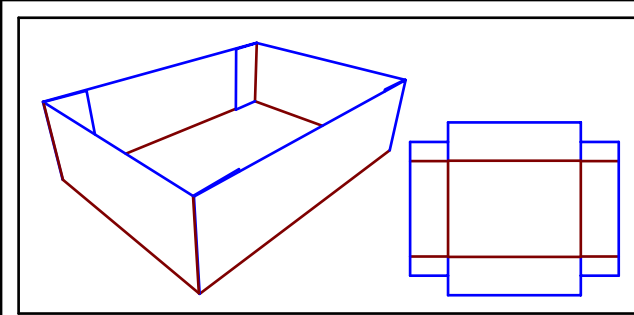
**Material 250-750 N,F,G,E**

# ECMA



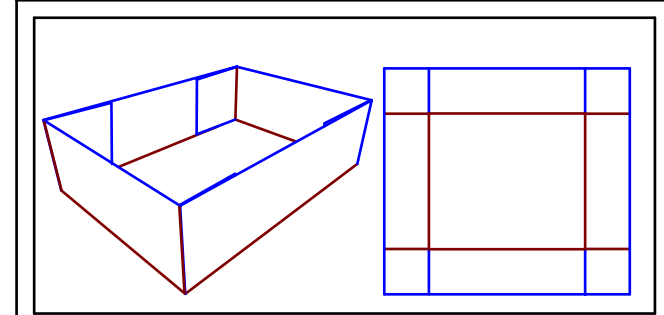
**B3360 (Self locking box and lid)**

**Material 250-750 N,F,G,E**



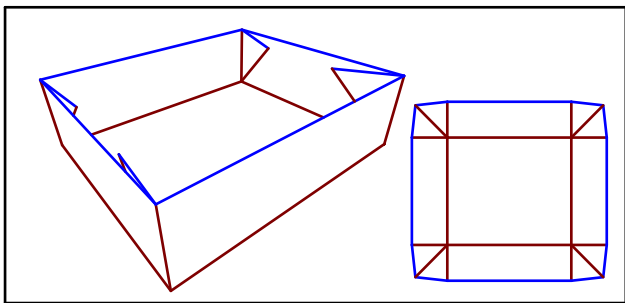
**B4010 (Glued tray)**

**Material 250-750 N,F,G,E**



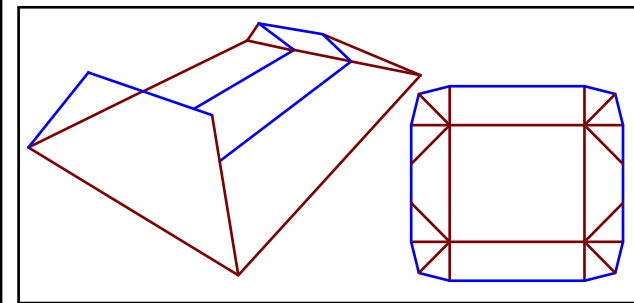
**B4010a (Glued tray)**

**Material 250-750 N,F,G,E**



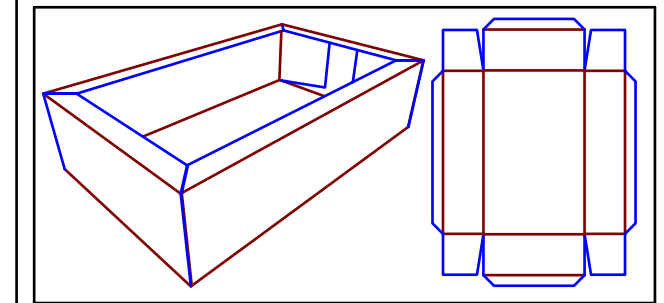
**B4011 (Glued tray)**

**Material 250-750 N,F,G,E**



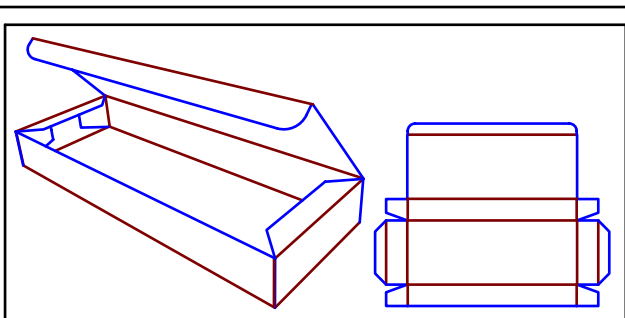
**B4021 (Glued tray)**

**Material 250-750 N,F,G,E**



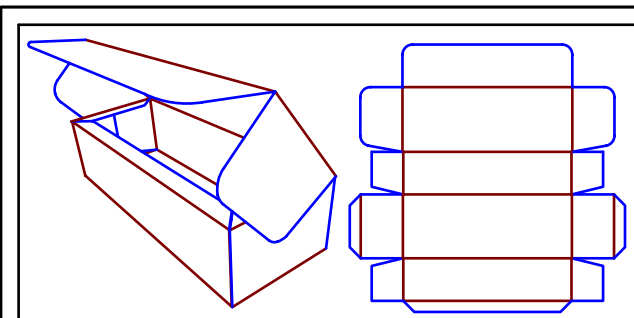
**B4110 (Glued tray)**

**Material 250-750 N,F,G,E**



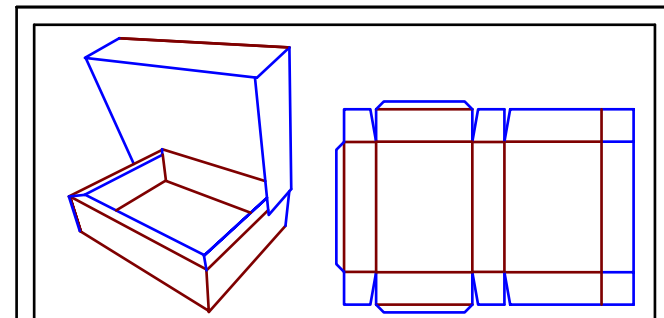
**B4150 (Glued tray with lid)**

**Material 250-750 N,F,G,E**



**B4153 (Glued tray with lid)**

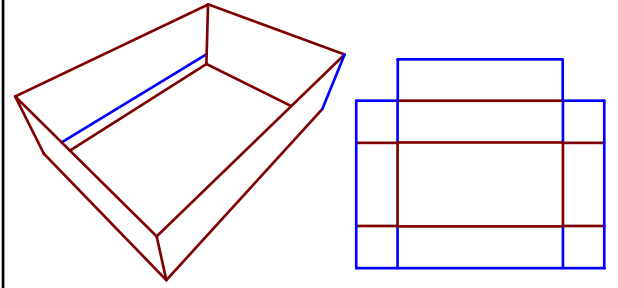
**Material 250-750 N,F,G,E**



**B4160 (Glued tray with lid)**

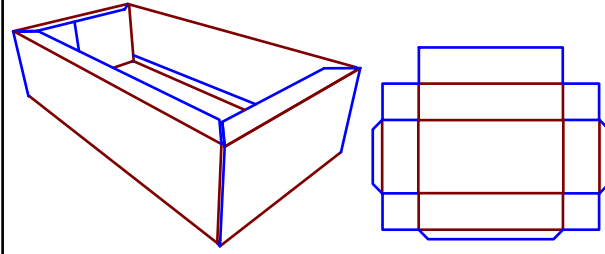
**Material 250-750 N,F,G,E**

# ECMA



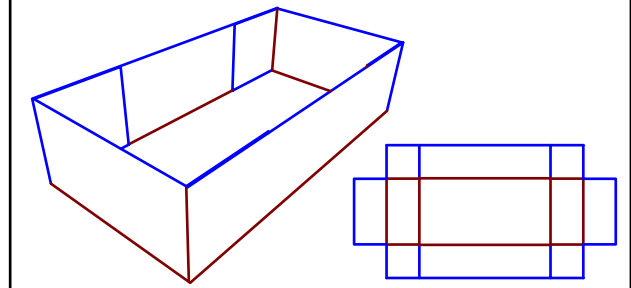
**B4210 (Glued tray)**

**Material 250-750 N,F,G,E**



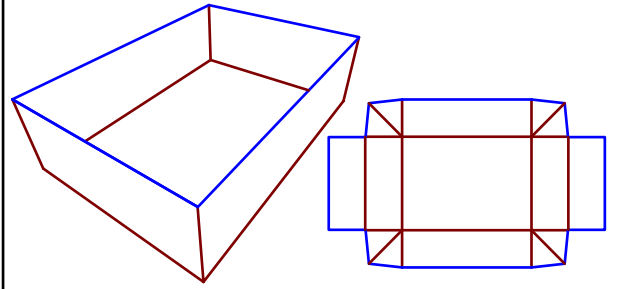
**B4310 (Glued tray)**

**Material 250-750 N,F,G,E**



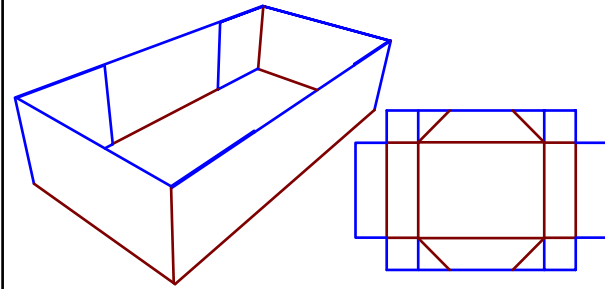
**B4410 (Glued tray)**

**Material 250-750 N,F,G,E**



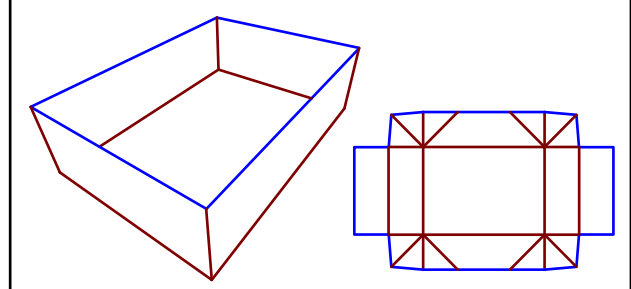
**B4411 (Glued tray)**

**Material 250-750 N,F,G,E**



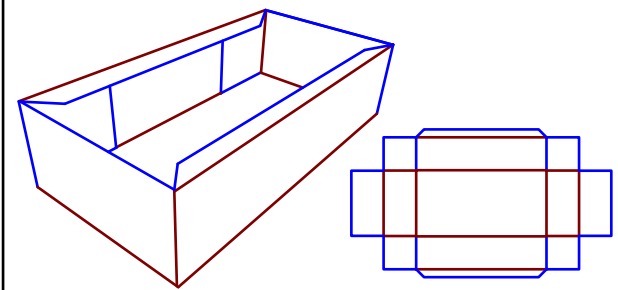
**B4420 (Glued tray)**

**Material 250-750 N,F,G,E**



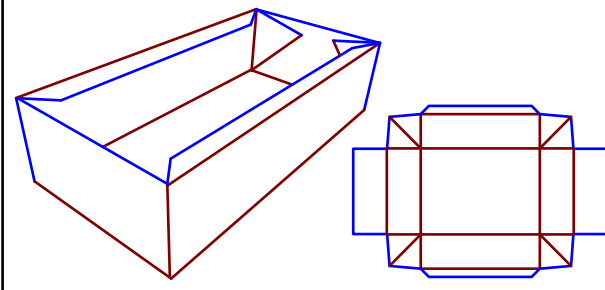
**B4421 (Glued tray)**

**Material 250-750 N,F,G,E**



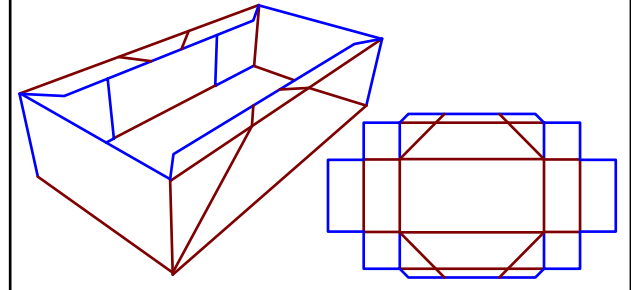
**B4510 (Glued tray)**

**Material 250-750 N,F,G,E**



**B4511 (Glued tray)**

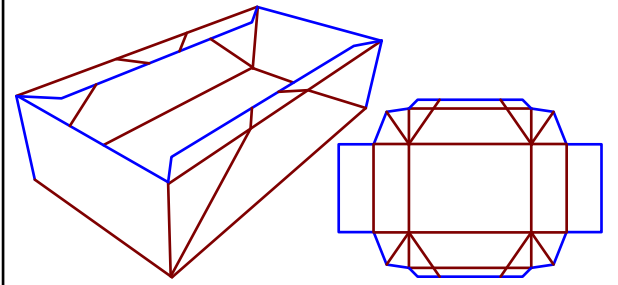
**Material 250-750 N,F,G,E**



**B4520 (Glued tray)**

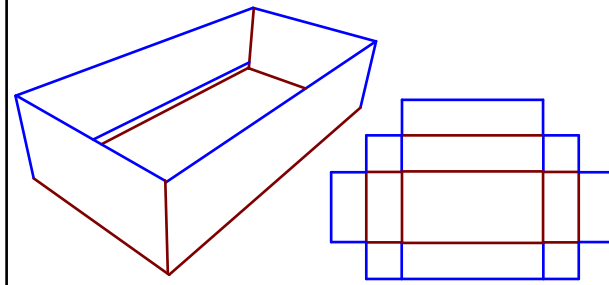
**Material 250-750 N,F,G,E**

# ECMA



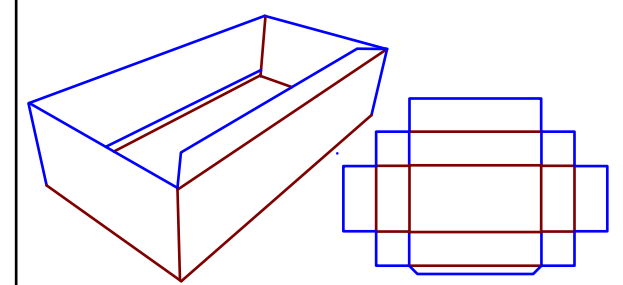
**B4521 (Glued tray)**

**Material 250-750 N,F,G,E**



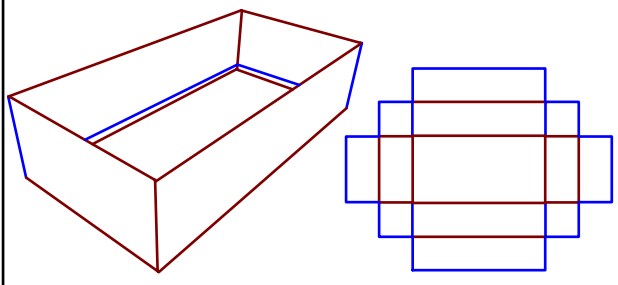
**B4610 (Self locking tray)**

**Material 250-750 N,F,G,E**



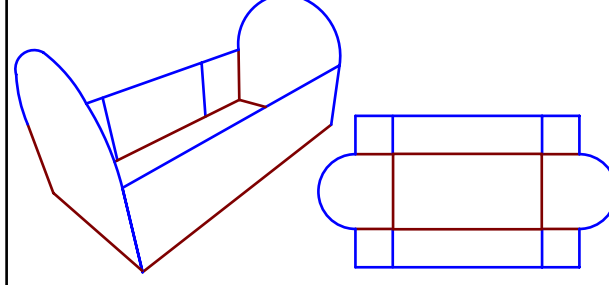
**B4710 (Self locking tray)**

**Material 250-750 N,F,G,E**



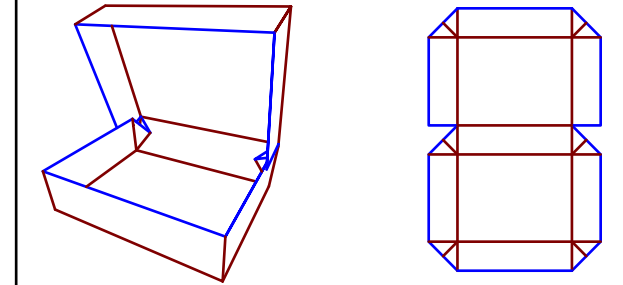
**B4810 (Self locking tray)**

**Material 250-750 N,F,G,E**



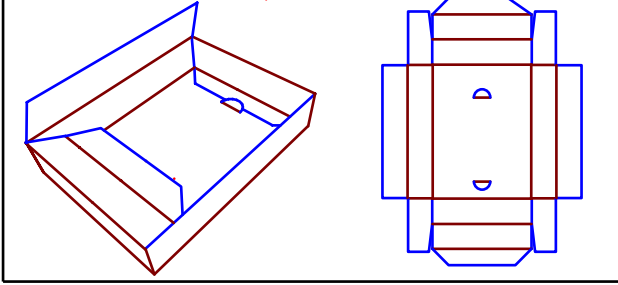
**B4910 (Glued tray)**

**Material 250-750 N,F,G,E**



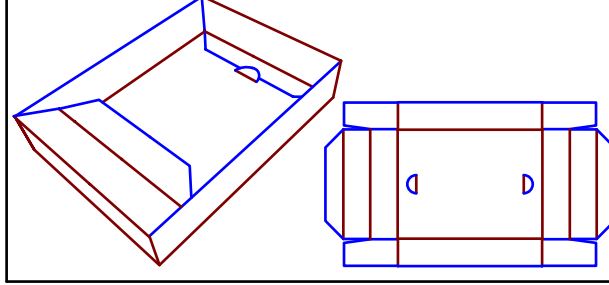
**B6021 (Glued tray)**

**Material 250-750 N,F,G,E**



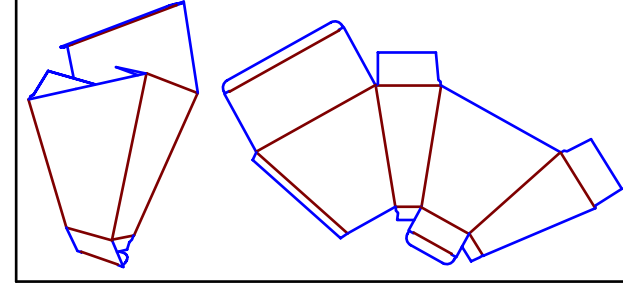
**C1010 (Clip locking tray with returns)**

**Material 250-750 N,F,G,E**



**C2110 (Clip locking tray)**

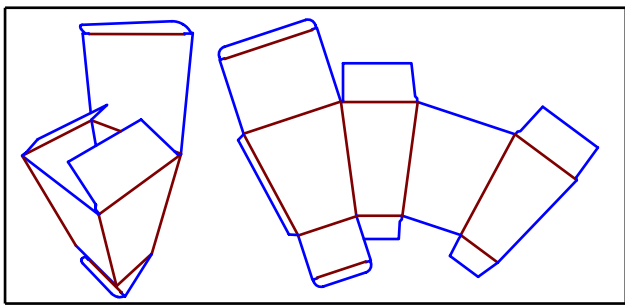
**Material 250-750 N,F,G,E**



**C2120 (Tapered carton with tuck base and tuck top reverse)**

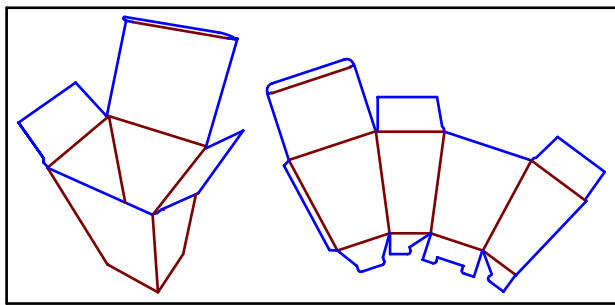
**Material 250-1000**

# ECMA



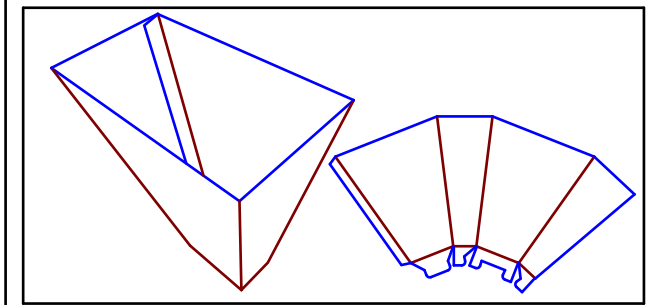
C2120 (Tapered carton with tuck base and tuck top)

Material 350-1000



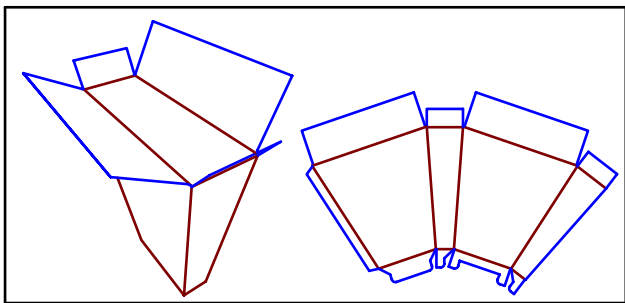
C2155 (Tapered carton with envelope base and tuck top)

Material 350-1000



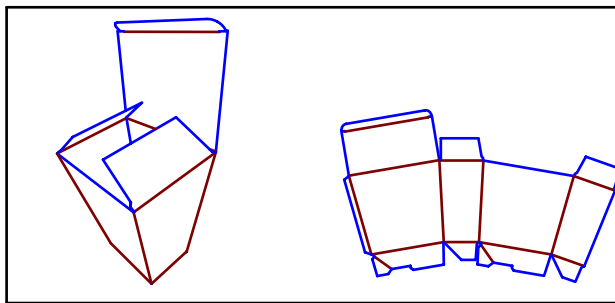
C2155 (Tapered carton with envelope base no top flaps)

Material 350-1000



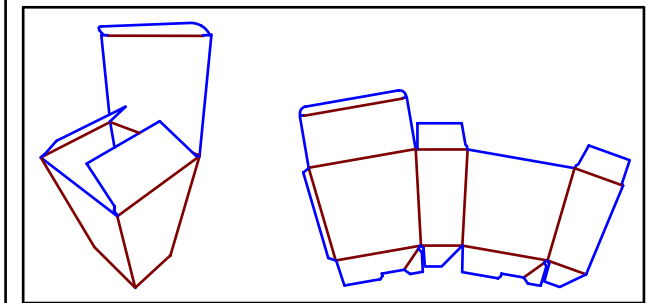
C2155 (Tapered carton with envelope base with top flaps)

Material 350-1000



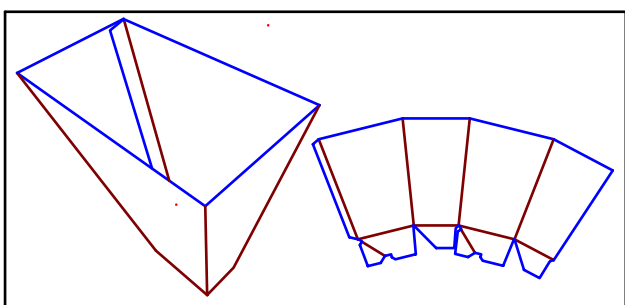
C2160 (Tapered carton with crash base and tuck top)

Material 350-1000



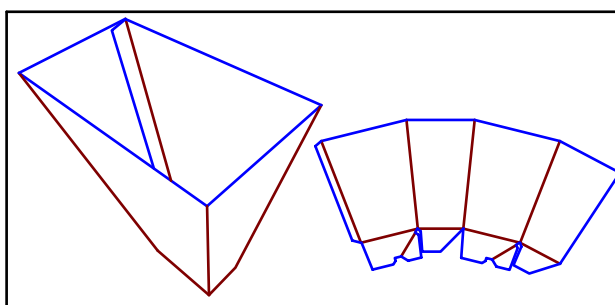
C2160 (Tapered carton with crash base and tuck top)1

Material 350-1000



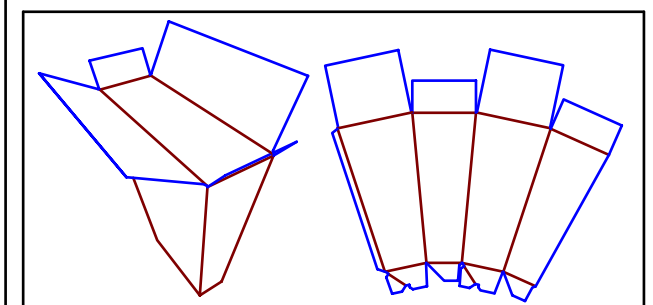
C2160 (Tapered carton with crash base no top flaps)

Material 350-1000



C2160 (Tapered carton with crash base no top flaps)1

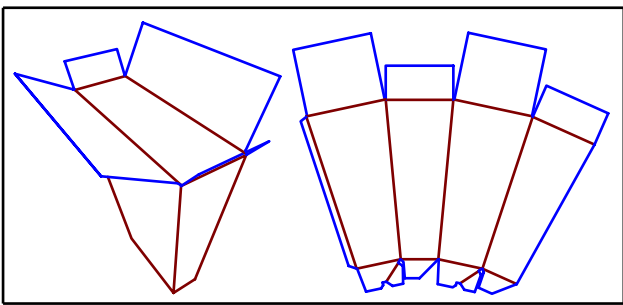
Material 350-1000



C2160 (Tapered carton with crash base with top flaps)

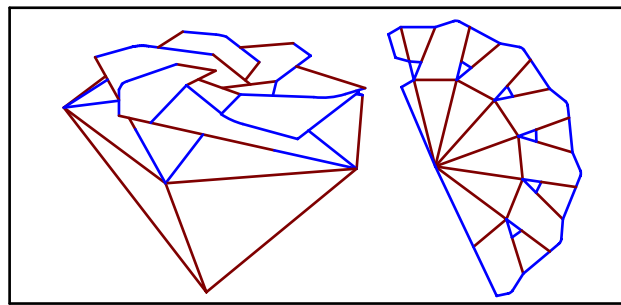
Material 350-1000

# ECMA



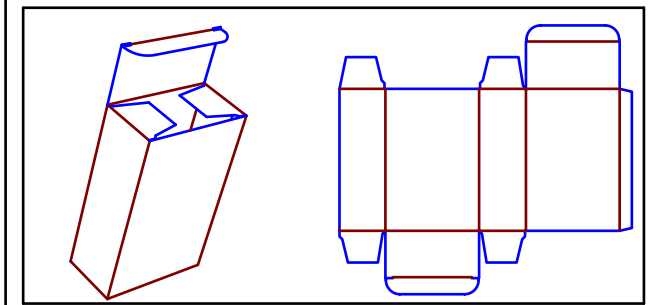
C2160 (Tapered carton with crash base with top flaps)1

Material 350-1000



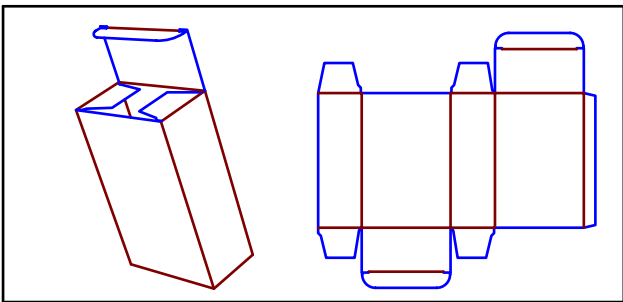
C5280 Pyramid

Material None



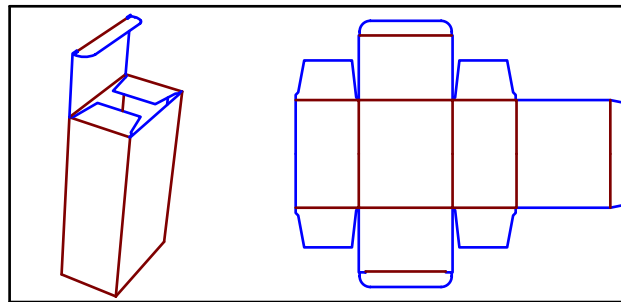
ECA001

Material 250-500



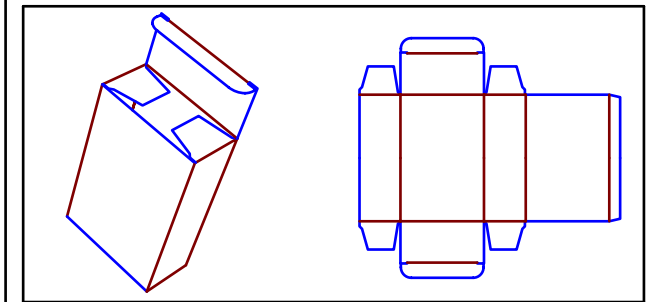
ECA002

Material 250-500



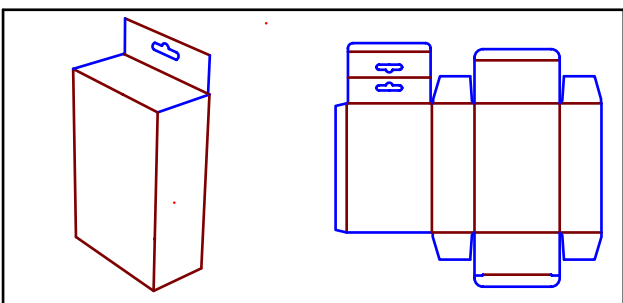
ECA003

Material 250-500



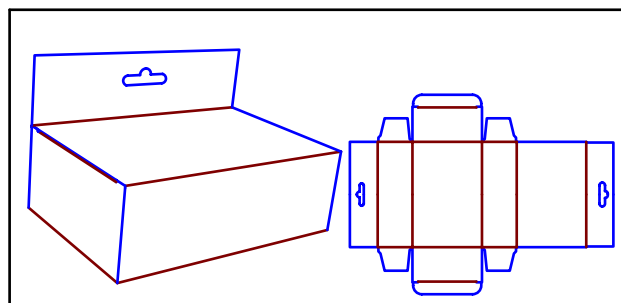
ECA004

Material 350-1000



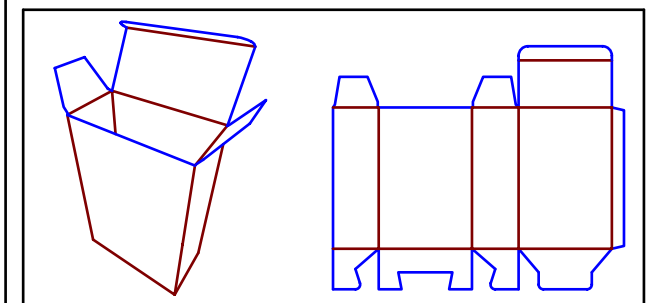
ECA005

Material 250-500



ECA006

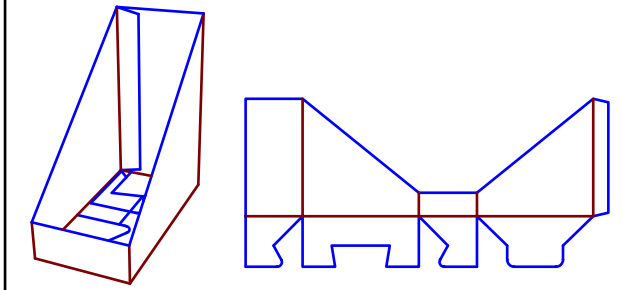
Material 250-500



ECA007

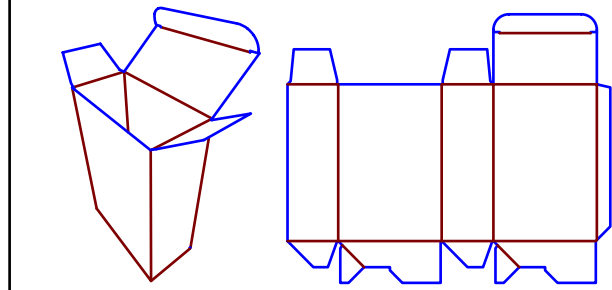
Material 250-500

# ECMA



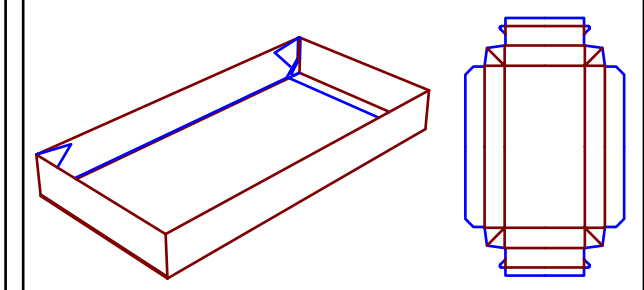
ECA008

Material 250-500



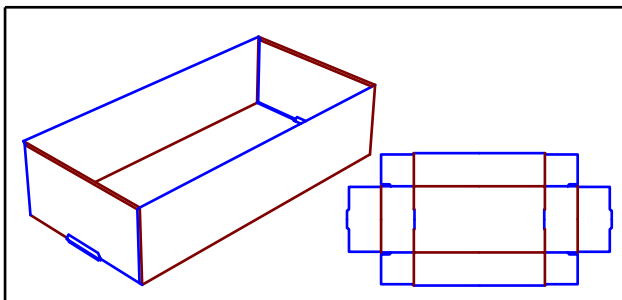
ECA009

Material None



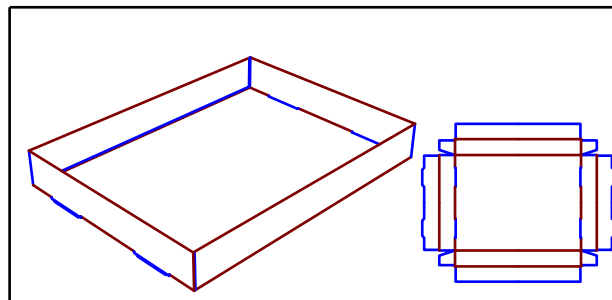
ECA010

Material 250-500



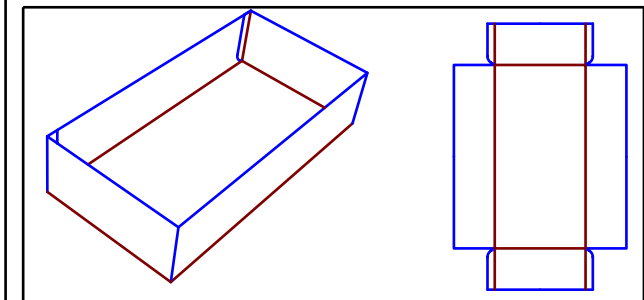
ECA011

Material 250-500



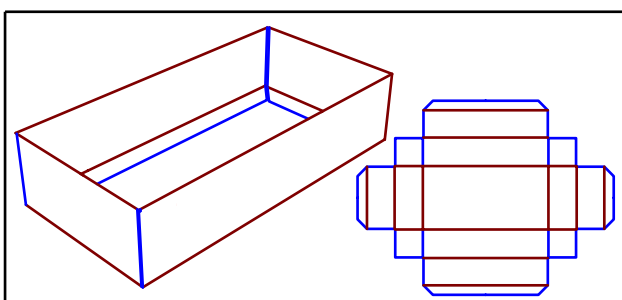
ECA012

Material 250-500



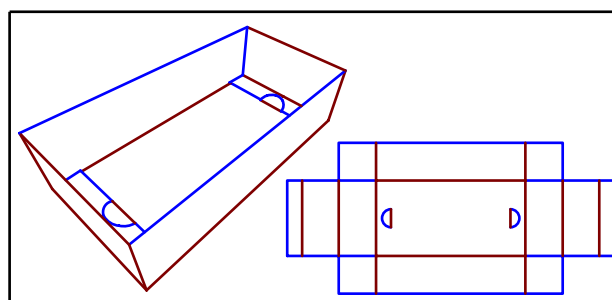
ECA013

Material 350-1000



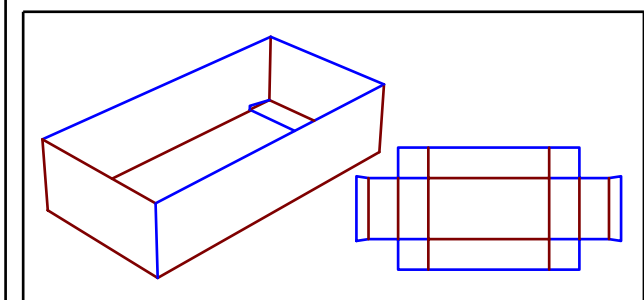
ECA014

Material 250-500



ECA015

Material 250-500

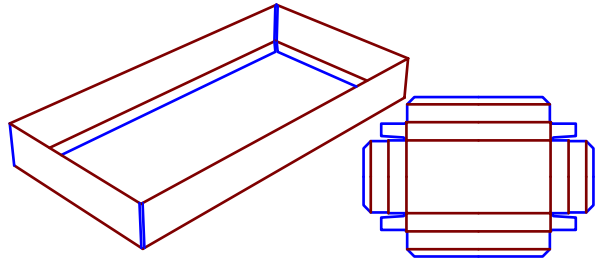


ECA016

Material 250-500

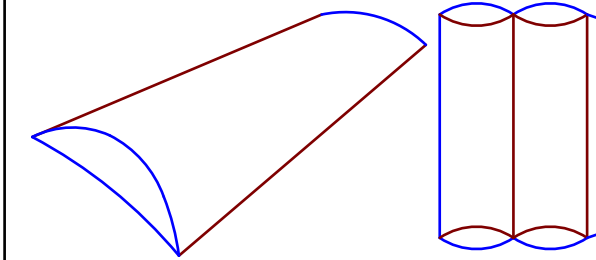


# ECMA



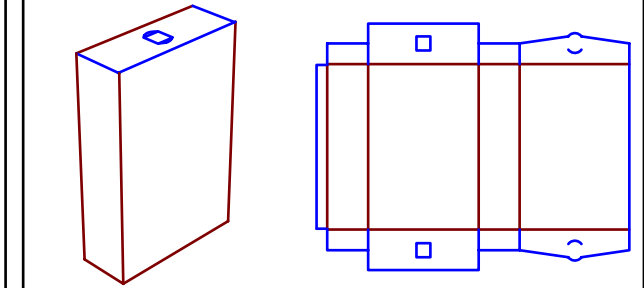
ECA017

Material 250-500



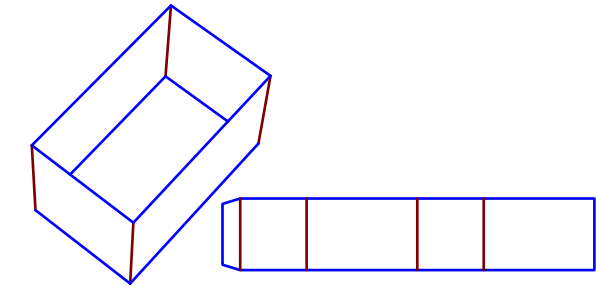
ECA018

Material 250-500



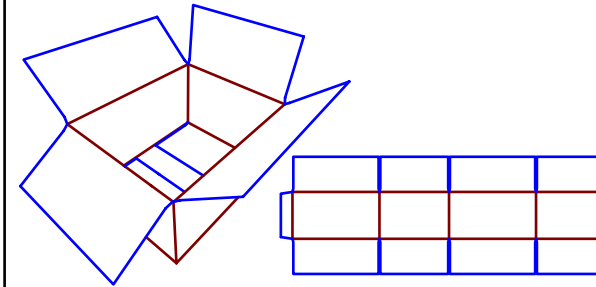
ECA019

Material 250-500



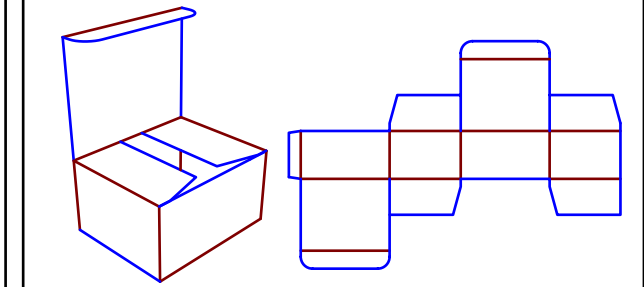
ECA020

Material 250-500



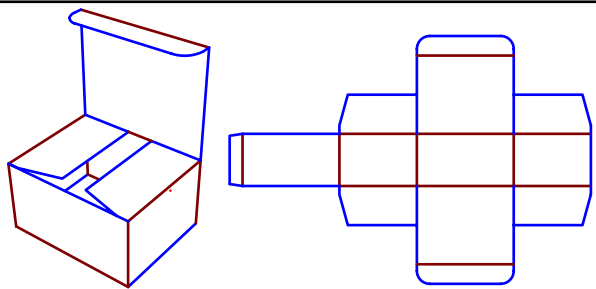
ECA021

Material 250-500



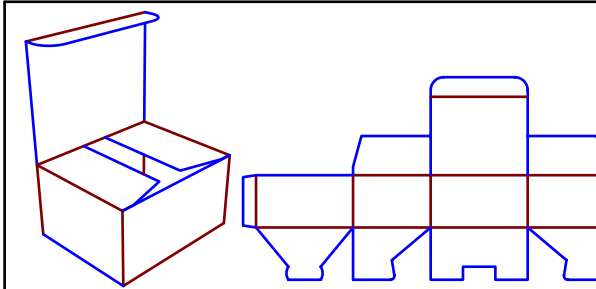
ECA022

Material 250-1000



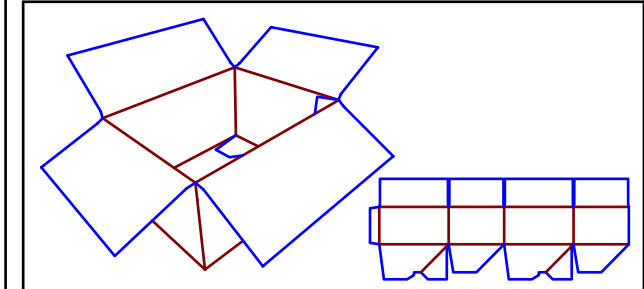
ECA023

Material 250-500



ECA024

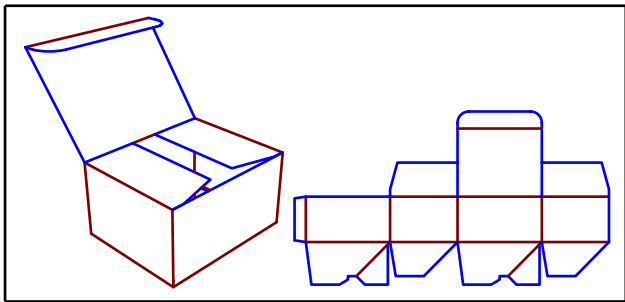
Material 250-500



ECA025

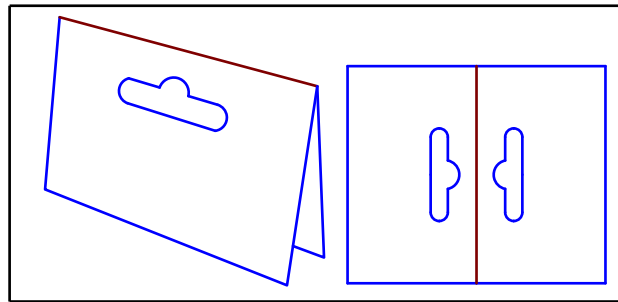
Material 250-500

# ECMA



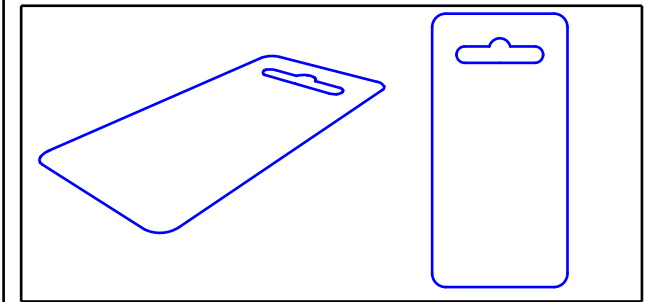
ECA026

Material 250-500



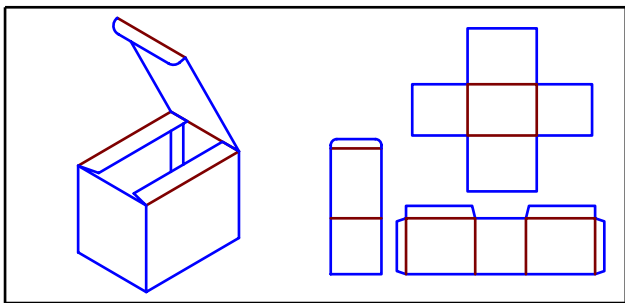
ECA027

Material 250-500



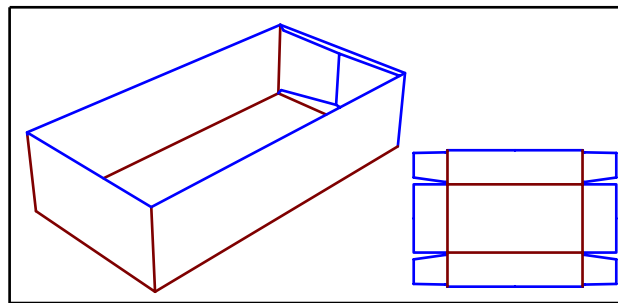
ECA028

Material 250-500



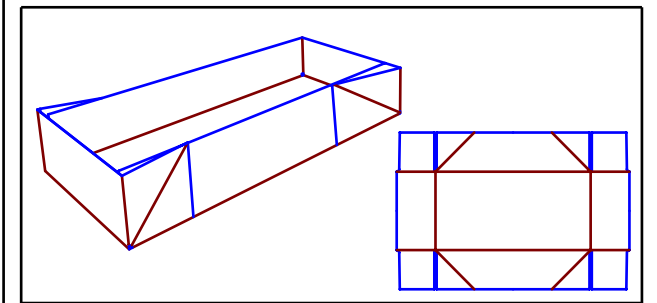
ECA029

Material 250-500



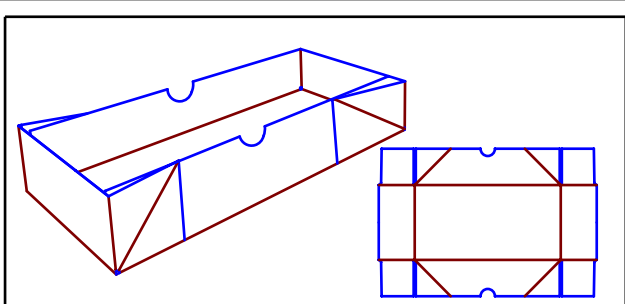
ECA030

Material 250-500



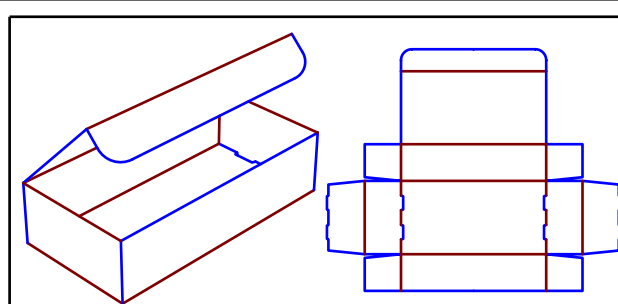
ECA031

Material 250-1000



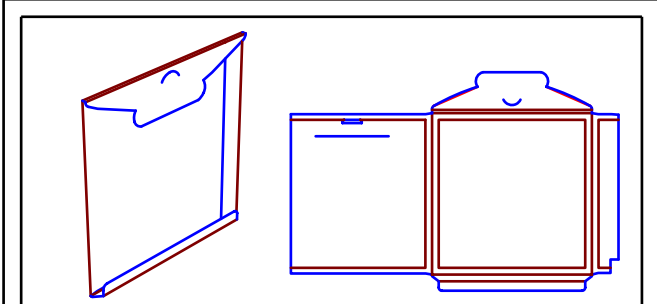
ECA032

Material 250-500



ECA033

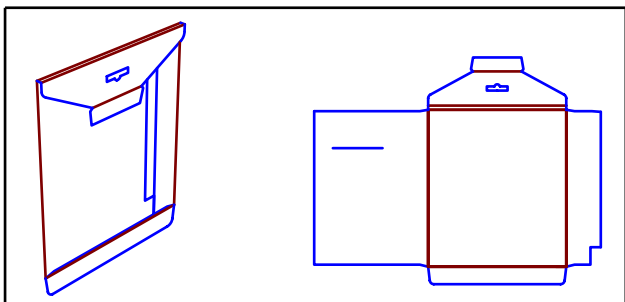
Material 250-500



ECA034

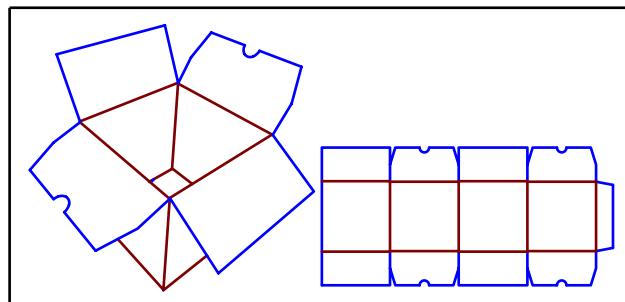
Material 250-500

# ECMA



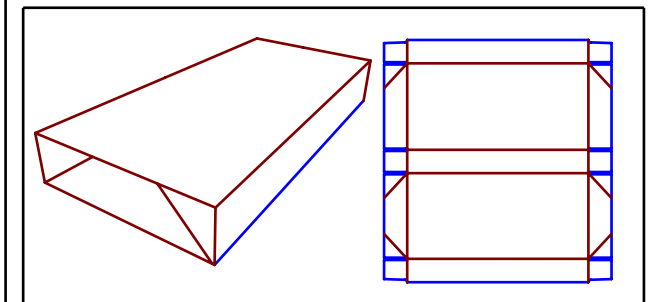
ECA035

Material 250-500



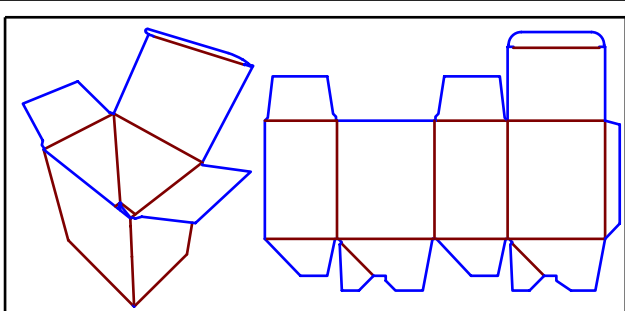
ECA036

Material 250-500



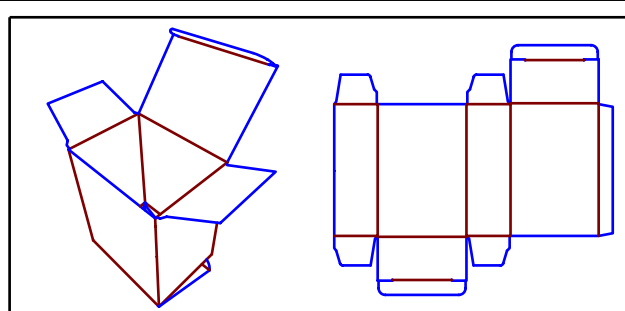
ECA037

Material 250-500



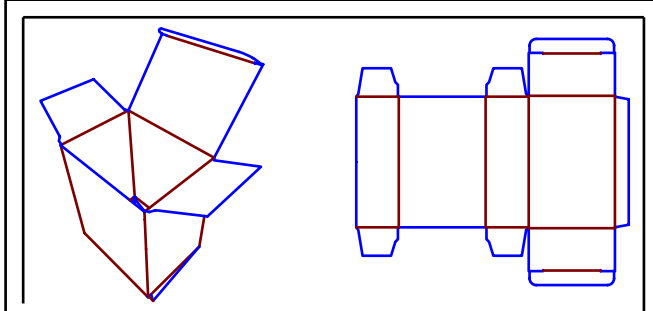
ECA038

Material 250-500



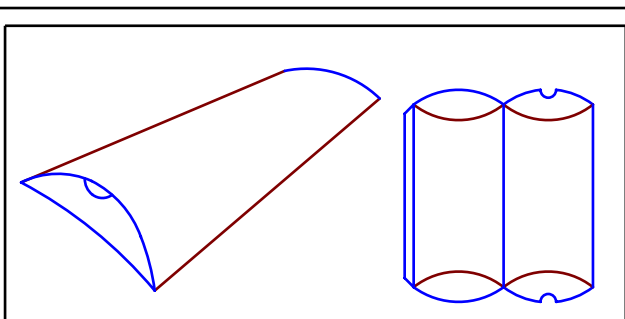
ECA039

Material 250-500



ECA040

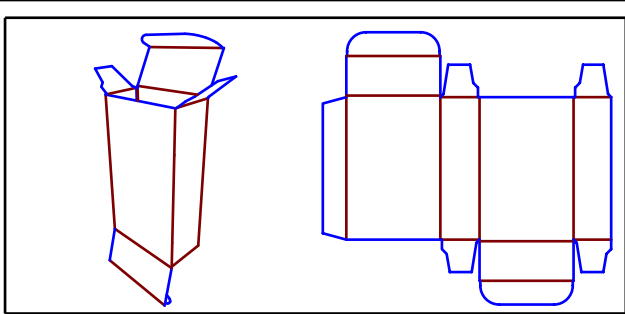
Material 250-1000



F7001 (pillow pack)

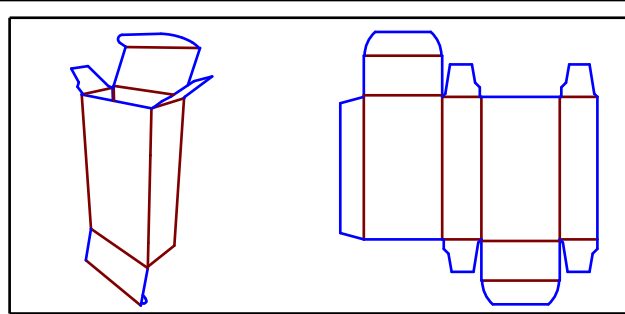
Material 250-500

# ECMA 2



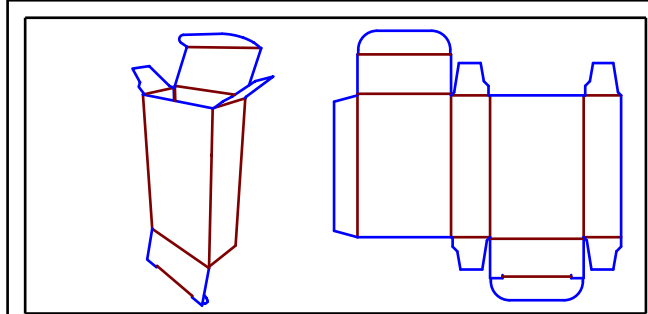
A2120A

Material 250-750 N,F,G,E



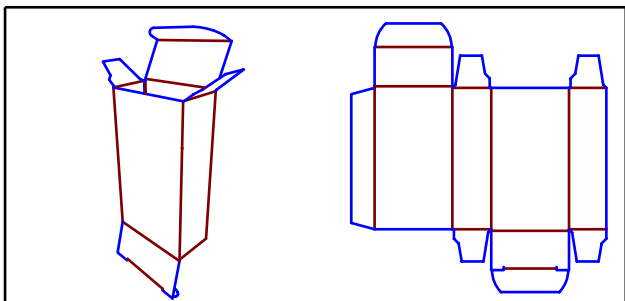
A2120B

Material 250-750 N,F,G,E



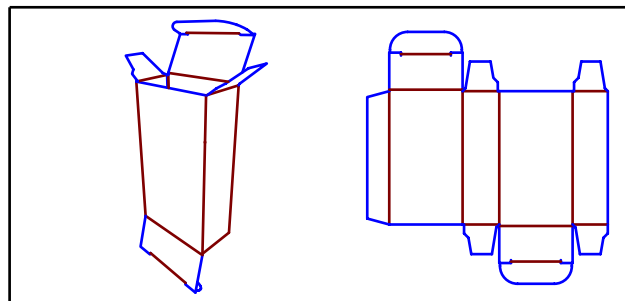
A2120C

Material 250-750 N,F,G,E



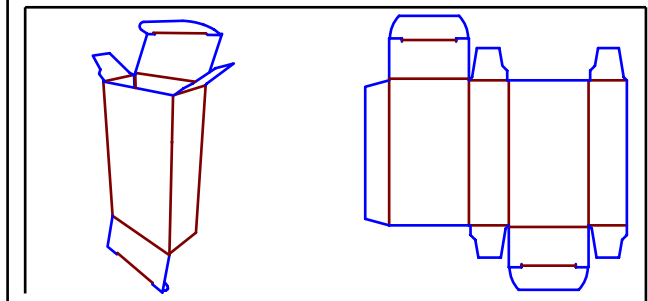
A2120D

Material 250-750 N,F,G,E



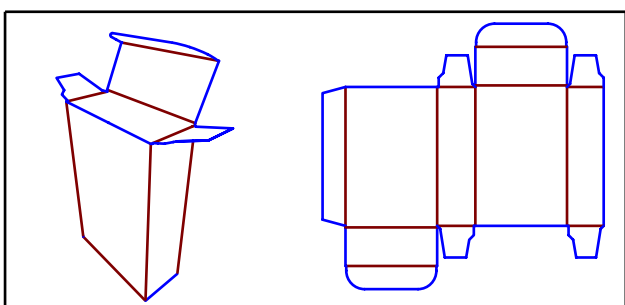
A2120E

Material 250-750 N,F,G,E



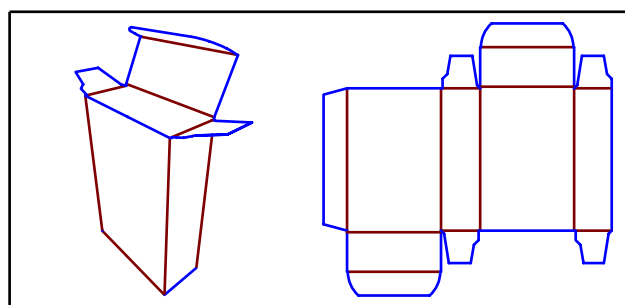
A2120F

Material 250-750 N,F,G,E



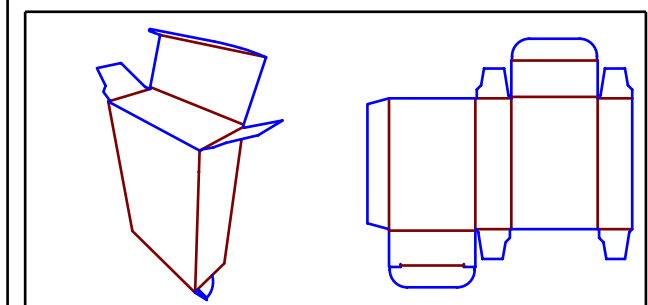
A2220A

Material 250-750 N,F,G,E



A2220B

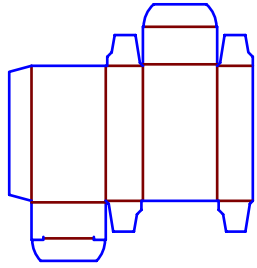
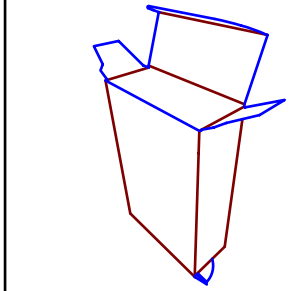
Material 250-750 N,F,G,E



A2220C

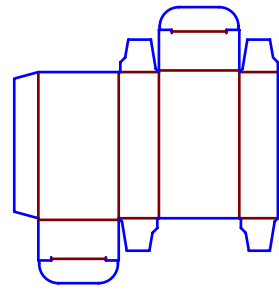
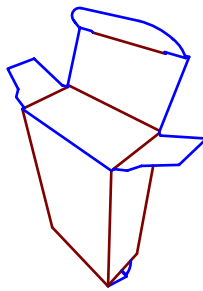
Material 250-750 N,F,G,E

# ECMA 2



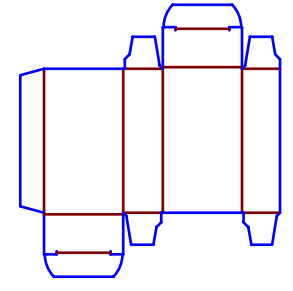
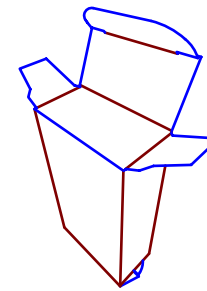
A2220D

Material 250-750 N,F,G,E



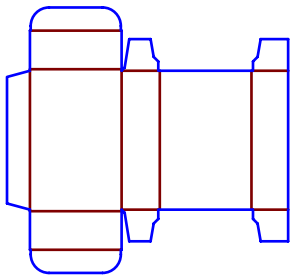
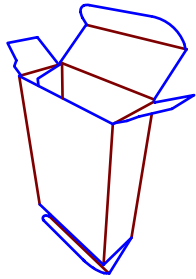
A2220E

Material 250-750 N,F,G,E



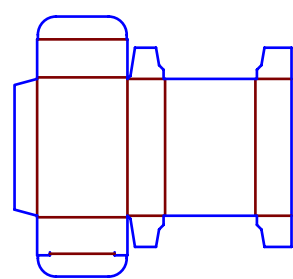
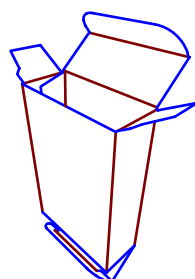
A2220E

Material 250-750 N,F,G,E



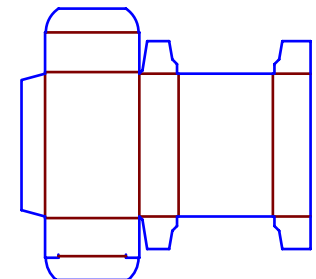
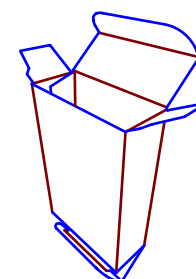
A2320A

Material 250-750 N,F,G,E



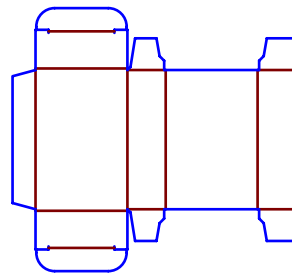
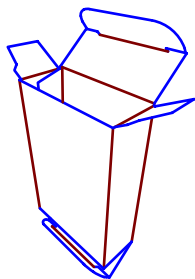
A2320C

Material 250-750 N,F,G,E



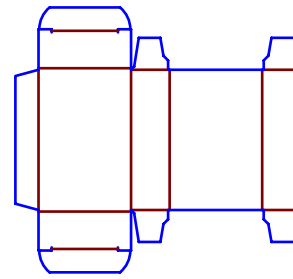
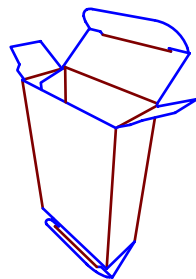
A2320D

Material 250-750 N,F,G,E



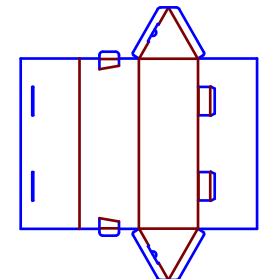
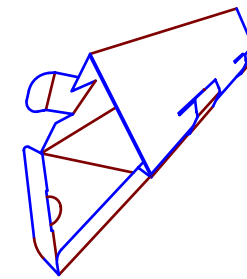
A2320E

Material 250-750 N,F,G,E



A2320F

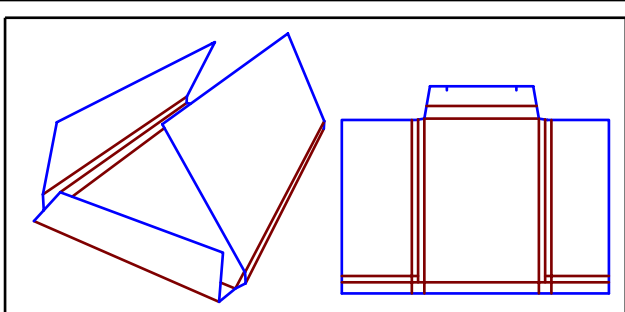
Material 250-750 N,F,G,E



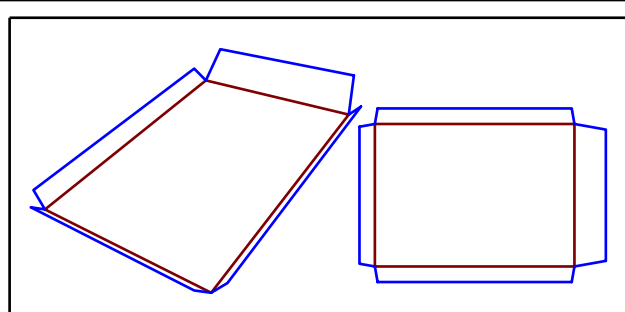
C1020

Material 250-750 N,F,G,E

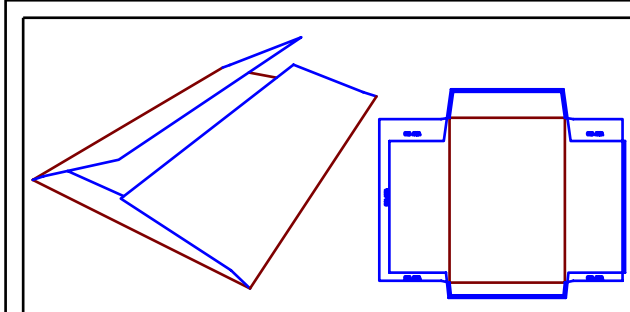
# Envelopes



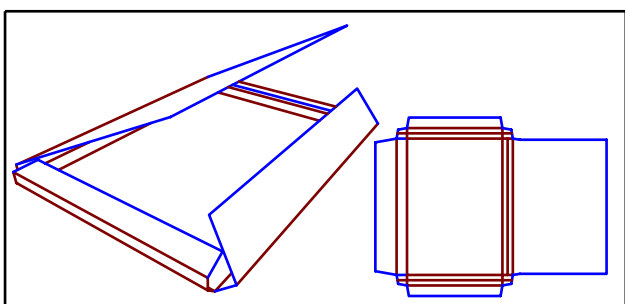
**C4 Block bottom gusset**



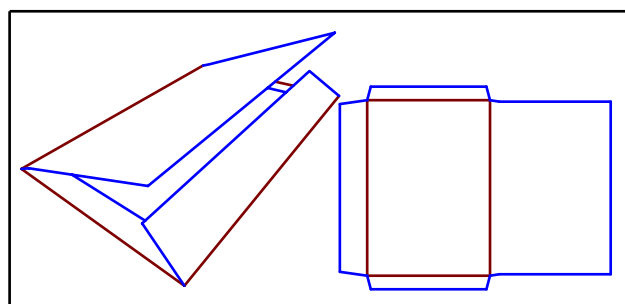
**C4 Board back style pocket**



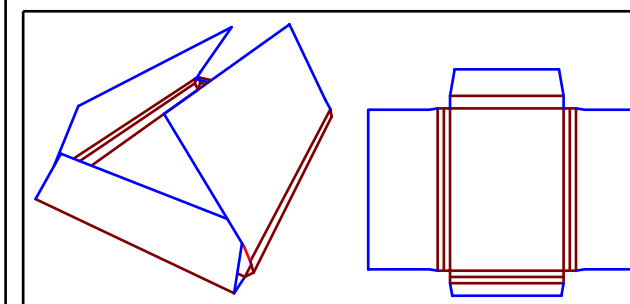
**C4 Centre seam pocket**



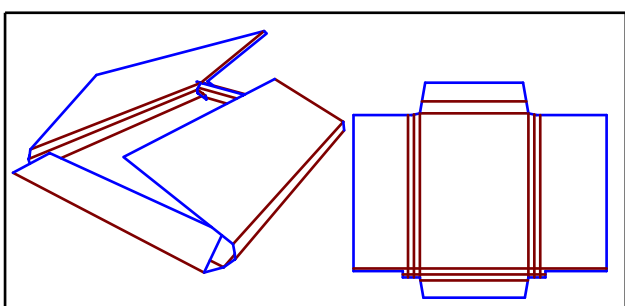
**C4 Double side seam gusset wallet**



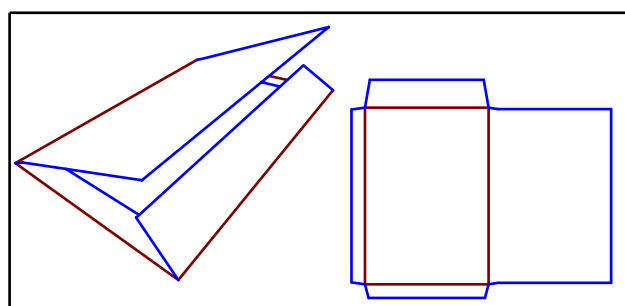
**C4 Double side seam wallet**



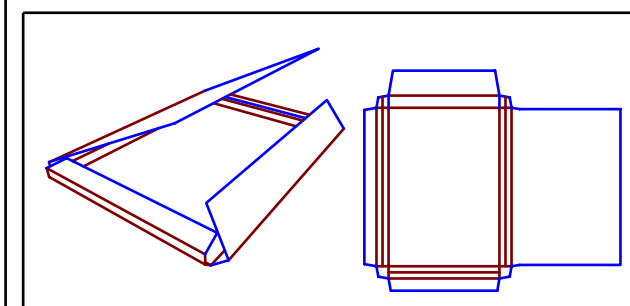
**C4 Gusset pocket centre seam**



**C4 LO style gusset pocket**

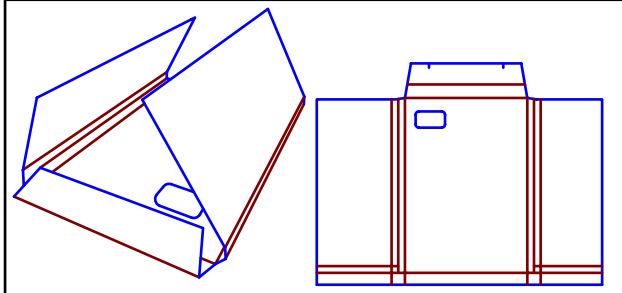


**C4 side seam pocket**

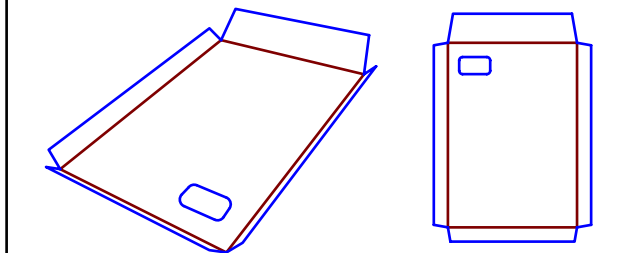


**C4 Sideseam gusset pocket**

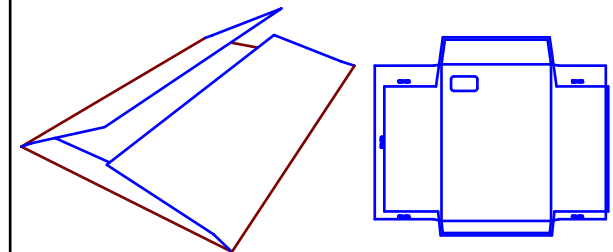
# Envelopes



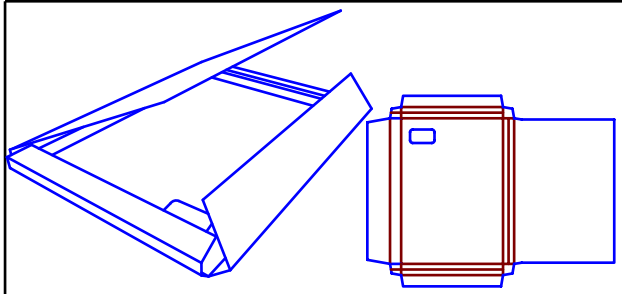
Window C4 Block bottom gusset



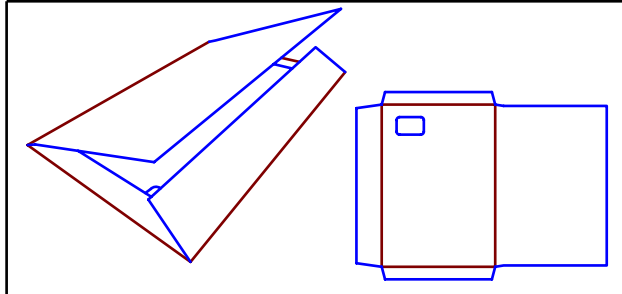
Window C4 Board back style pocket



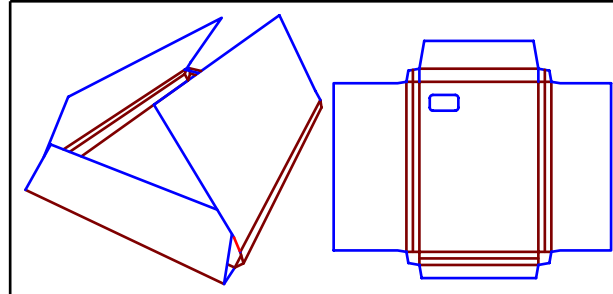
Window C4 Centre seam pocket



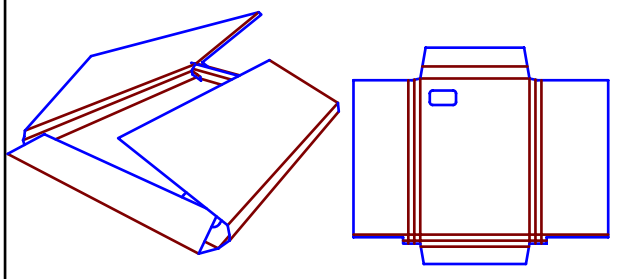
Window C4 Double side seam gusset wallet



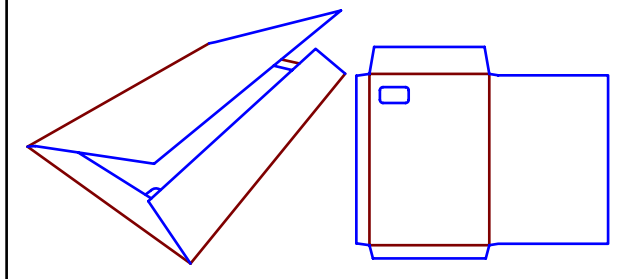
Window C4 Double side seam wallet



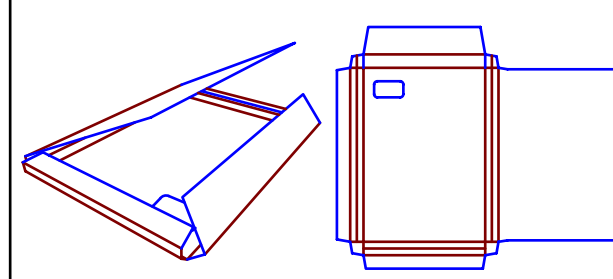
Window C4 Gusset pocket centre seam



Window C4 LO style gusset pocket

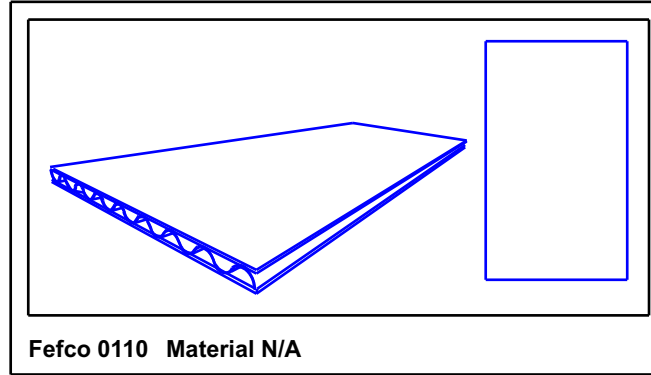
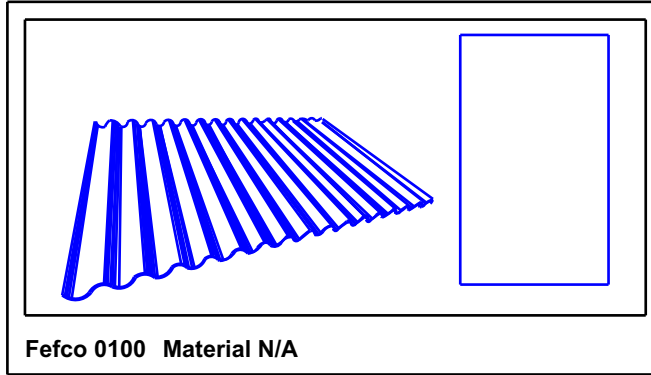


Window C4 side seam pocket

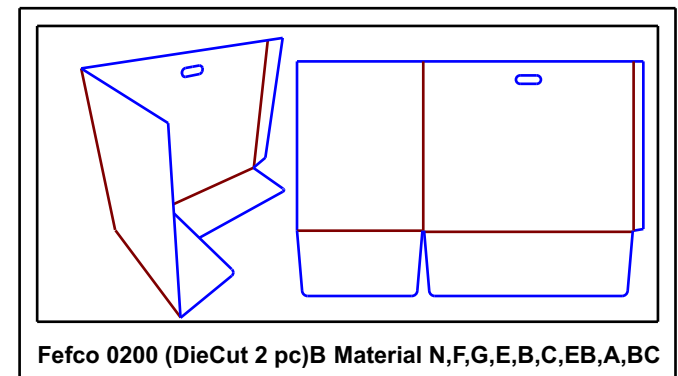
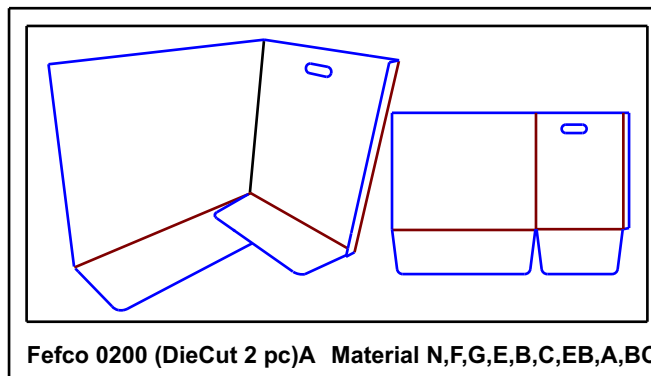
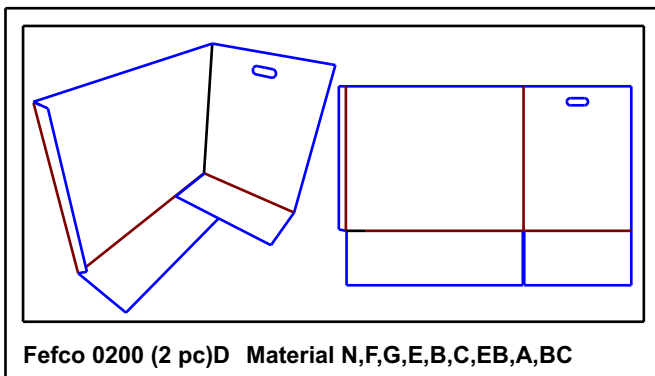
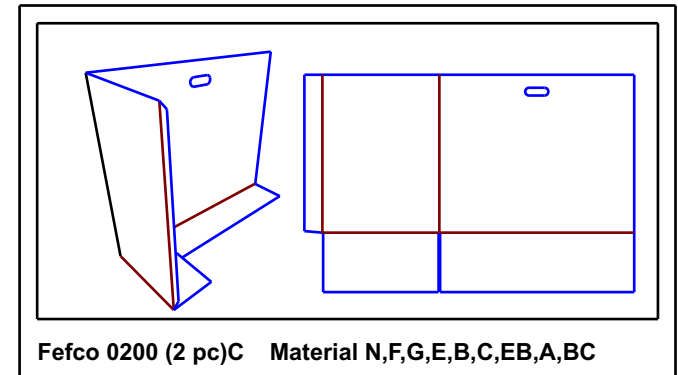
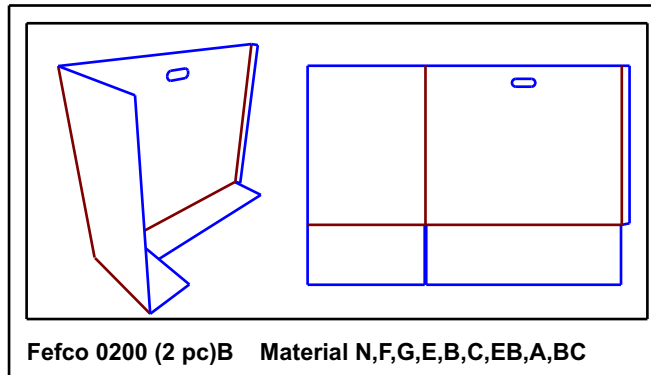
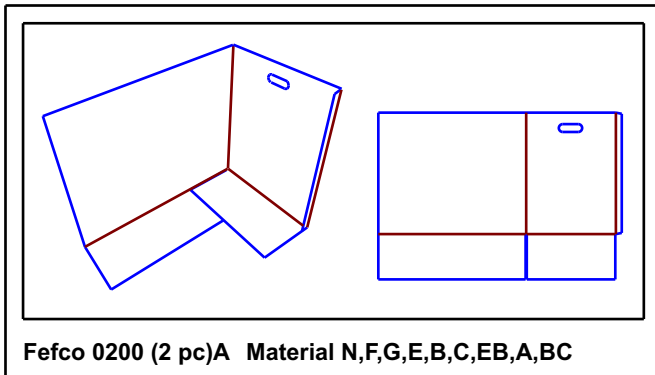


Window C4 Sideseam gusset pocket

# 01 Rolls and Pads

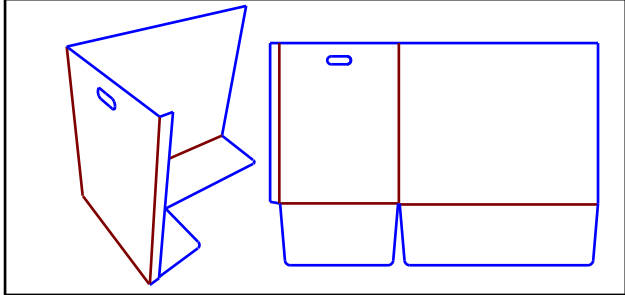


# 02 Slotted type 2-piece cases

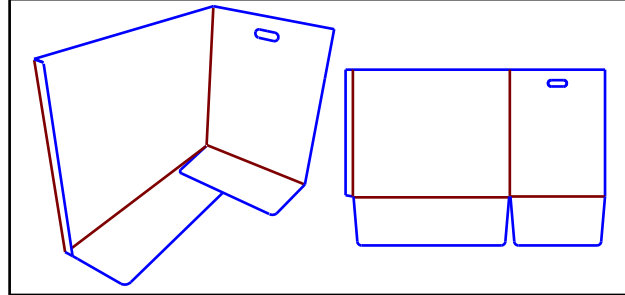




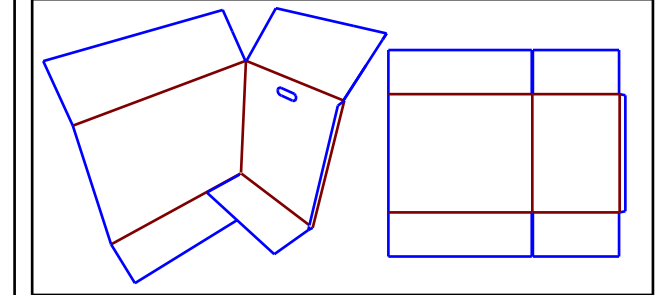
# 02 Slotted type 2-piece cases



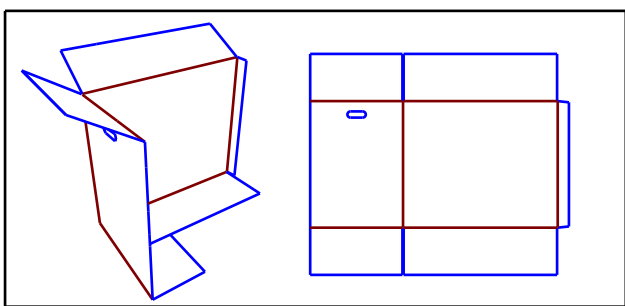
Fefco 0200 (DieCut 2 pc)C Material N,F,G,E,B,C,EB,A,BC



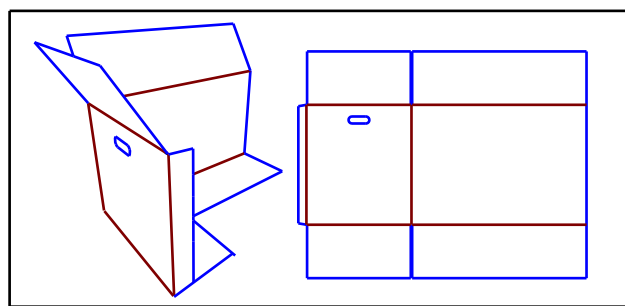
Fefco 0200 (DieCut 2 pc)D Material N,F,G,E,B,C,EB,A,BC



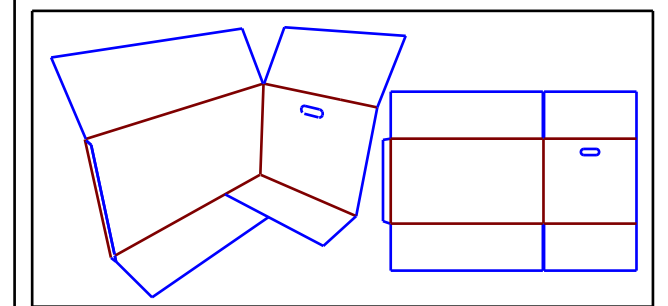
Fefco 0201 (2 pc)A Material N,F,G,E,B,C,EB,A,BC



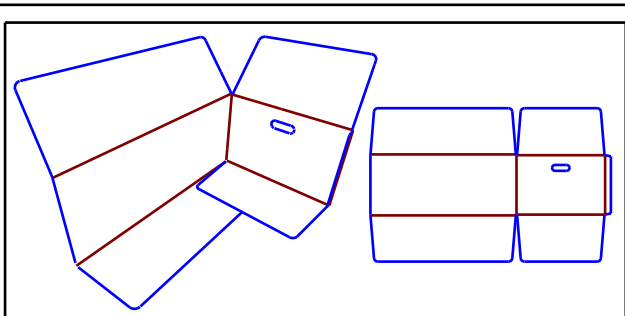
Fefco 0201 (2 pc)B Material N,F,G,E,B,C,EB,A,BC



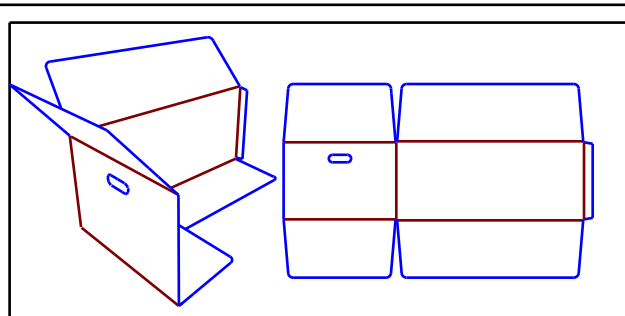
Fefco 0200 (2 pc)C Material N,F,G,E,B,C,EB,A,BC



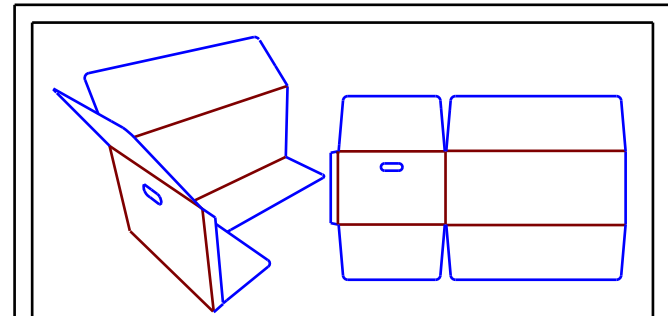
Fefco 0200 (2 pc)D Material N,F,G,E,B,C,EB,A,BC



Fefco 0201 (DieCut 2 pc)A Material N,F,G,E,B,C,EB,A,BC

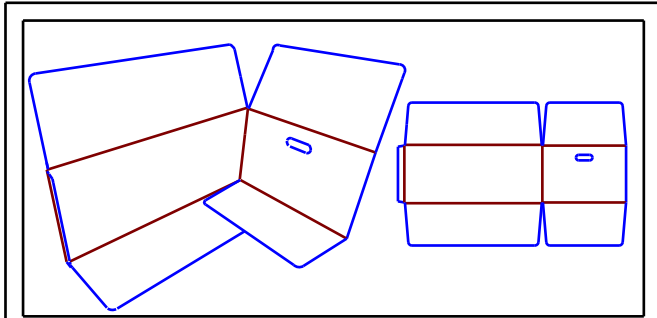


Fefco 0201 (DieCut 2 pc)B Material N,F,G,E,B,C,EB,A,BC



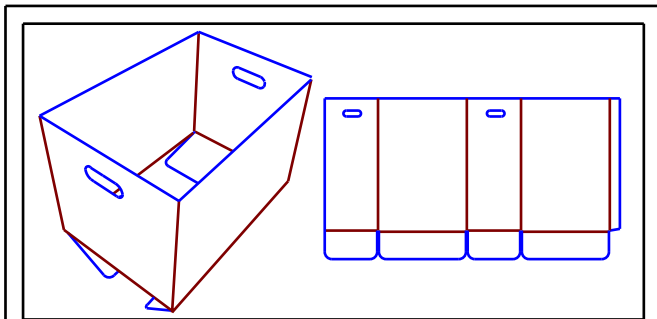
Fefco 0201 (DieCut 2 pc)C Material N,F,G,E,B,C,EB,A,BC

## 02 Slotted type 2-piece cases

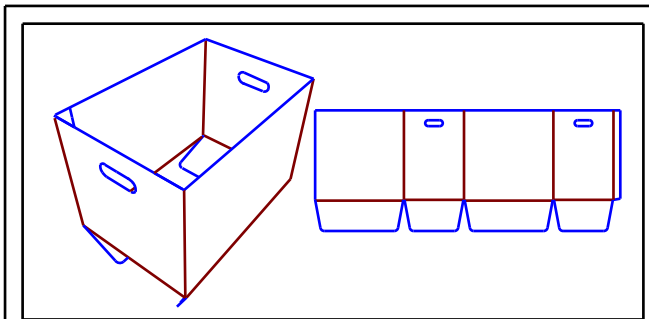


Fefco 0201 (DieCut 2 pc)D Material N,F,G,E,B,C,EB,A,BC

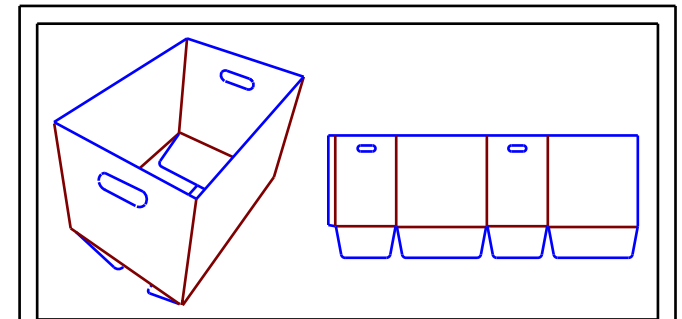
## 02 Slotted type cases



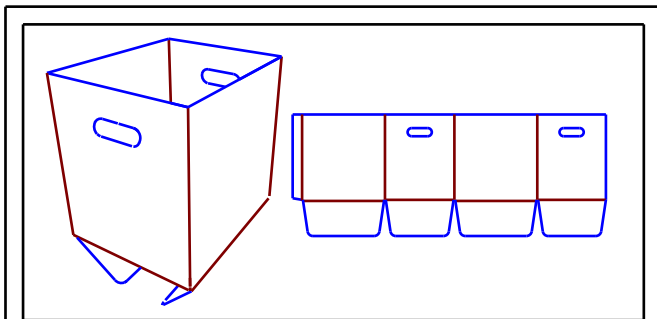
Fefco 0200 (DieCut)A Material N,F,G,E,B,C,EB,A,BC



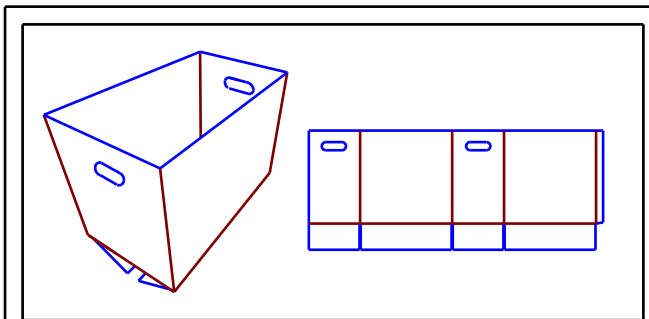
Fefco 0200 (DieCut)B Material N,F,G,E,B,C,EB,A,BC



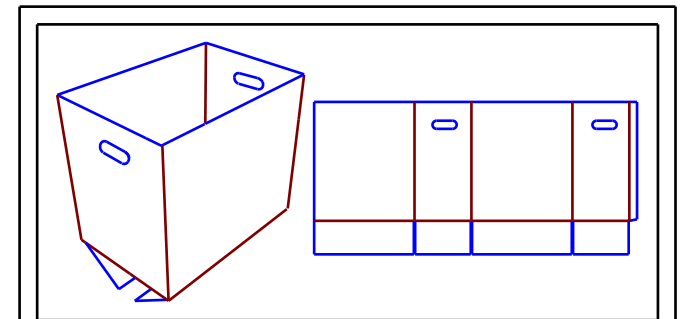
Fefco 0200 (DieCut)C Material N,F,G,E,B,C,EB,A,BC



Fefco 0200 (DieCut)D Material N,F,G,E,B,C,EB,A,BC

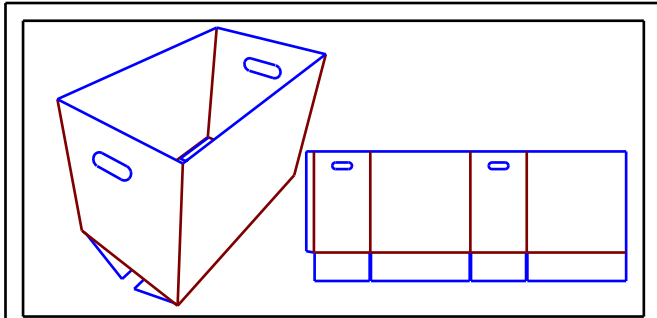


Fefco 0200 A Material N,F,G,E,B,C,EB,A,BC



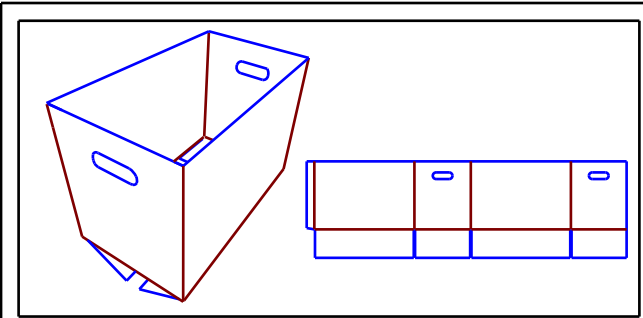
Fefco 0200 B Material N,F,G,E,B,C,EB,A,BC

# 02 Slotted type cases



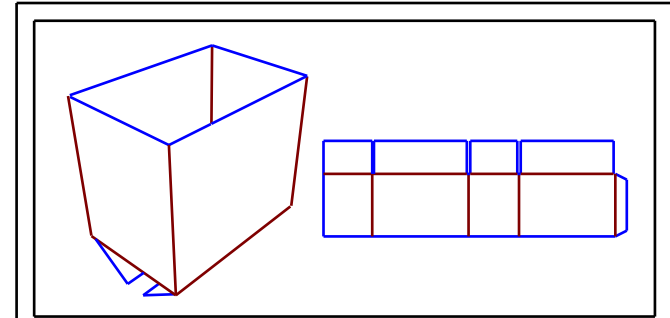
Fefco 0200 C

Material N,F,G,E,B,C,EB,A,BC



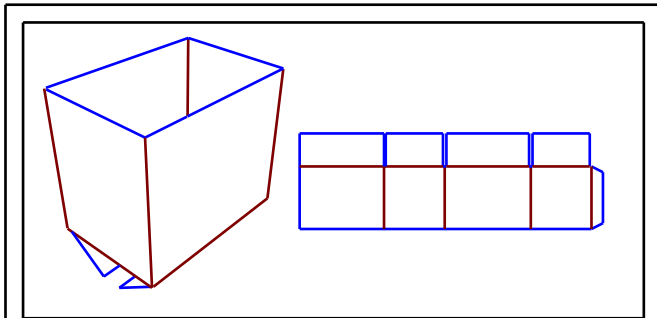
Fefco 0200 D

Material N,F,G,E,B,C,EB,A,BC



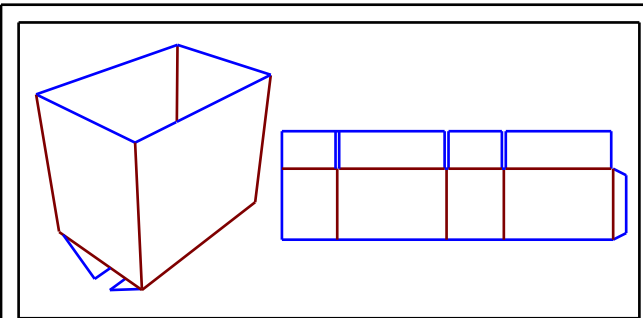
Fefco 0200 E

Material N,F,G,E,B,C,EB,BC



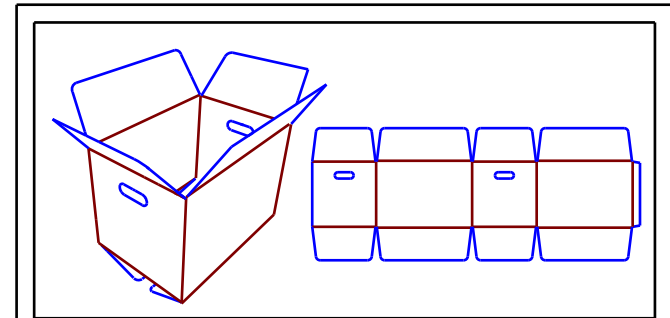
Fefco 0200 F

Material N,F,G,E,B,C,EB,BC



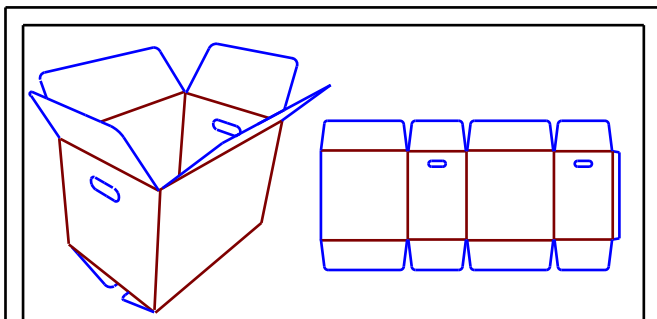
Fefco 0200

Material N,F,G,E,B,C,EB,BC



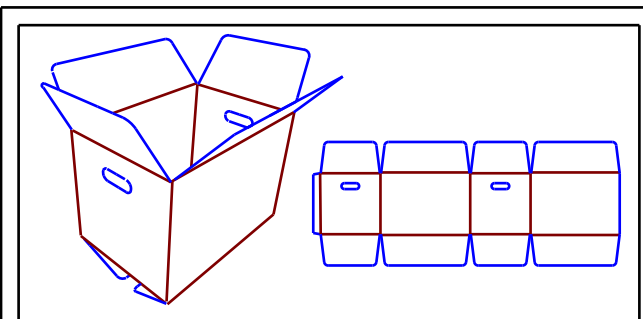
Fefco 0201 (DieCut)A

Material N,F,G,E,B,C,EB,BC



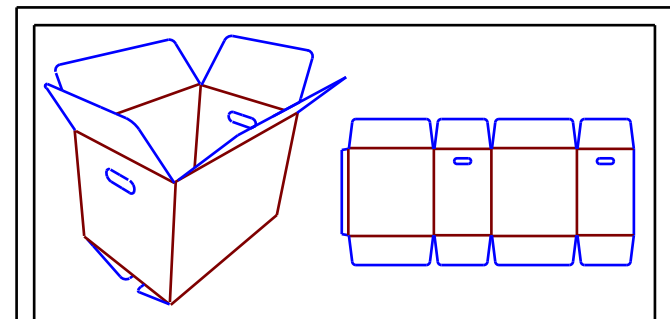
Fefco 0201 (DieCut)B

Material N,F,G,E,B,C,EB,A,BC



Fefco 0201 (DieCut)C

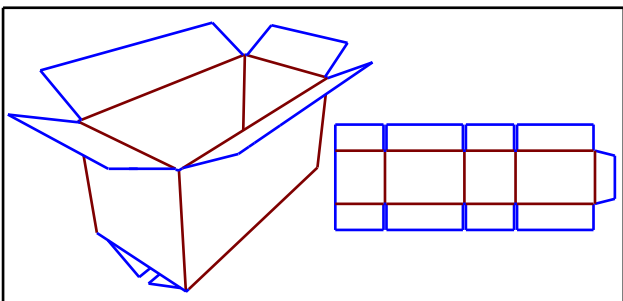
Material N,F,G,E,B,C,EB,A,BC



Fefco 0201 (DieCut)D

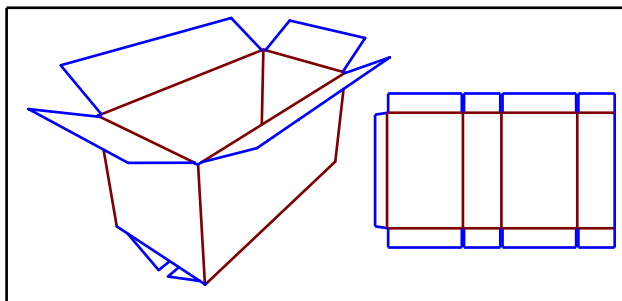
Material N,F,G,E,B,C,EB,A,BC

# 02 Slotted type cases



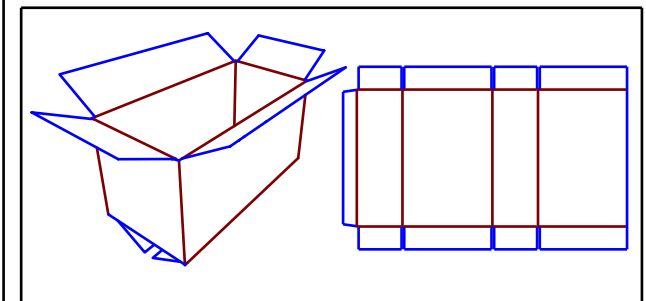
Fefco 0201

Material N,F,G,E,B,C,EB,BC



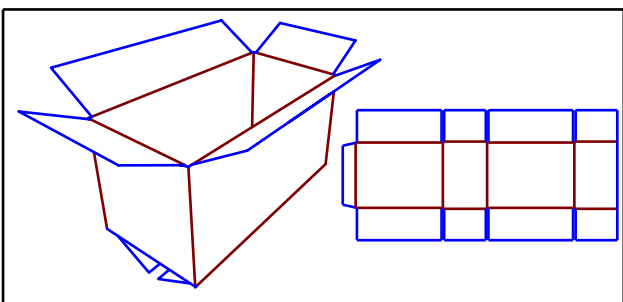
Fefco 0201 A

Material N,F,G,E,B,C,EB,BC



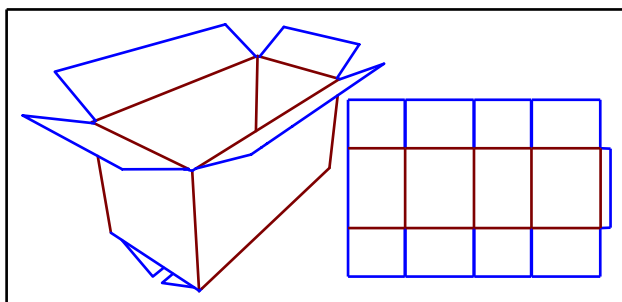
Fefco 0201 B

Material N,F,G,E,B,C,EB,BC



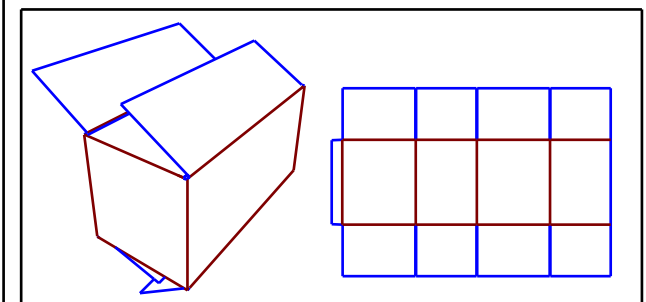
Fefco 0201 C

Material N,F,G,E,B,C,EB,BC



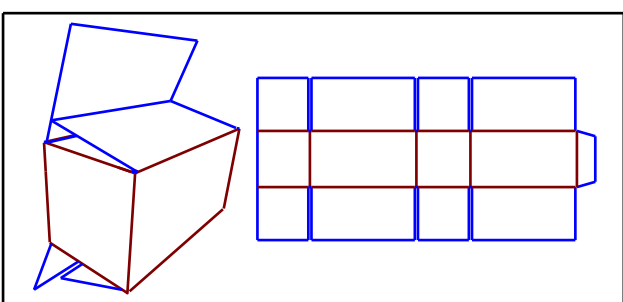
Fefco 0201 HD

Material B,C,EB,BC,CA,AA,CAA



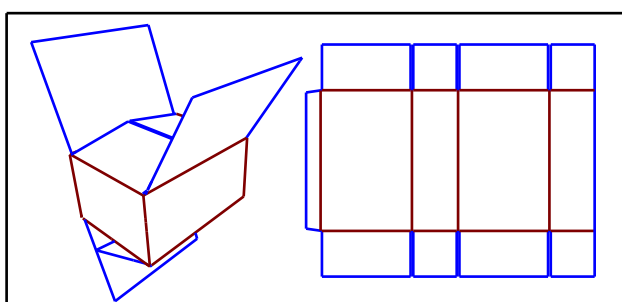
Fefco 0202

Material N,F,G,E,B,C,EB,BC



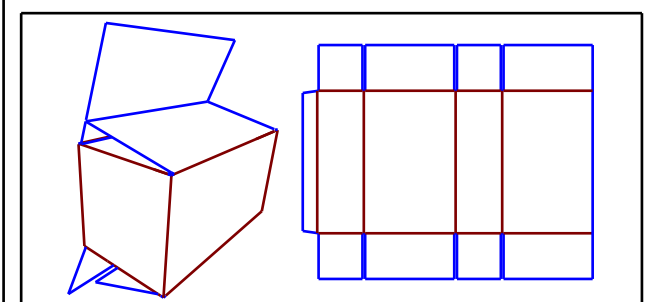
Fefco 0203

Material N,F,G,E,B,C,EB,BC



Fefco 0203A

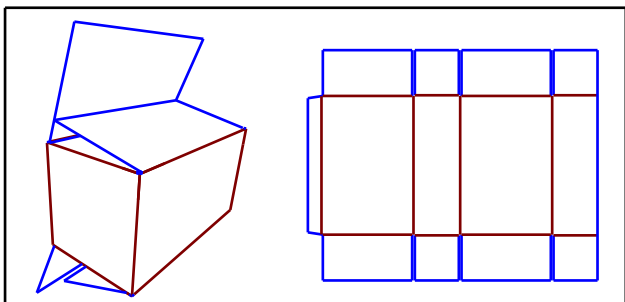
Material N,F,G,E,B,C,EB,BC



Fefco 0203B

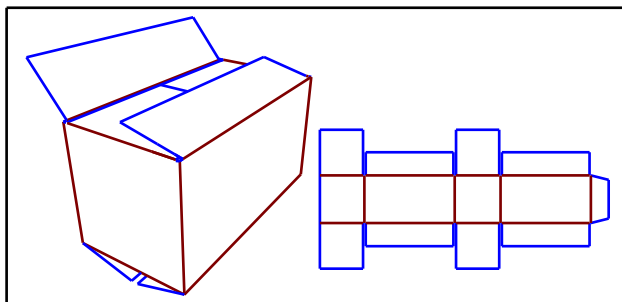
Material N,F,G,E,B,C,EB,BC

# 02 Slotted type cases



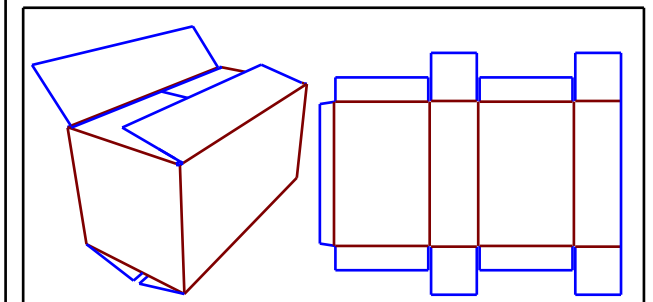
Fefco 0203C

Material E,B,C,EB,BC



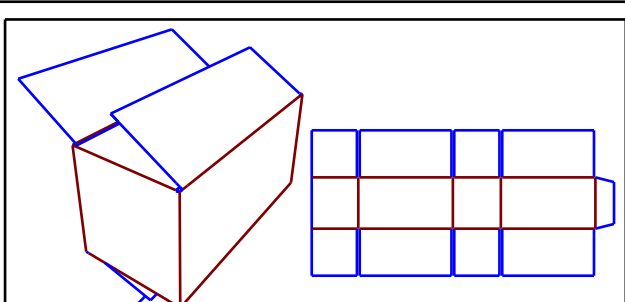
Fefco 0204

Material E,B,C,EB,BC



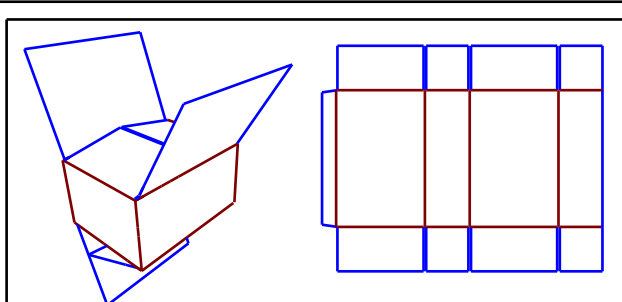
Fefco 0204A

Material N,F,G,E,B,C,EB,BC



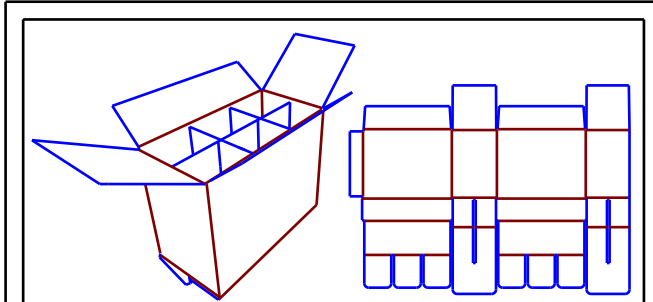
Fefco 0205

Material N,F,G,E,B,C,EB,BC



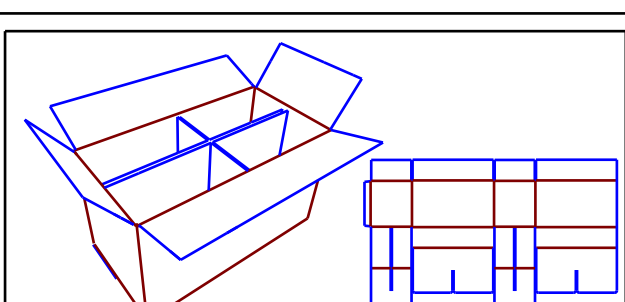
Fefco 0206

Material N,F,G,E,B,C,EB,BC



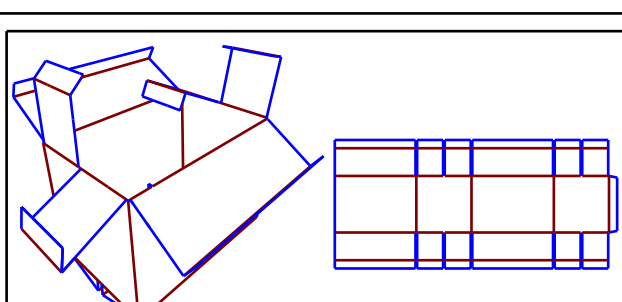
Fefco 0207

Material E,B,C,EB,BC



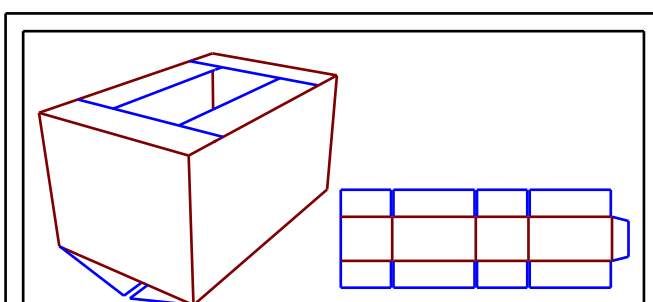
Fefco 0207A

Material E,B,C,EB,BC



Fefco 0208

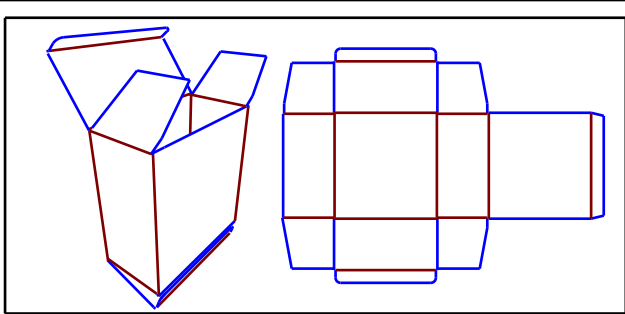
Material E,B,C,EB,BC



Fefco 0209

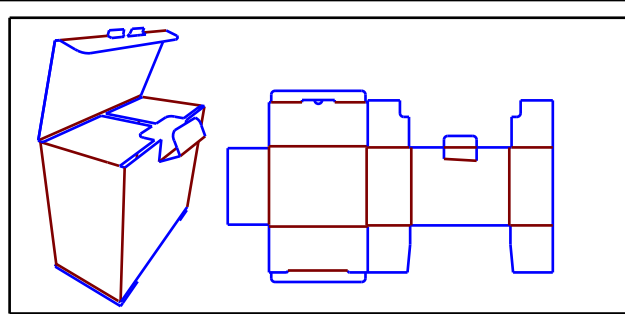
Material E,B,C,EB,BC

# 02 Slotted type cases



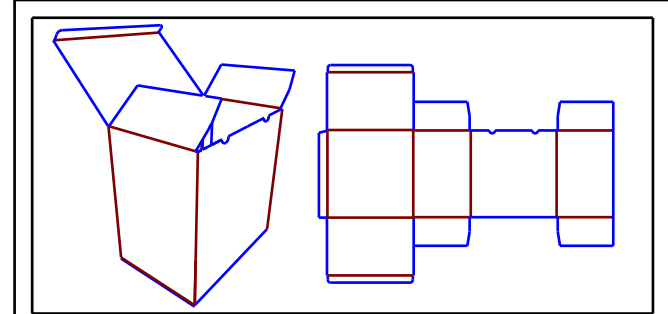
Fefco 0210

Material E,B,C,EB,BC



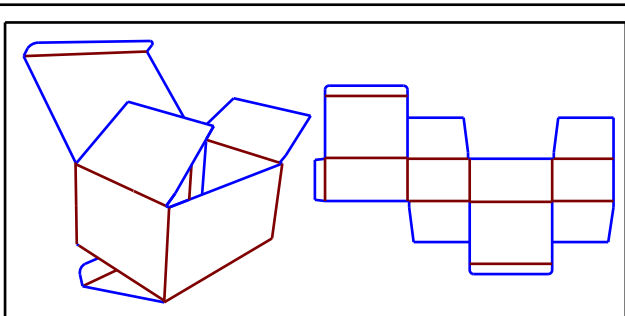
Fefco 0210A

Material E,B,C,EB,BC



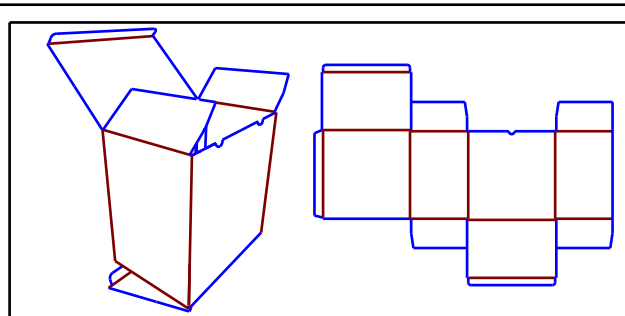
Fefco 0210B

Material E,B,C



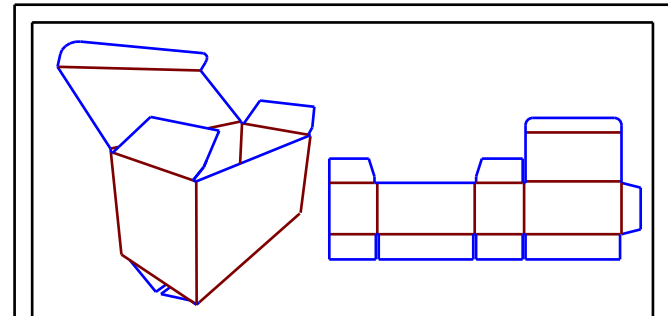
Fefco 0211

Material E,B,C,EB,BC



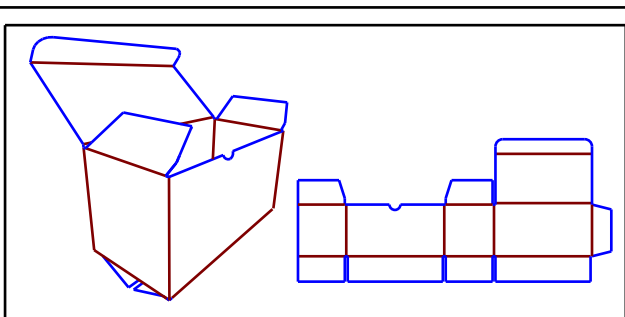
Fefco 0211A

Material E,B,C,EB,BC



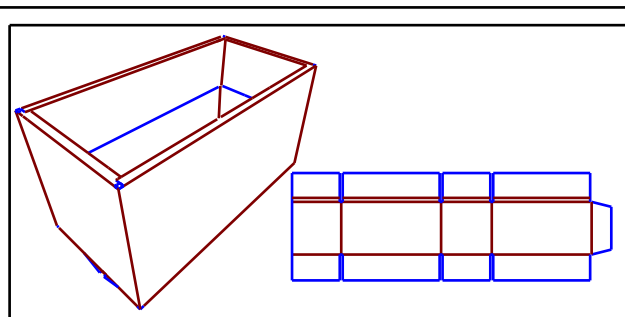
Fefco 0212

Material E,B,C,EB,BC



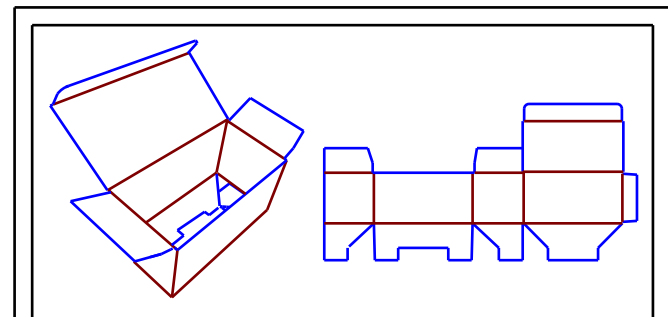
Fefco 0212A

Material E,B,C



Fefco 0214

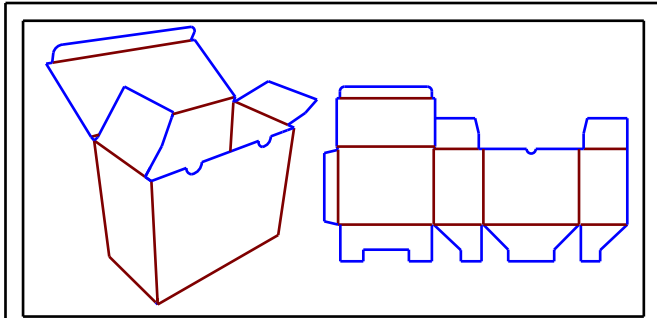
Material E,B,C,EB,BC



Fefco 0215

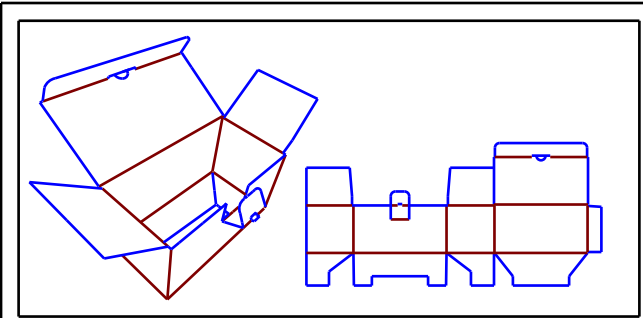
Material E,B,C,EB,BC

# 02 Slotted type cases



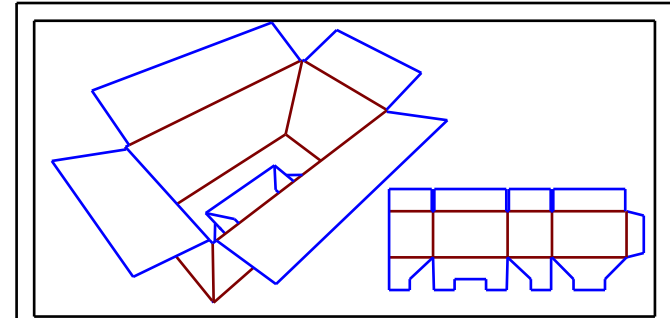
Fefco 0215A

Material E,B,C,EB,BC



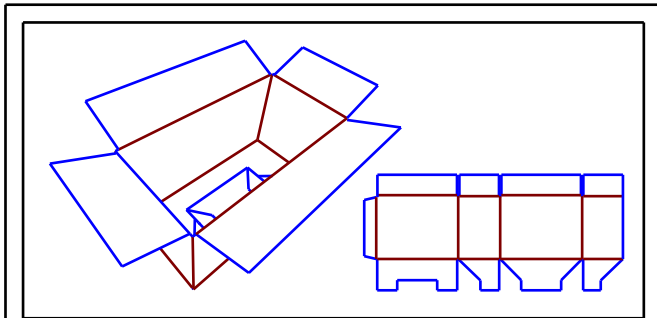
Fefco 0215PL

Material E,B,C,EB,BC



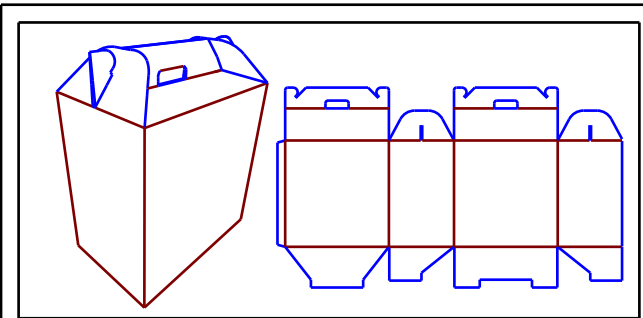
Fefco 0216

Material E,B,C



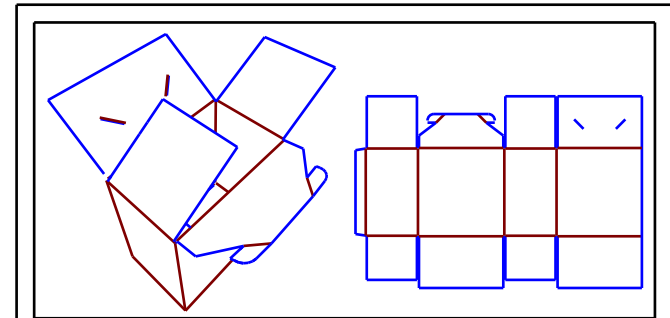
Fefco 0216A

Material E,B,C,EB,BC



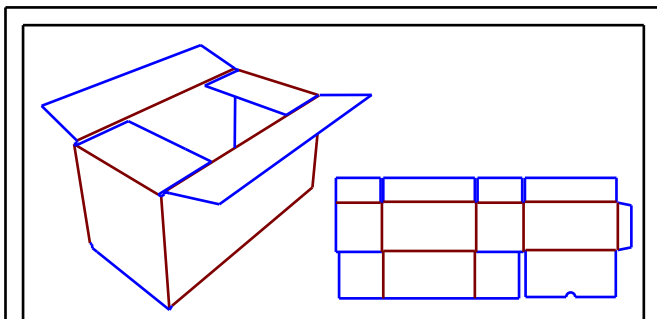
Fefco 0217

Material E,B,C,EB,BC



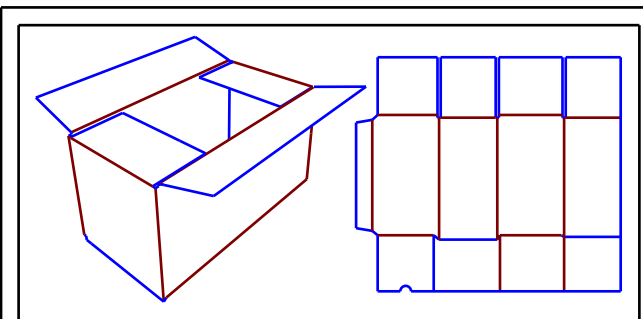
Fefco 0218

Material E,B,C,EB,BC



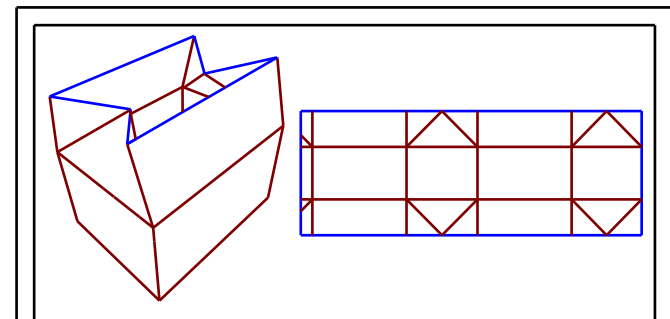
Fefco 0225

Material E,B,C,EB,BC



Fefco 0225A

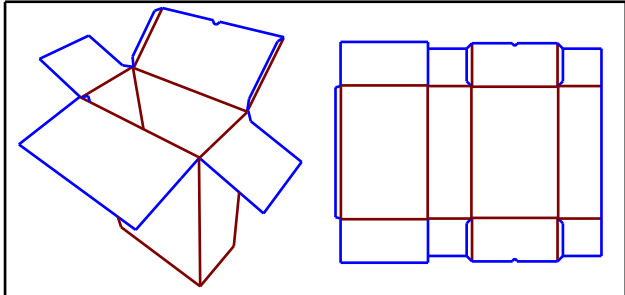
Material E,B,C,EB,BC



Fefco 0226

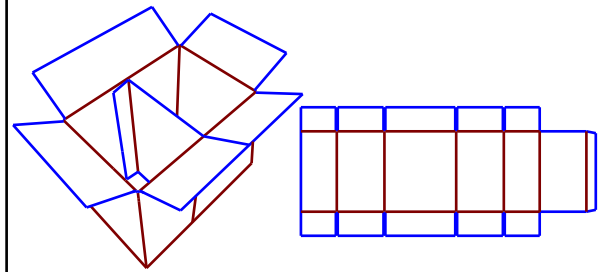
Material E,B,C,EB,BC

## 02 Slotted type cases



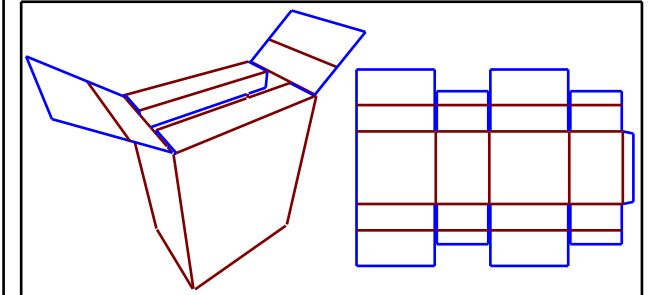
Fefco 0227

Material N,F,G,E,B,C,EB,BC



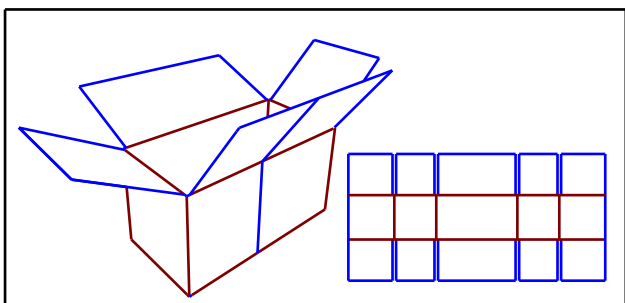
Fefco 0228

Material E,B,C,EB,BC



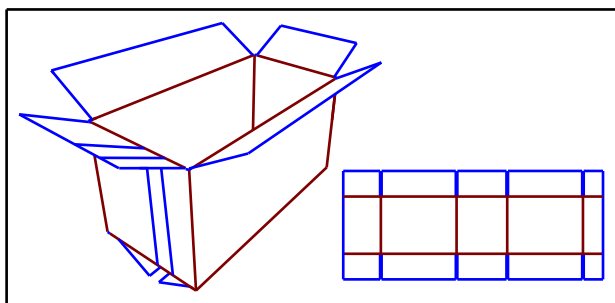
Fefco 0229

Material E,B,C,EB,BC



Fefco 0230

Material E,B,C,EB,BC

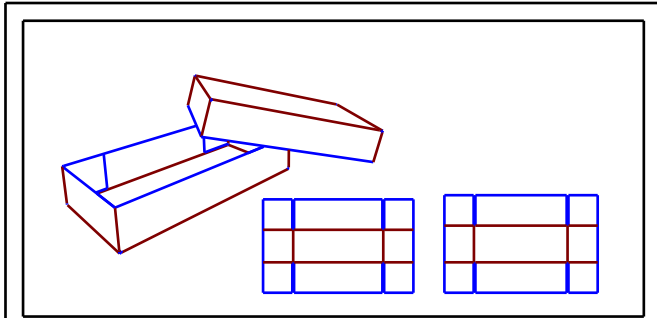


Fefco 0231

Material N,F,G,E,B,C,EB,BC

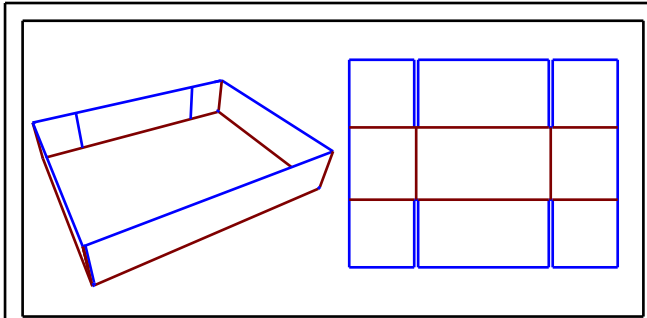


# 03 Telescope type boxes & lids



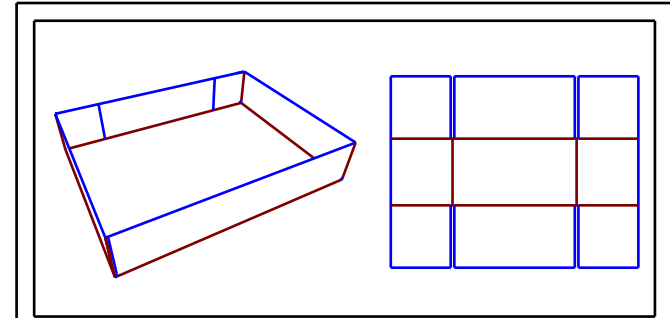
Fefco 0300

Material N,F,G,E,B,C,EB,BC



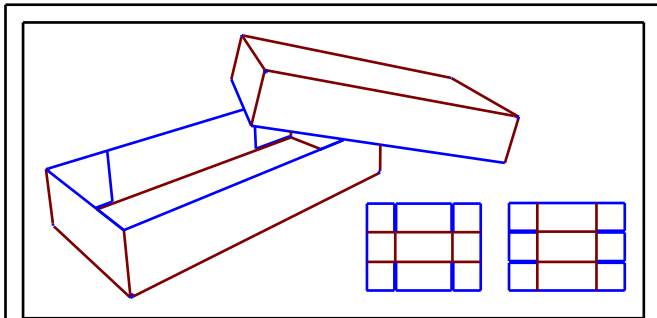
Fefco 0300B

Material N,F,G,E,B,C,EB,BC



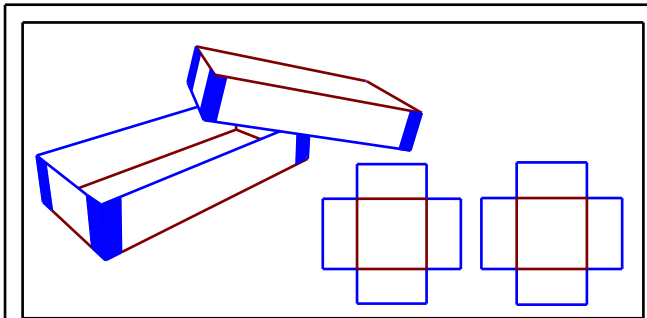
Fefco 0300L

Material N,F,G,E,B,C,EB,BC



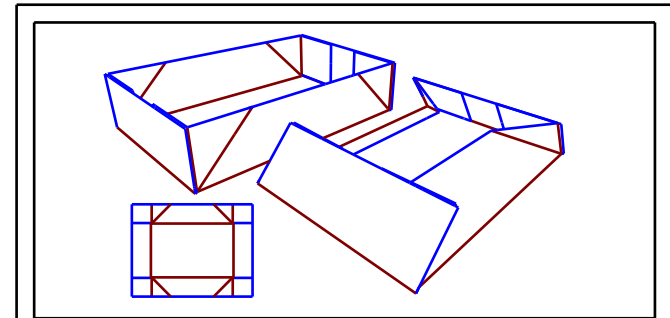
Fefco 0301

Material N,F,G,E,B,C,EB,BC



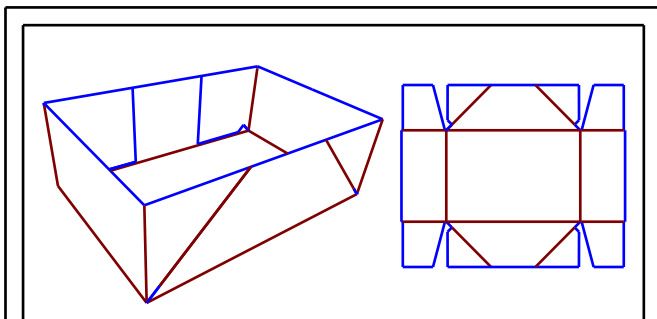
Fefco 0302

Material N,F,G,E,B,C,EB,BC



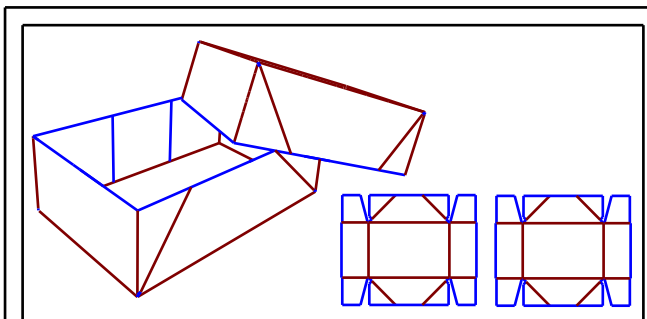
Fefco 0303

Material N,F,G,E,B,C,EB,BC



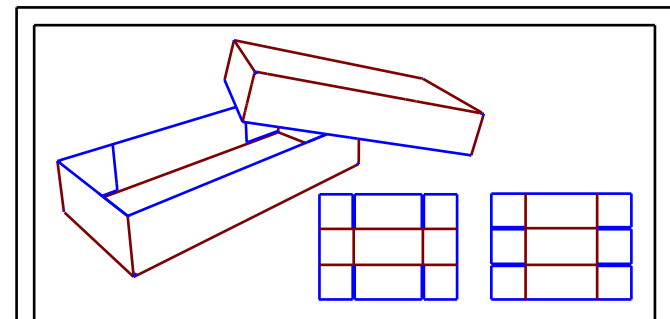
Fefco 0304

Material E,B,C,EB,BC



Fefco 0304A

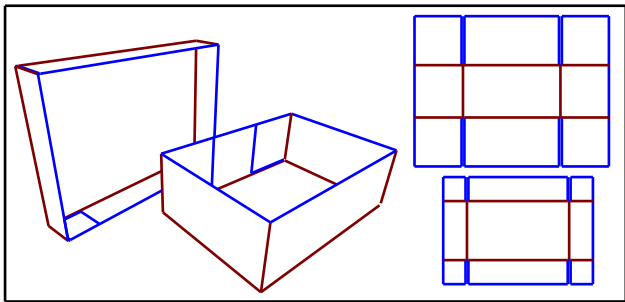
Material N,F,G,E,B,C,EB,BC



Fefco 0305

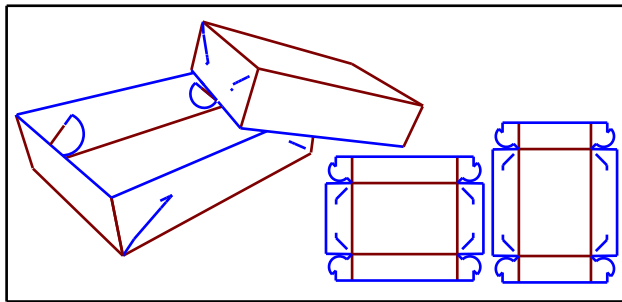
Material E,B,C,EB,BC

# 03 Telescope type boxes & lids



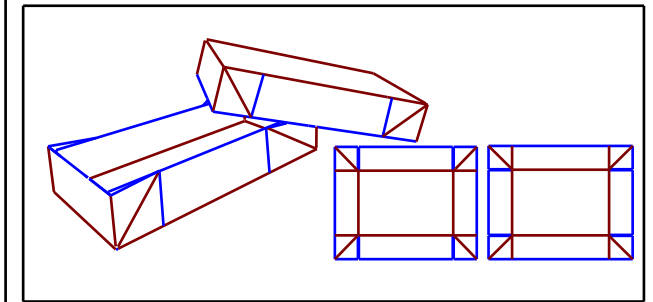
Fefco 0306

Material E,B,C,EB,BC



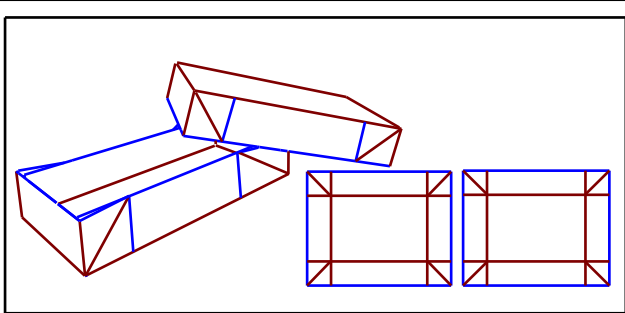
Fefco 0307

Material E



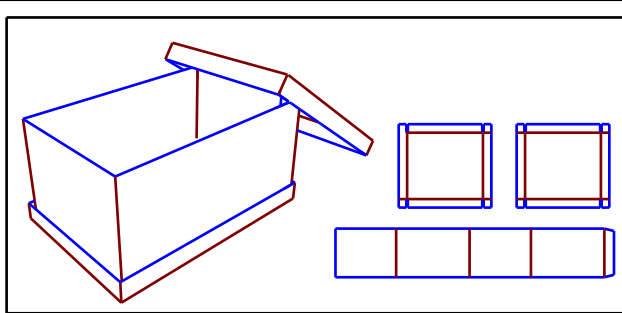
Fefco 0308

Material E,B,C,EB,BC



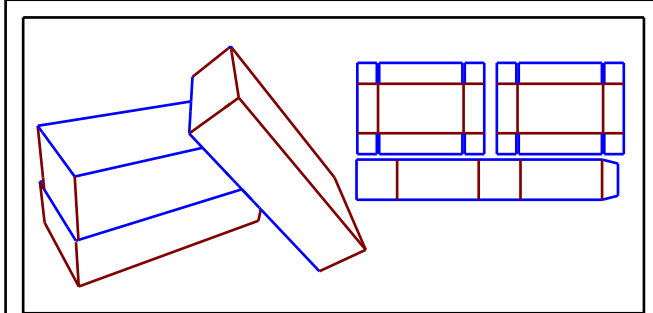
Fefco 0309

Material E,B,C,EB,BC



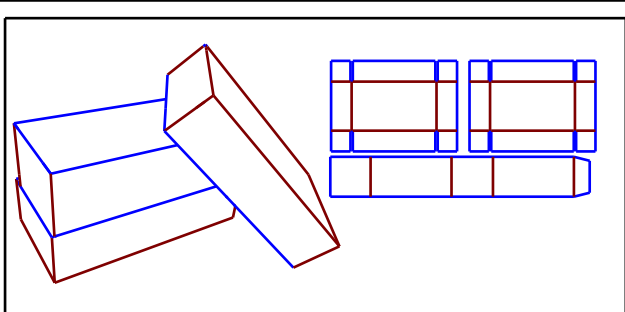
Fefco 0310

Material E,B,C,EB,BC



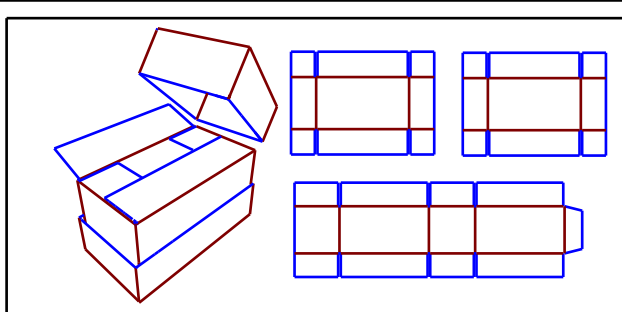
Fefco 0311

Material E,B,C,EB,BC



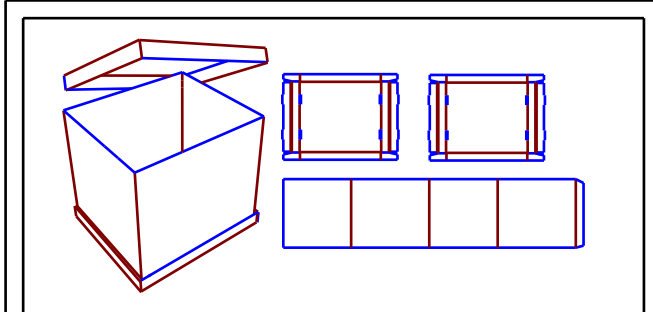
Fefco 0312

Material N,F,G,E,B,C,EB,BC



Fefco 0313

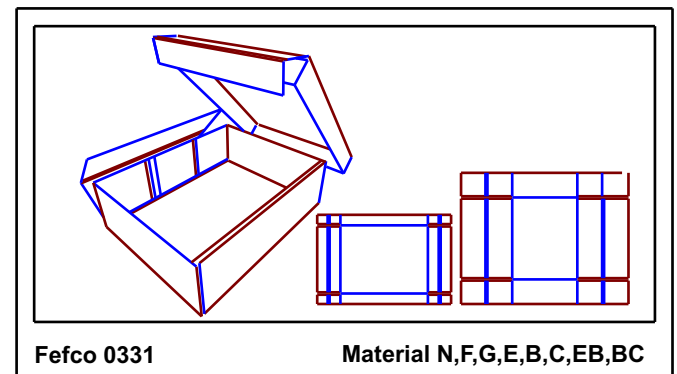
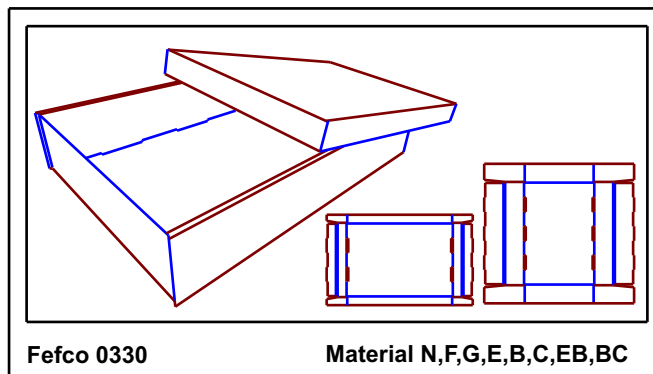
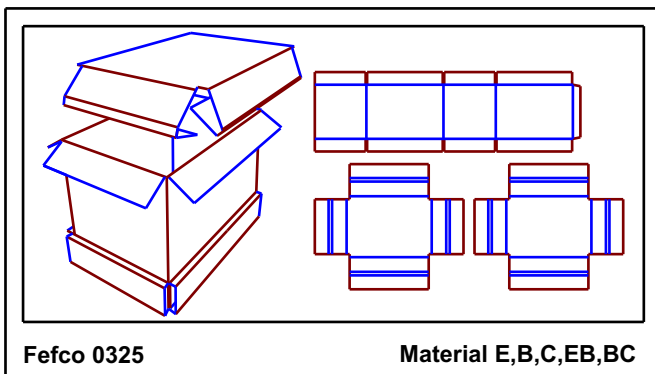
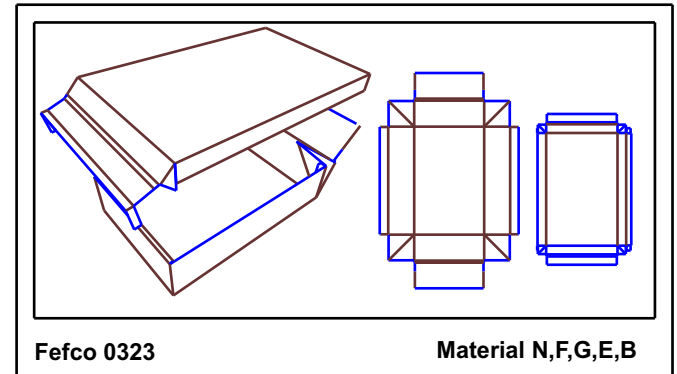
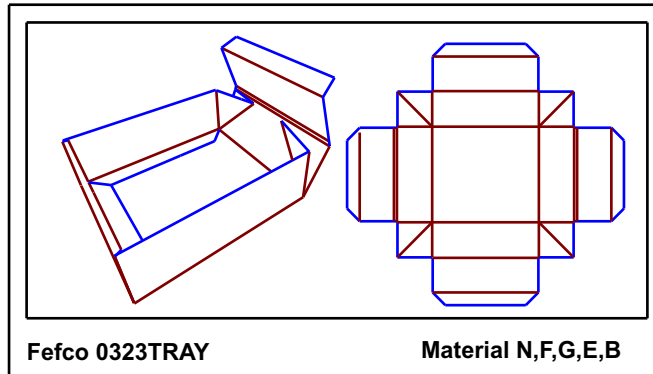
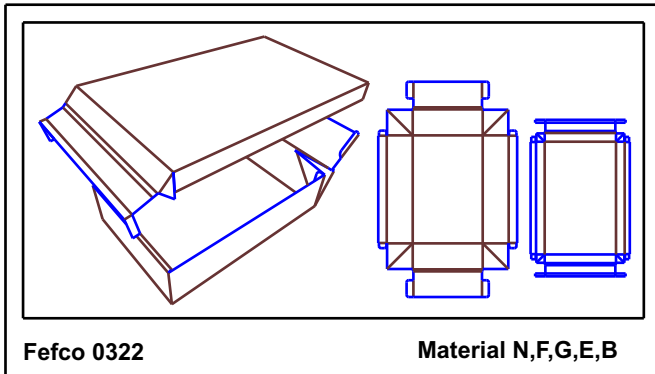
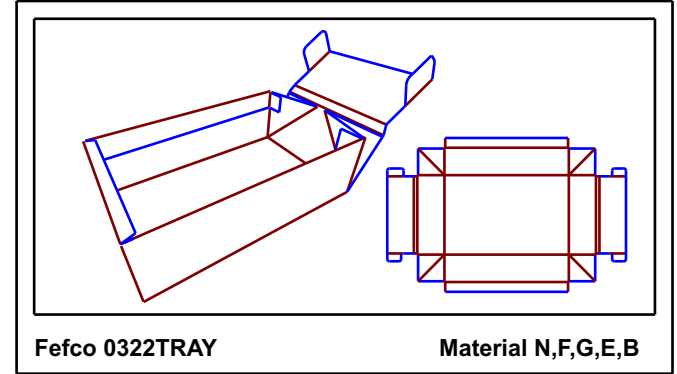
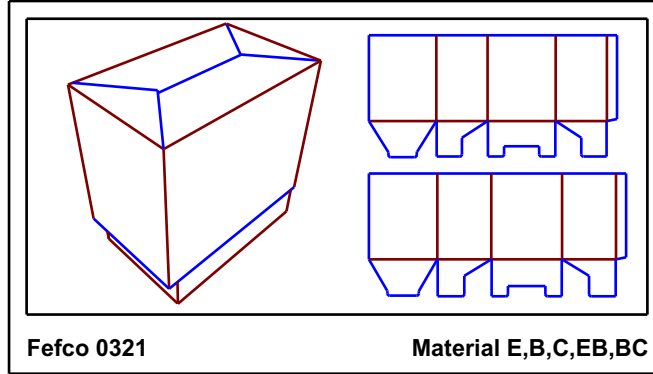
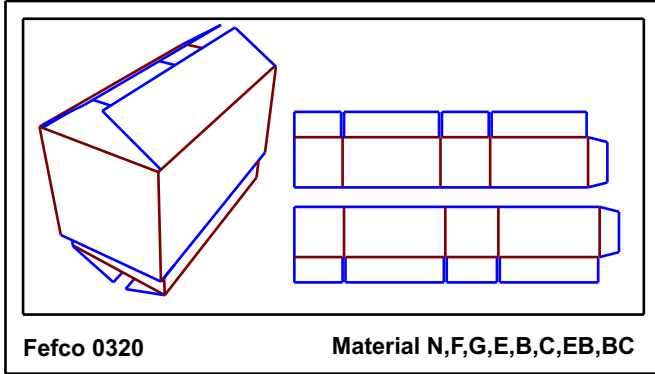
Material E,B,C,EB,BC



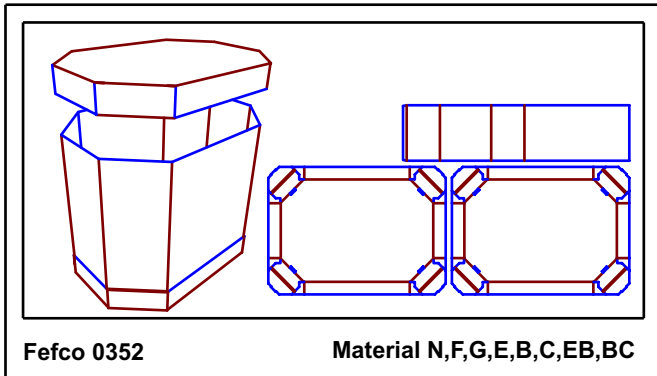
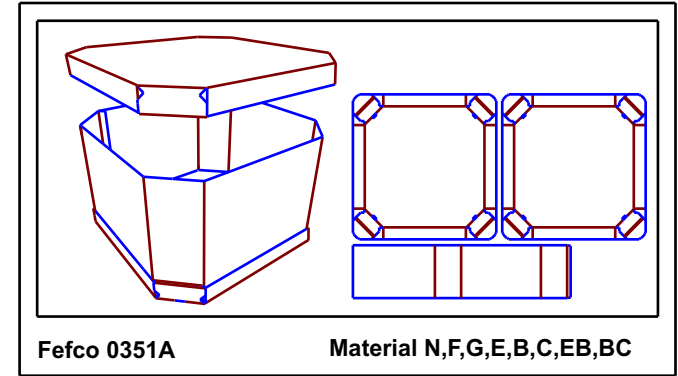
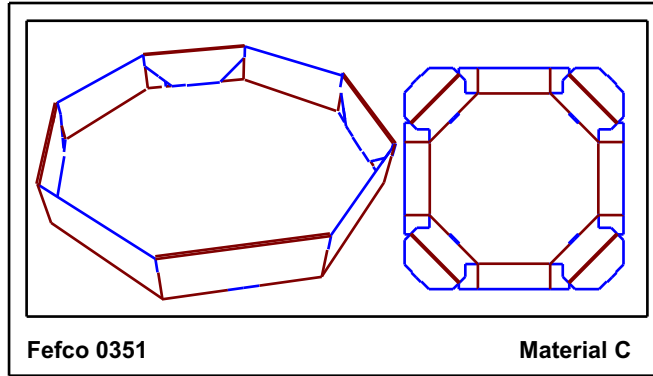
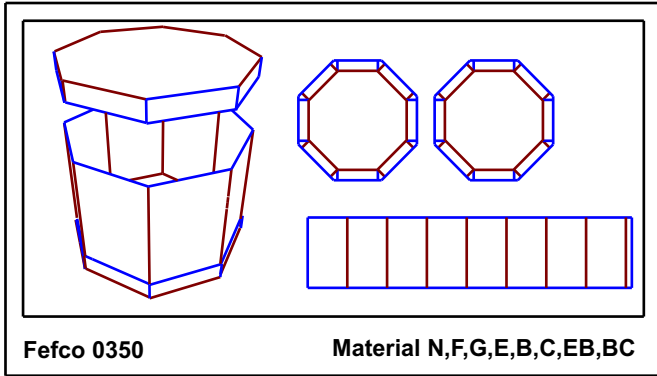
Fefco 0314

Material N,F,G,E,B,C,EB,BC

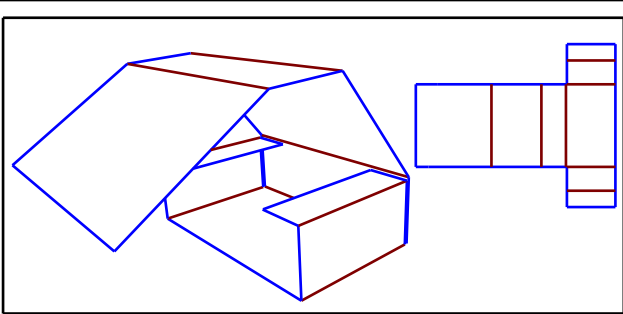
# 03 Telescope type boxes & lids



# 03 Telescope type boxes & lids

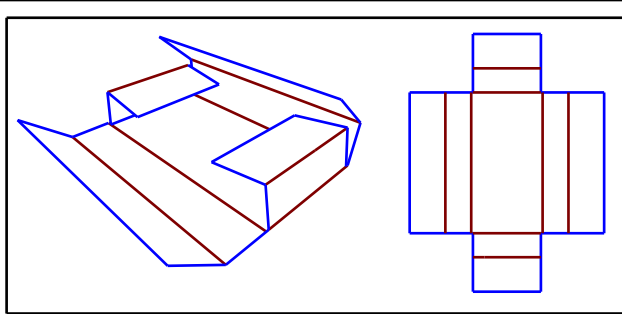


# 04 Folder & tray type boxes



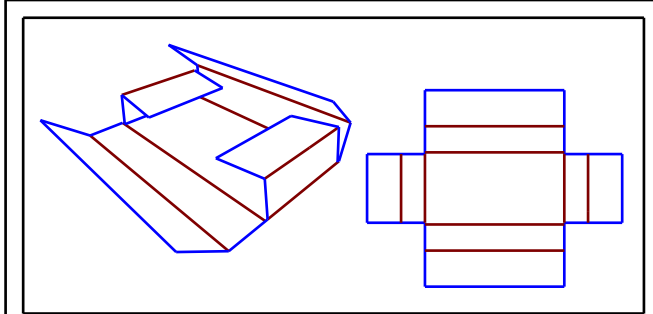
Fefco 0400

Material N,F,G,E,B,C,EB,BC



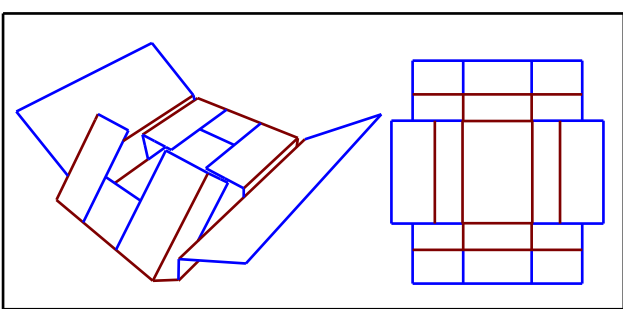
Fefco 0401

Material E,B,C,BC



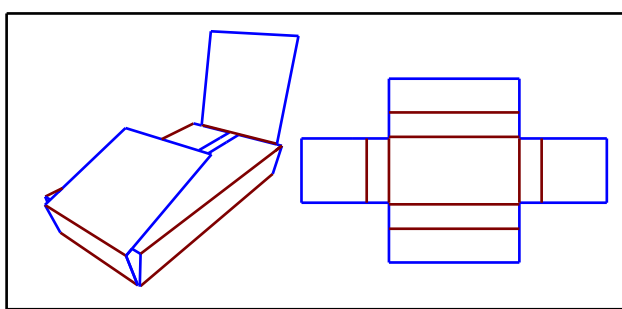
Fefco 0401A

Material N,F,G,E,B



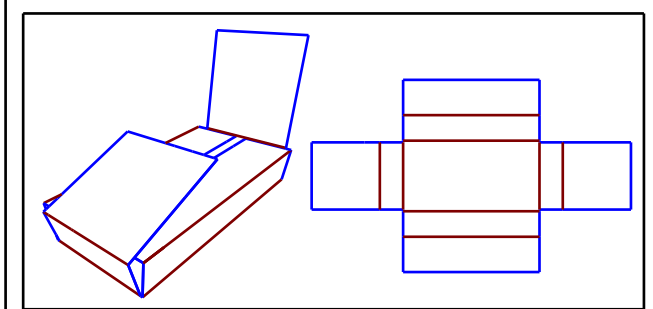
Fefco 0401ALT

Material B



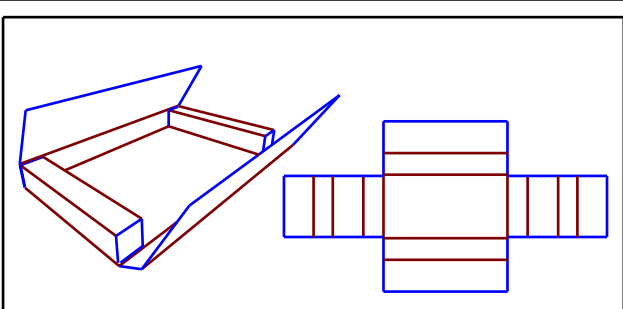
Fefco 0402

Material E,B,C,EB,BC



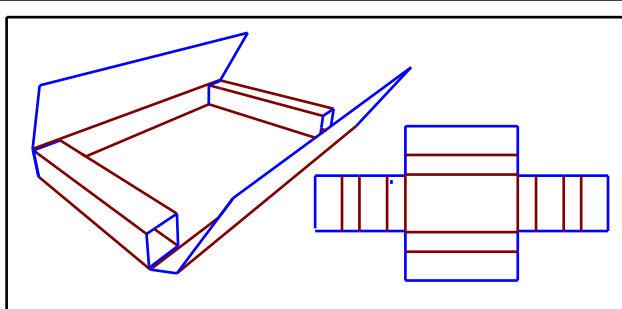
Fefco 0402A

Material N,F,G,E,B



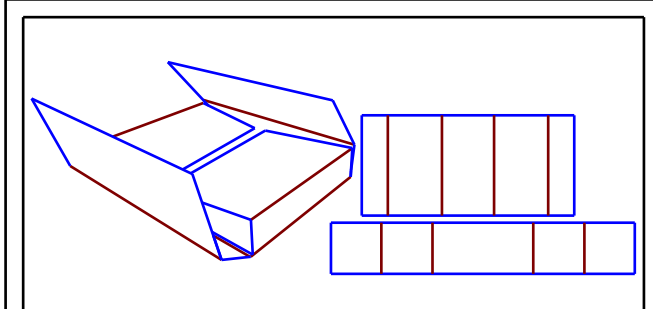
Fefco 0403

Material E,B,C,EB,BC



Fefco 0403A

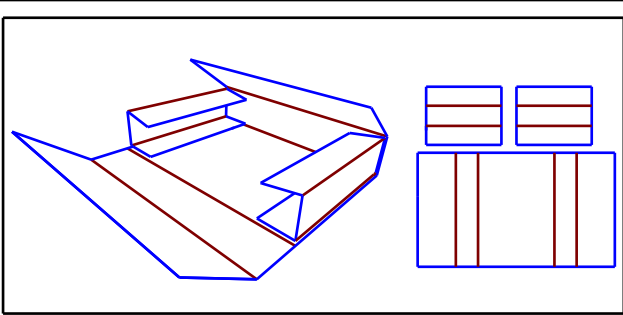
Material E,B,C,EB,BC



Fefco 0404

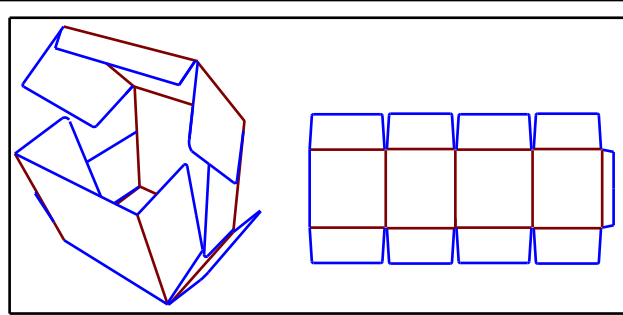
Material E,B,C,EB,BC

# 04 Folder & tray type boxes



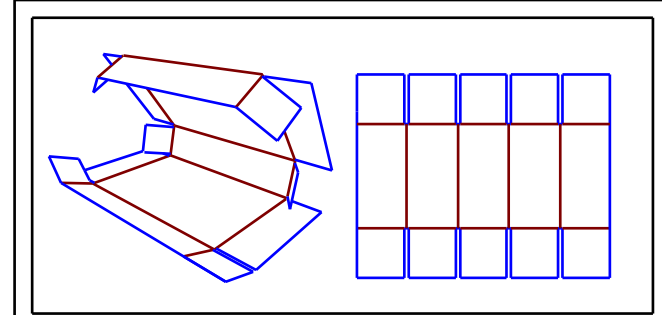
Fefco 0405

Material E,B,C,EB,BC



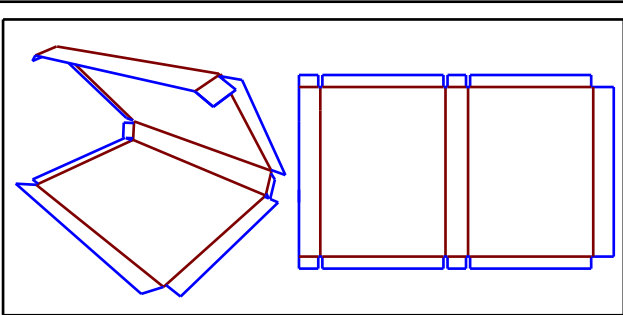
Fefco 0406

Material E,B,C,EB,BC



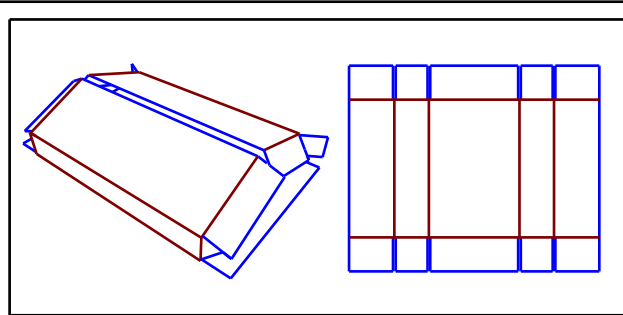
Fefco 0409

Material E,B,C,EB,BC



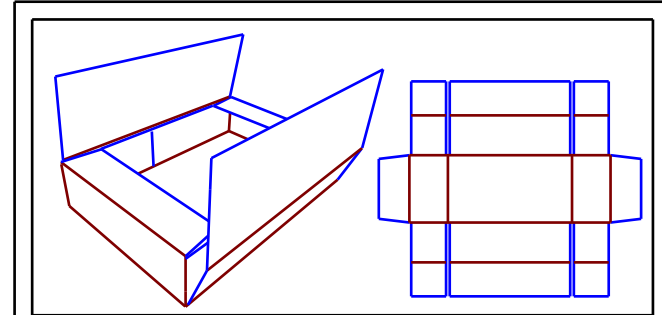
Fefco 0410

Material E,B,C,EB,BC



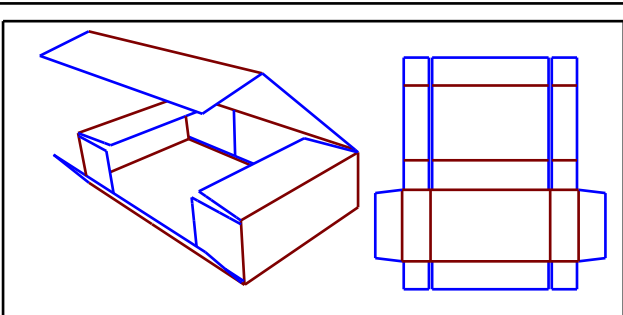
Fefco 0411

Material E,B,C,EB,BC



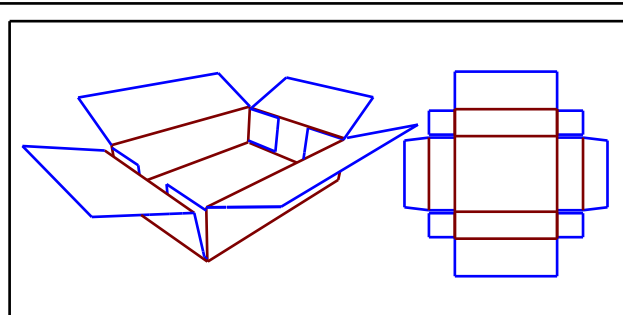
Fefco 0412

Material N,F,G,E,B



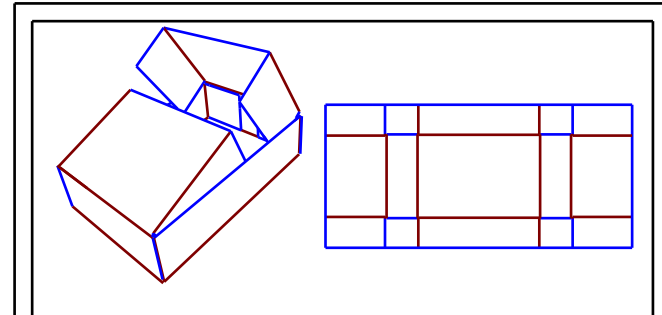
Fefco 0413

Material E,B,C,EB,BC



Fefco 0415

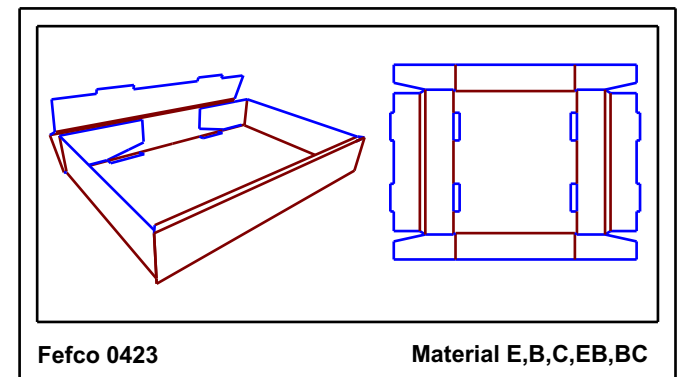
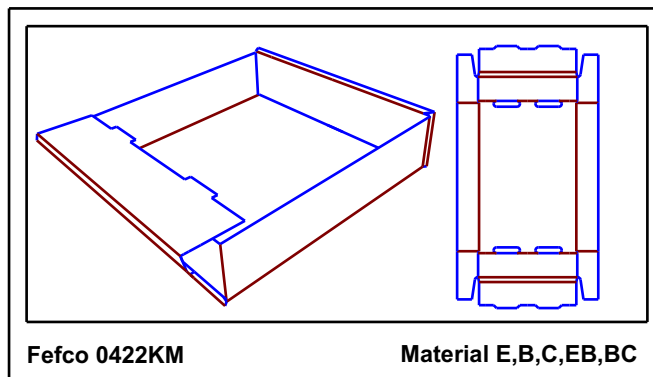
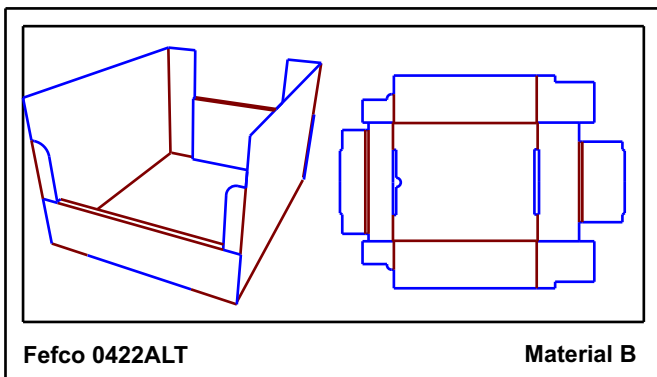
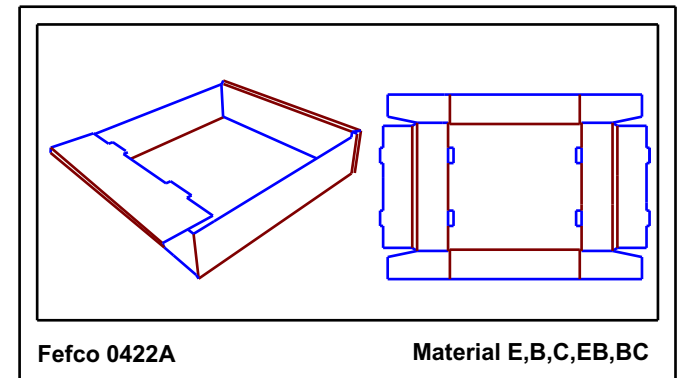
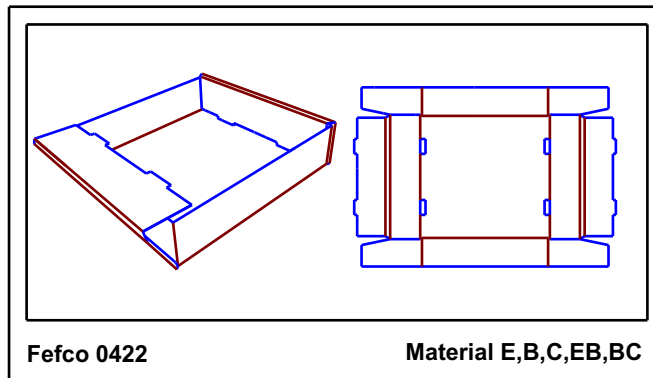
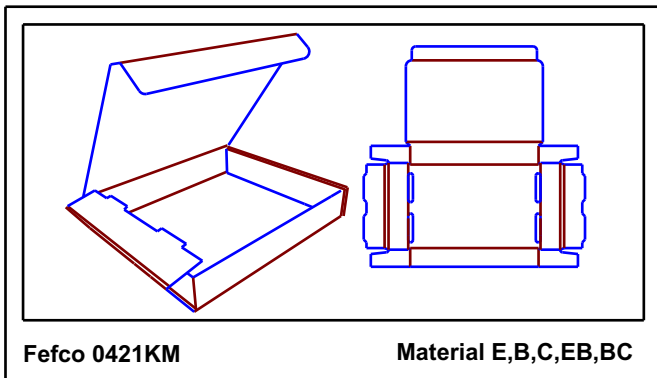
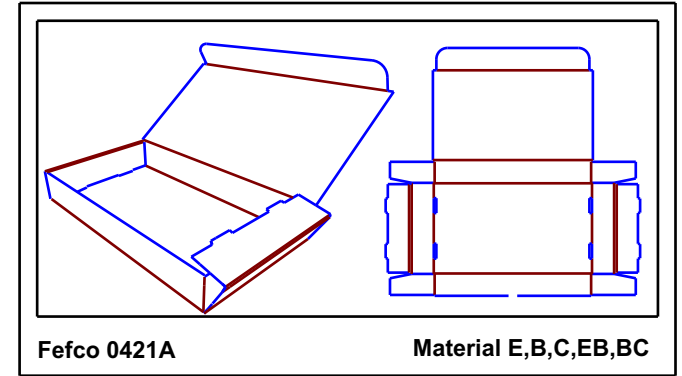
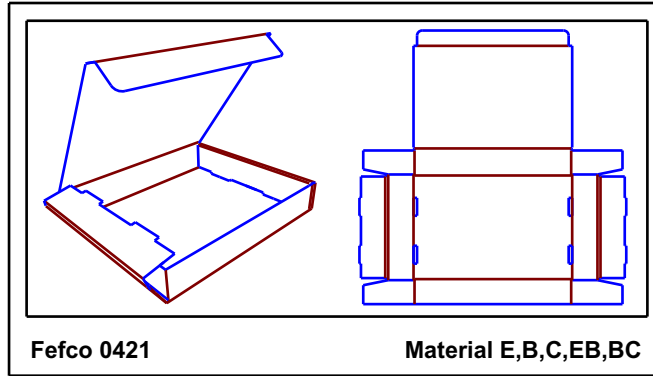
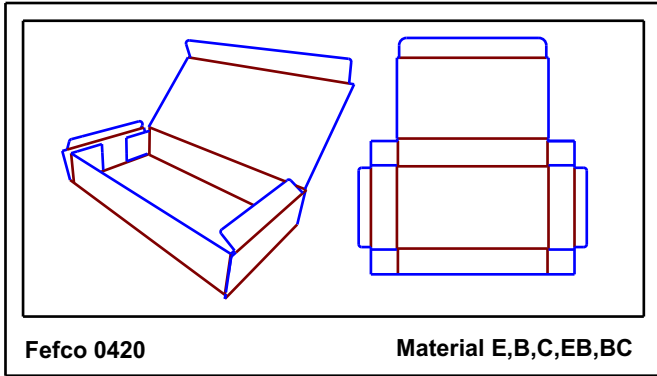
Material E,B,C,EB,BC



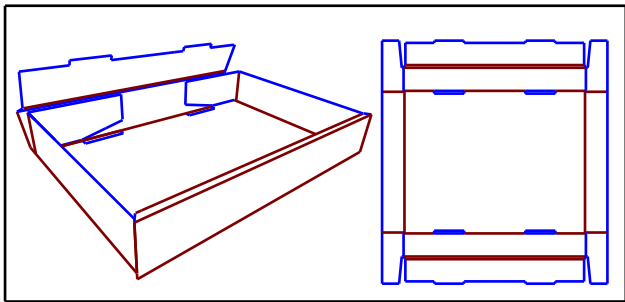
Fefco 0416

Material B

# 04 Folder & tray type boxes

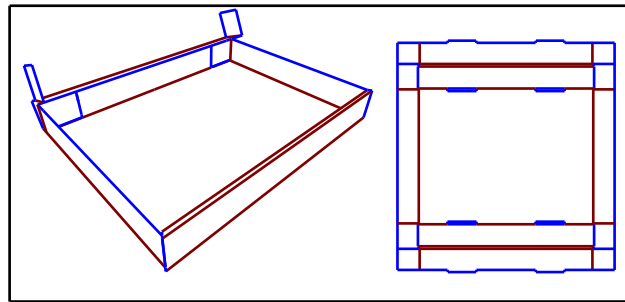


# 04 Folder & tray type boxes



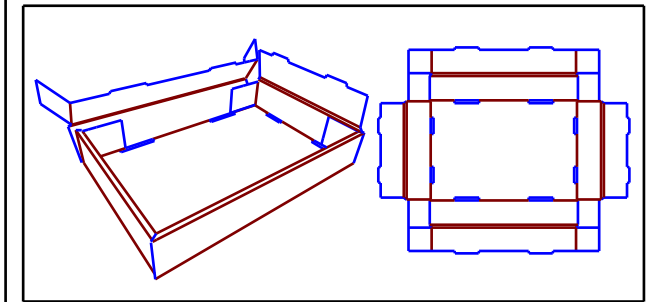
Fefco 0423A

Material E,B,C,EB,BC



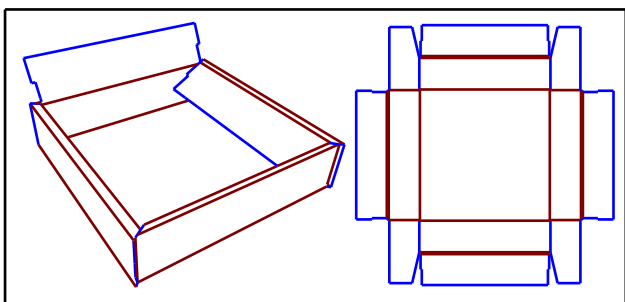
Fefco 0424

Material E,B,C,EB,BC



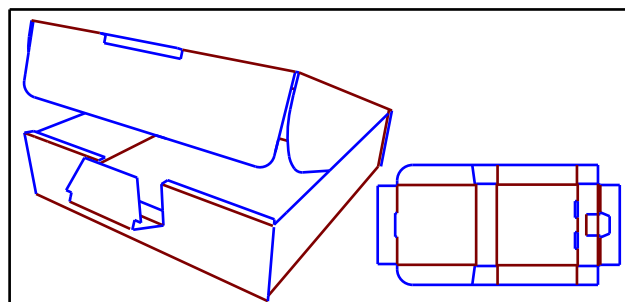
Fefco 0425

Material E,B,C,EB,BC



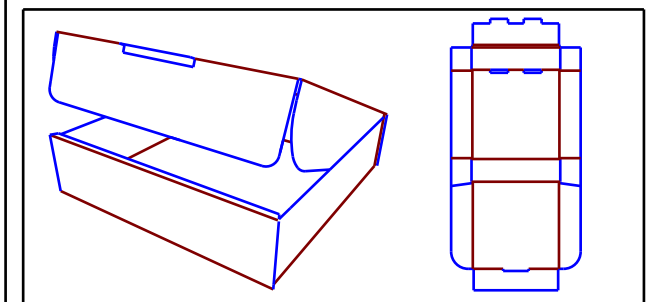
Fefco 0425A

Material E,B,C,EB,BC



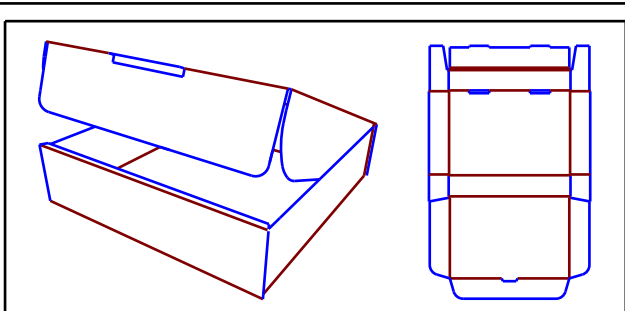
Fefco 0426

Material E,B,C,EB



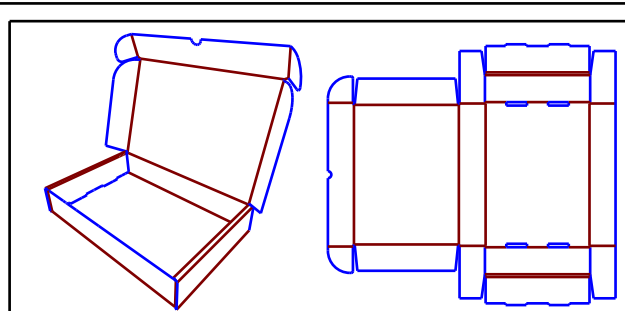
Fefco 0422A

Material E,B,C,EB,BC



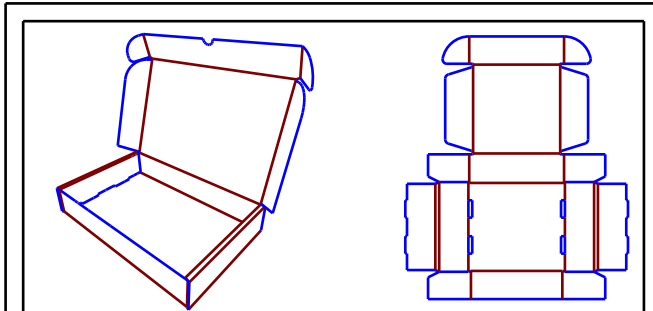
Fefco 0426B

Material E,B,C,EB,BC



Fefco 0427

Material E,B,C,EB

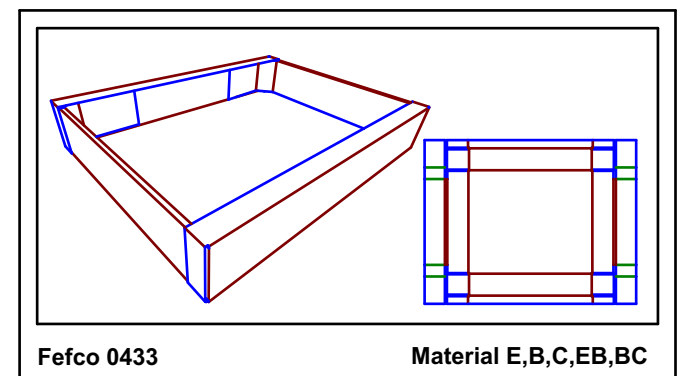
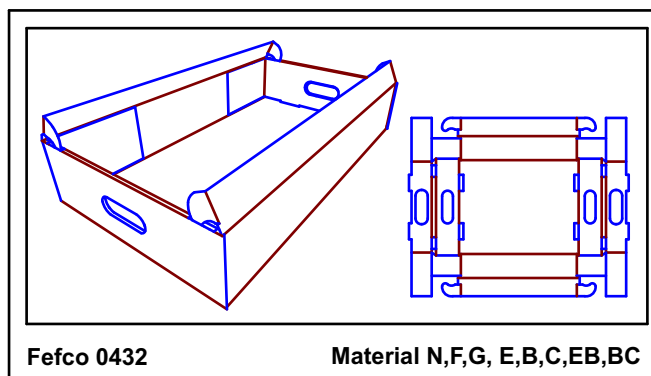
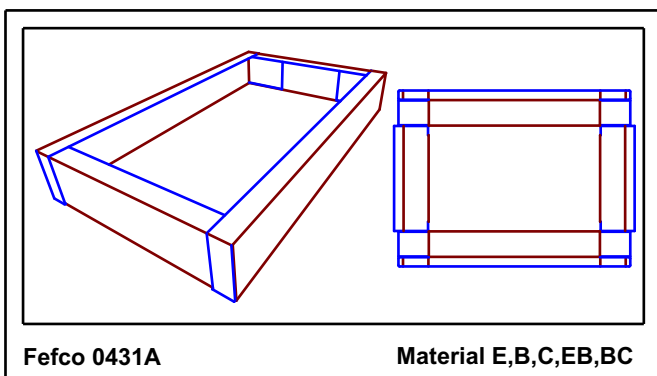
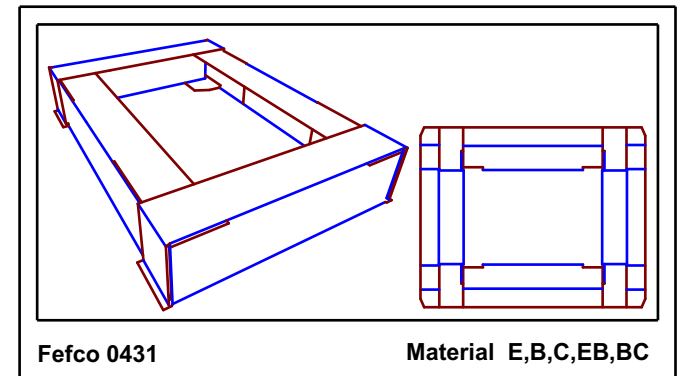
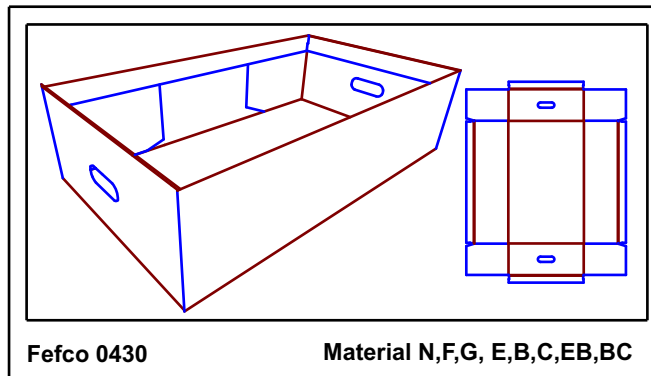
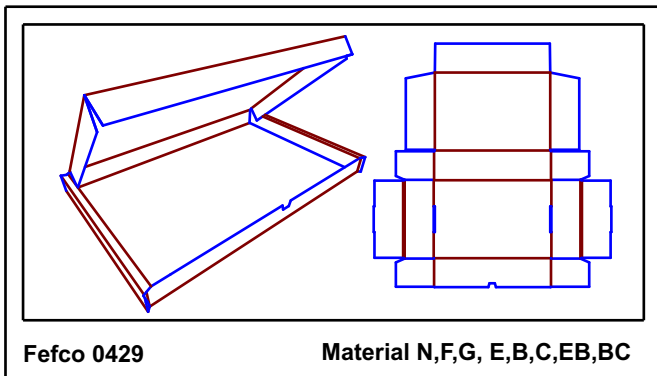
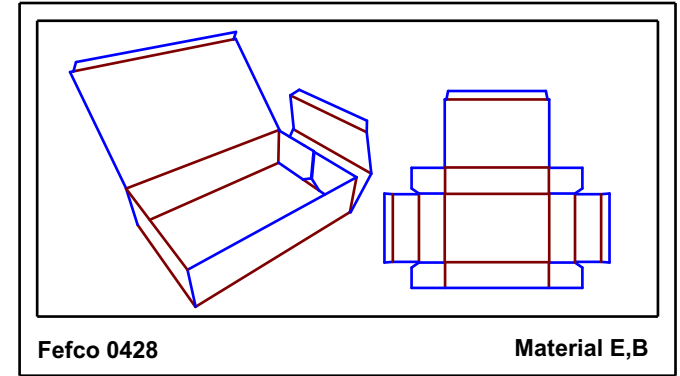
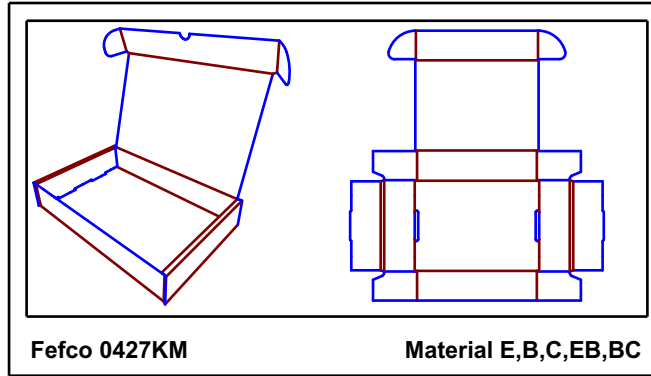
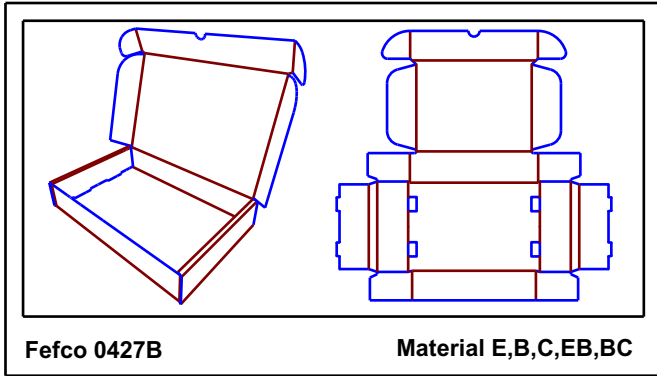


Fefco 0427A

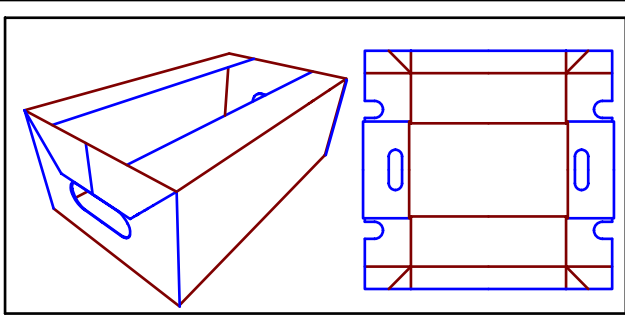
Material E,B,C,EB,BC



# 04 Folder & tray type boxes

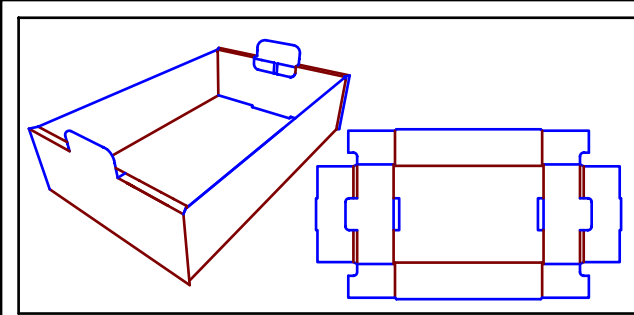


# 04 Folder & tray type boxes



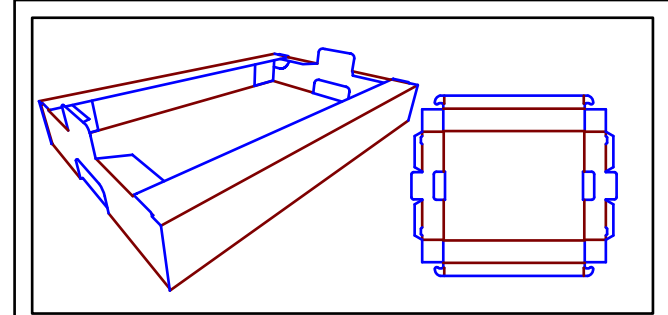
Fefco 0434

Material E,B,C,EB



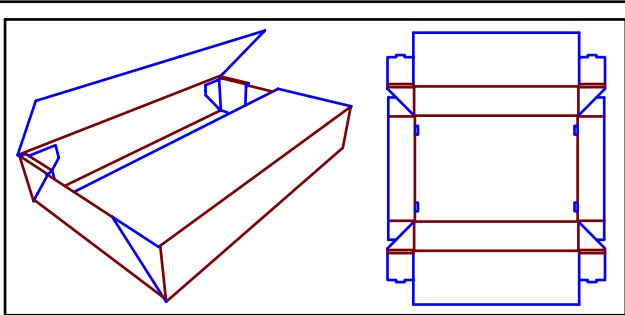
Fefco 0435

Material E,B,C,EB,BC



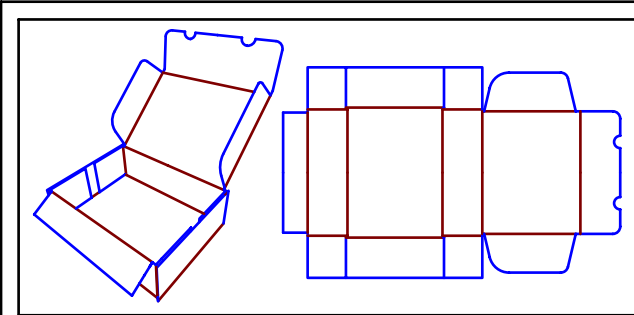
Fefco 0436

Material N,F,G, E,B,C,EB,BC



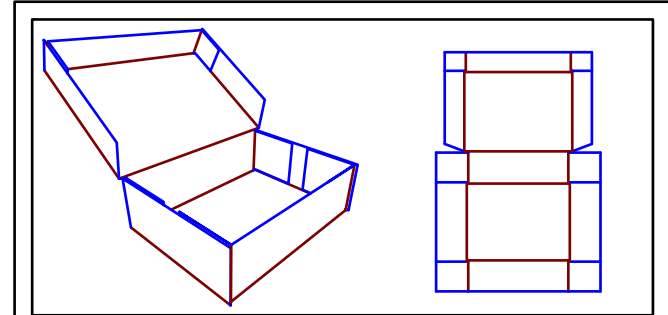
Fefco 0437

Material E,B,C,EB,BC



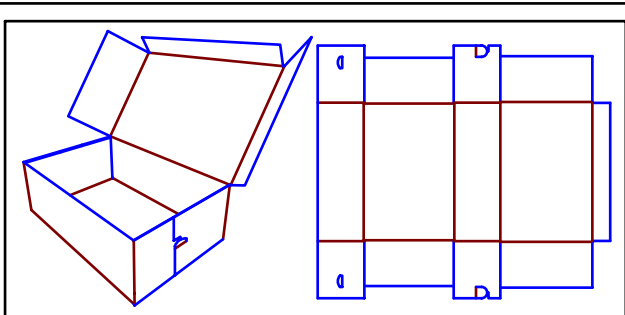
Fefco 0440

Material E,B,C,EB,BC



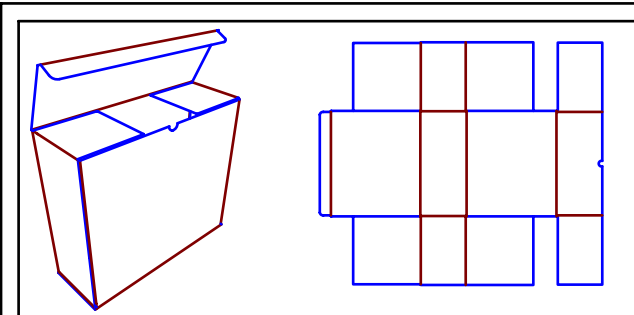
Fefco 0441

Material E,B,C,EB,BC



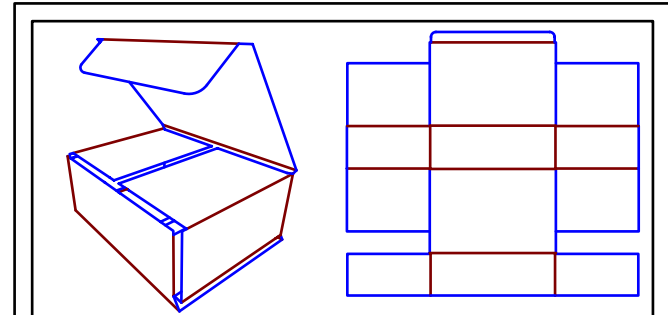
Fefco 0442

Material N,F,G, E,B,C,EB,BC



Fefco 0432

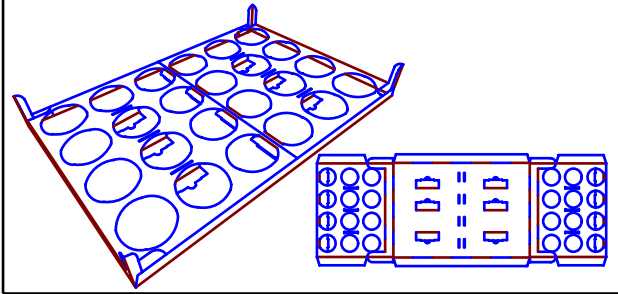
Material E,B,C,EB,BC



Fefco 0433A

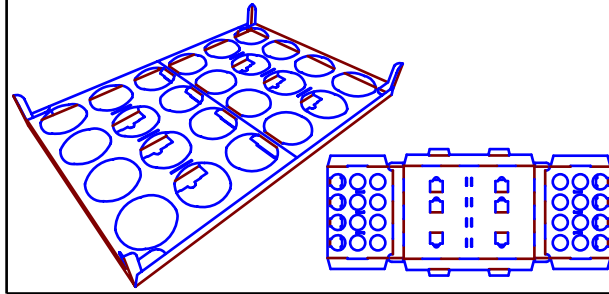
Material E,B,C,EB,BC

# 04 Folder & tray type boxes



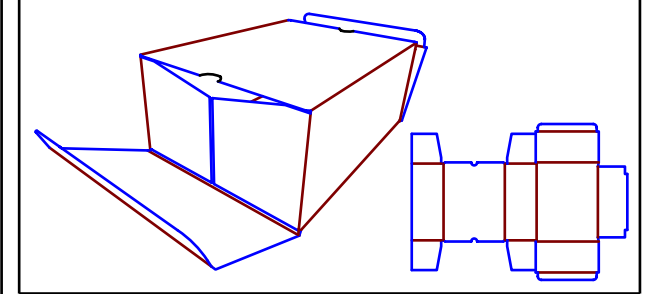
Fefco 0446

Material N,F,G, E,B,C,EB,BC



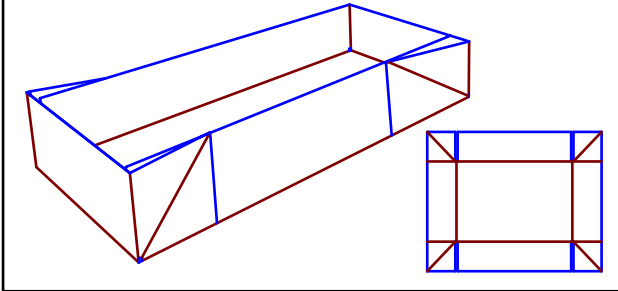
Fefco 0446A

Material N,F,G, E,B,C,EB,BC



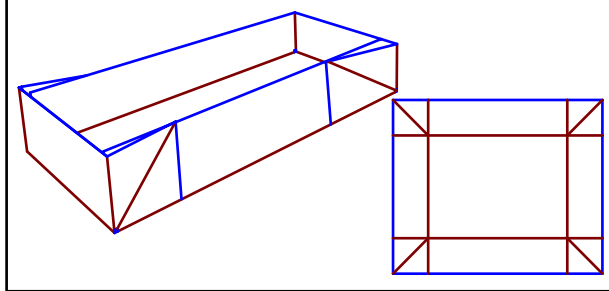
Fefco 0447

Material N,F,G, E,B,C,EB,BC



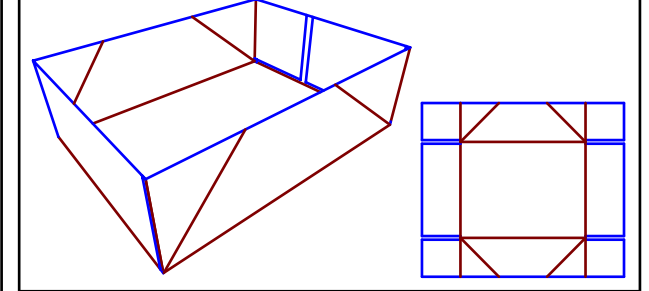
Fefco 0448

Material E,B,C,EB,BC



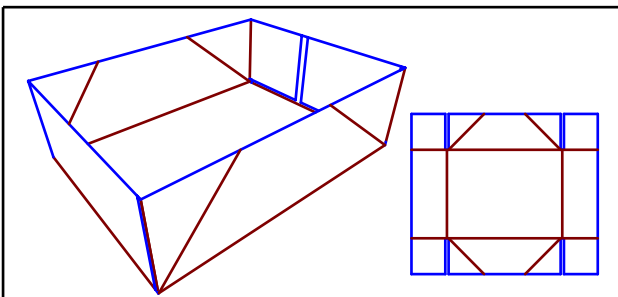
Fefco 0449

Material E,B,C,EB



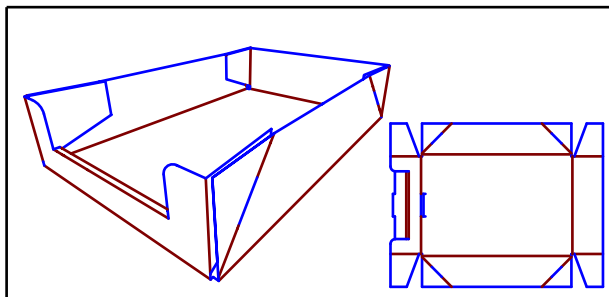
Fefco 0450

Material E,B,C,EB,BC



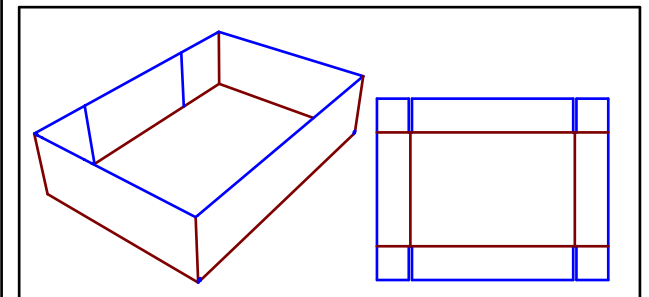
Fefco 0451

Material E,B,C,EB,BC



Fefco 0451A

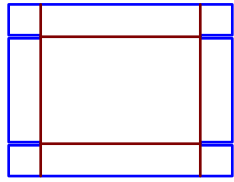
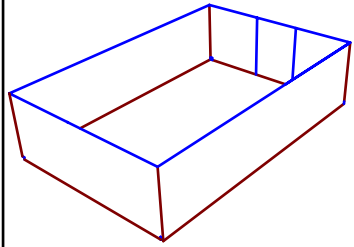
Material N,F,G, E,B,C,EB,BC



Fefco 0452

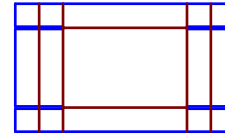
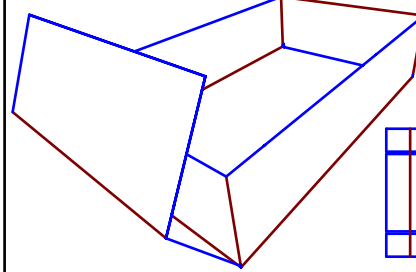
Material E,B,C,EB,BC

# 04 Folder & tray type boxes



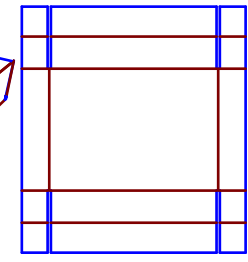
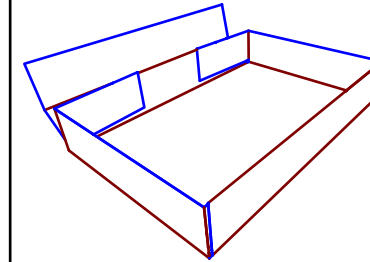
Fefco 0453

Material E,B,C,EB,BC



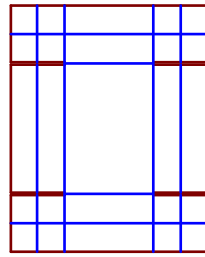
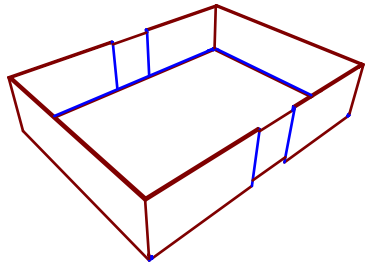
Fefco 0454

Material E,B,C,EB,BC



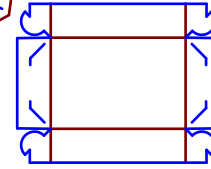
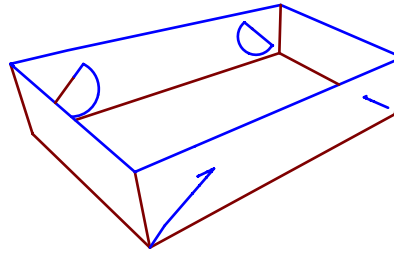
Fefco 0455

Material E,B,C,EB,BC



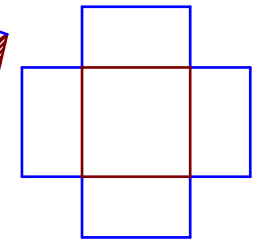
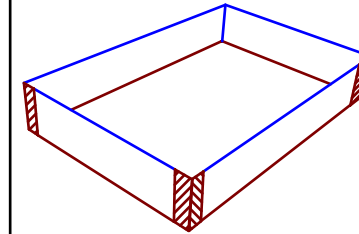
Fefco 0456

Material E,B,C,EB,BC



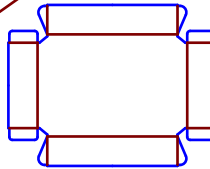
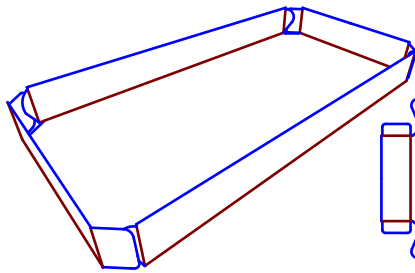
Fefco 0457

Material E



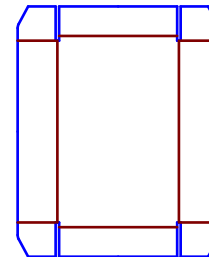
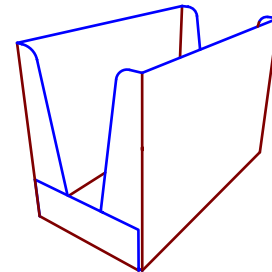
Fefco 0458

Material E,B,C,EB,BC



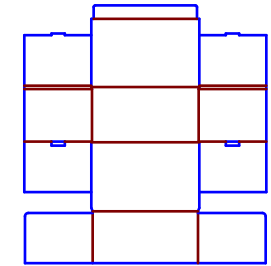
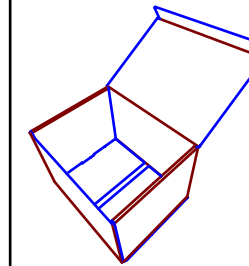
Fefco 0459

Material E,B,C,EB,BC



Fefco 0460

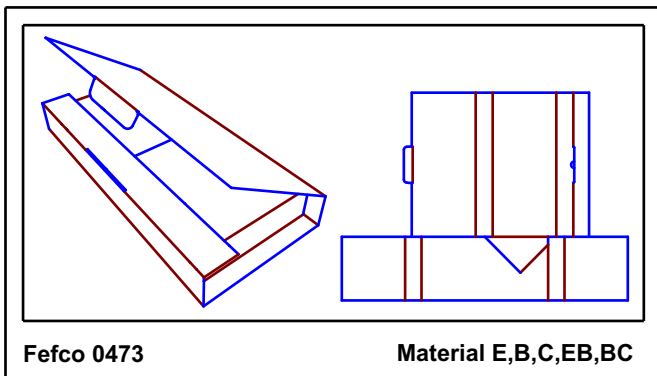
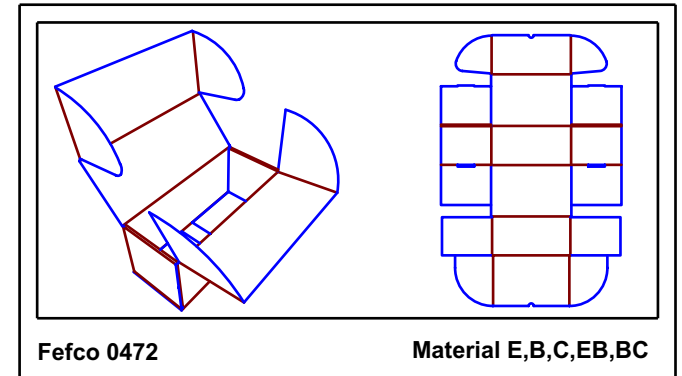
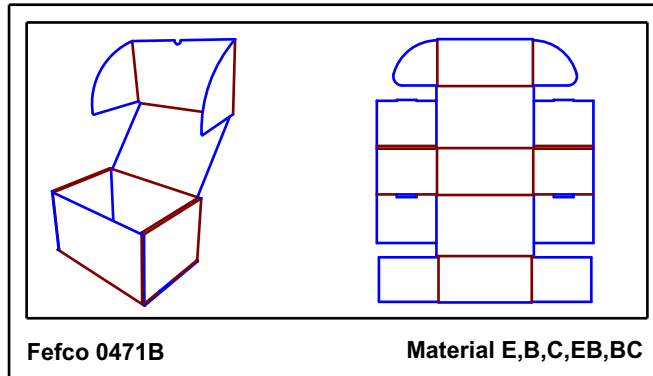
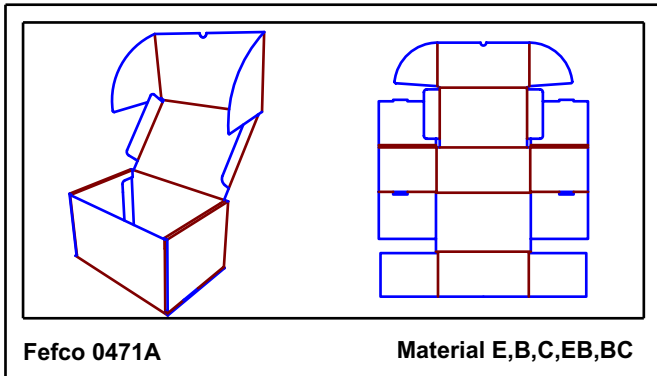
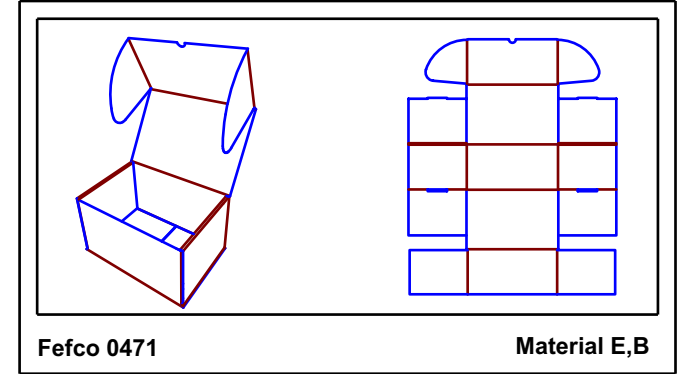
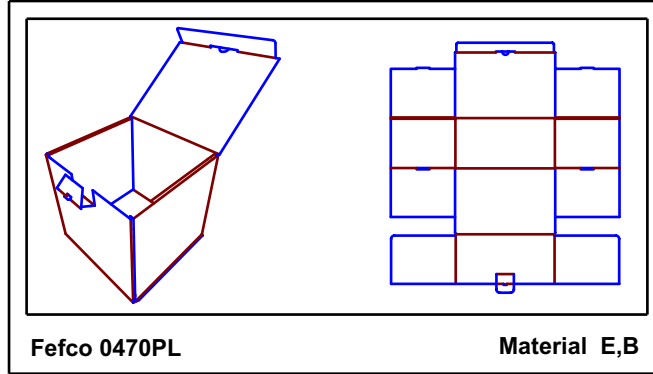
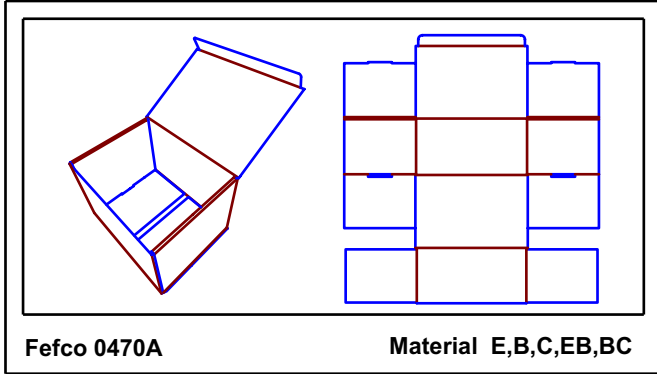
Material E,B,C,EB,BC



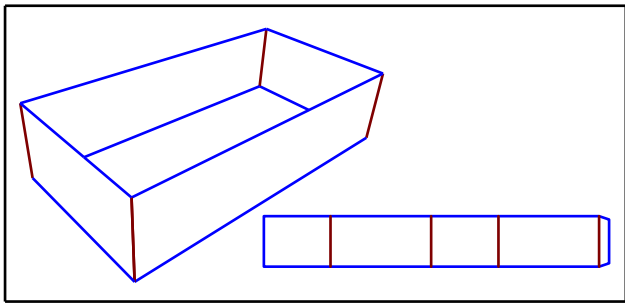
Fefco 0470

Material E,B,C,EB

# 04 Folder & tray type boxes

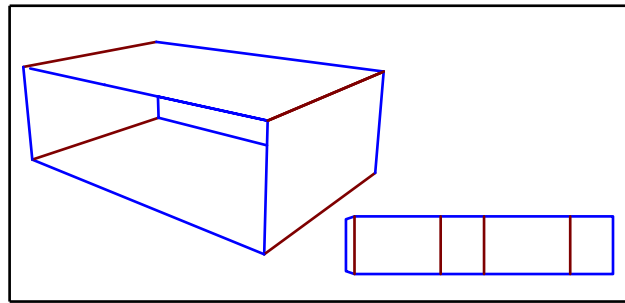


# 05 Slide type boxes



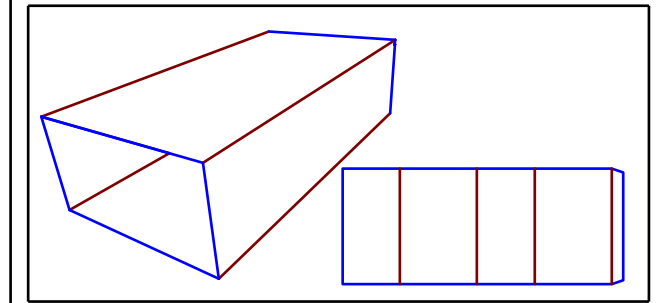
Fefco 0501

Material E,B,C,EB,BC



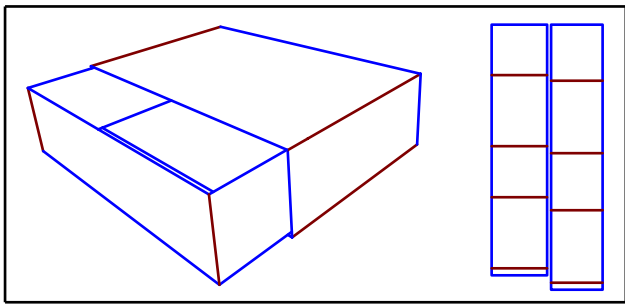
Fefco 0502

Material E,B,C,EB,BC



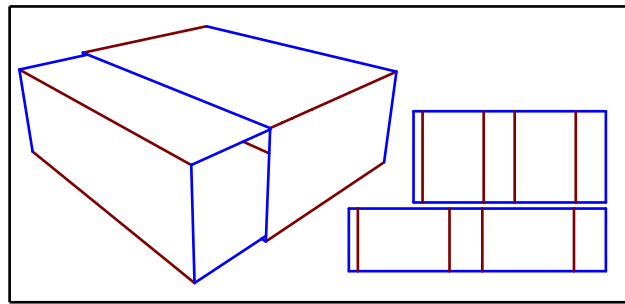
Fefco 0503

Material E,B,C,EB,BC



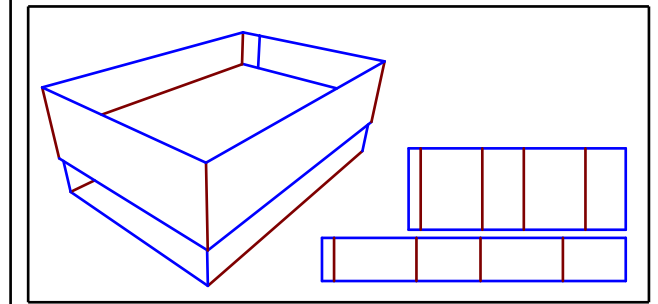
Fefco 0504

Material E,B,C,EB,BC



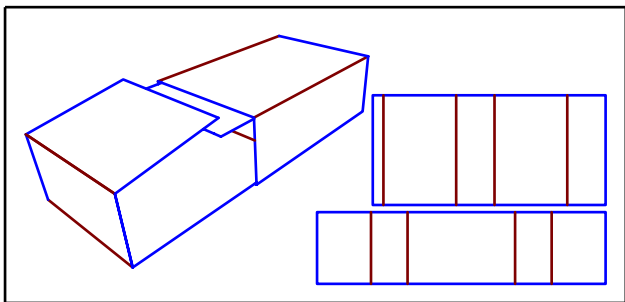
Fefco 0505

Material E,B,C,EB,BC



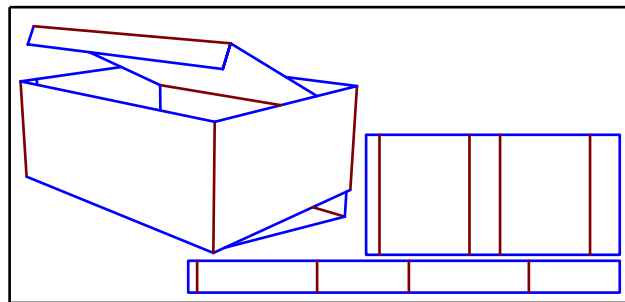
Fefco 0507

Material E,B,C,EB,BC



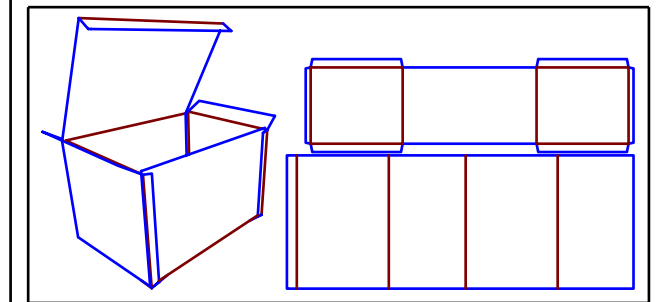
Fefco 0509

Material E,B,C,EB,BC



Fefco 0510

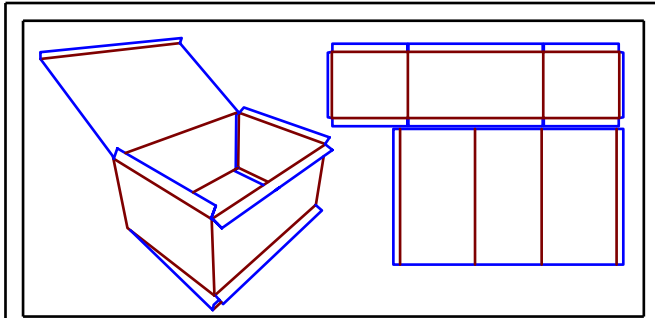
Material E,B,C,EB,BC



Fefco 0511

Material E,B,C,EB

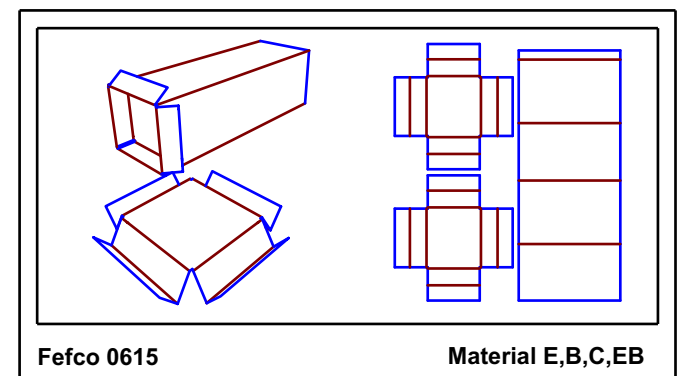
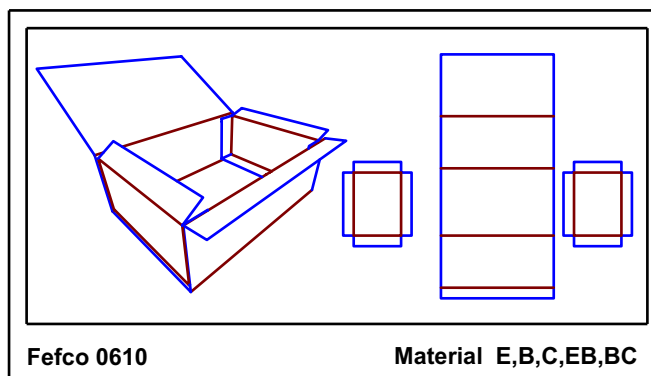
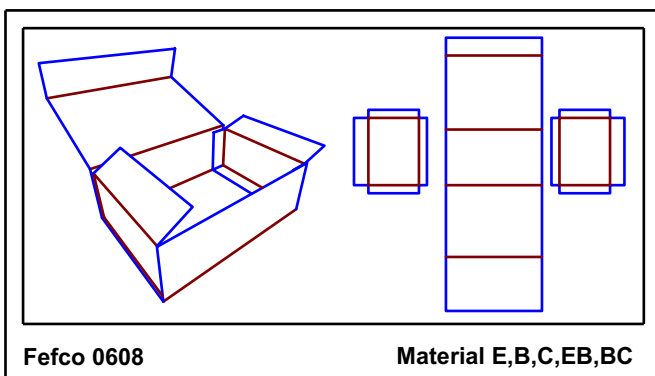
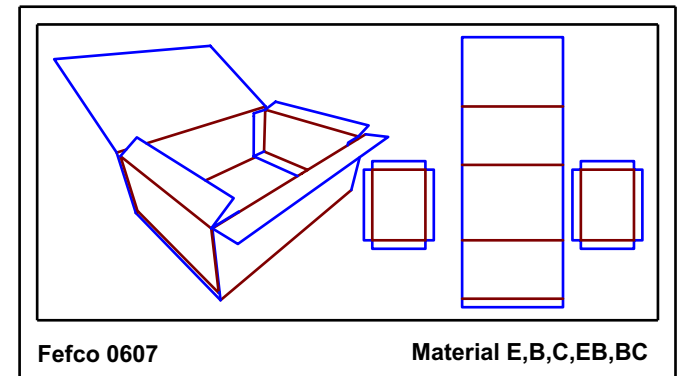
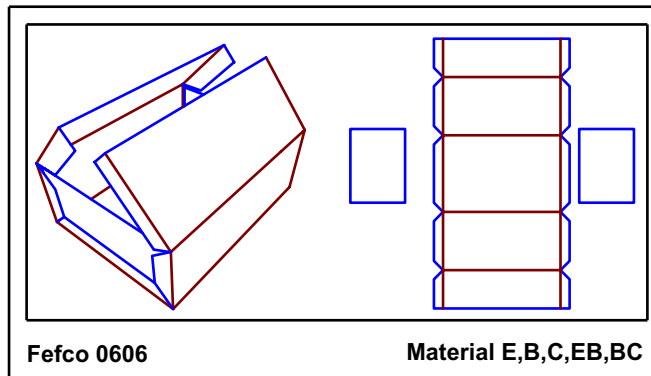
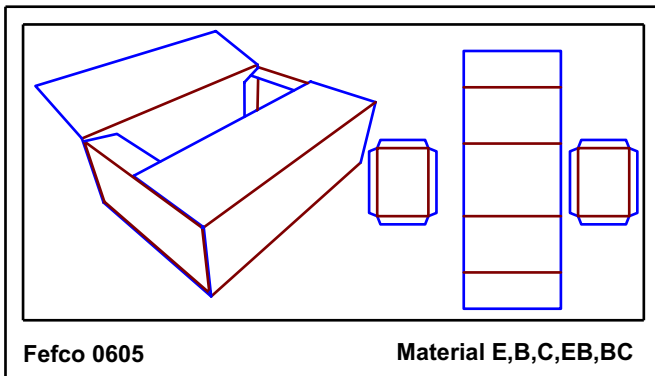
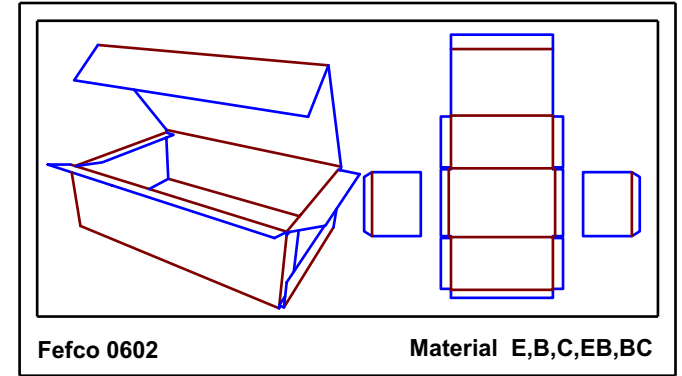
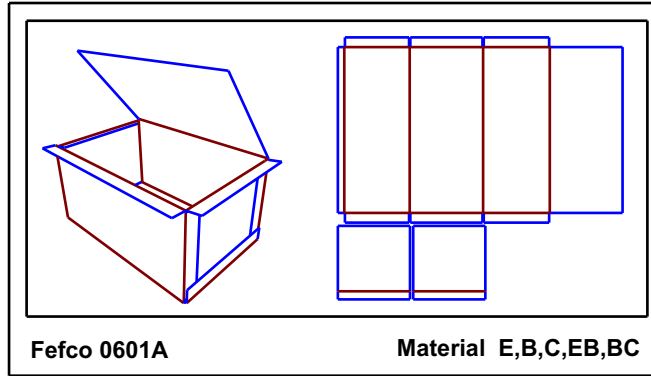
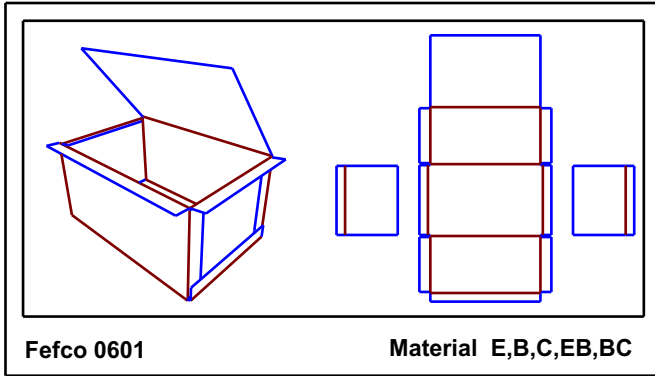
## 05 Slide type boxes



Fefco 0512

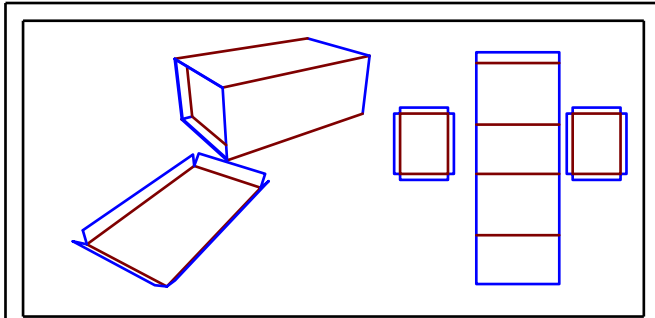
Material E,B,C,EB,BC

# 06 Rigid multi-piece boxes



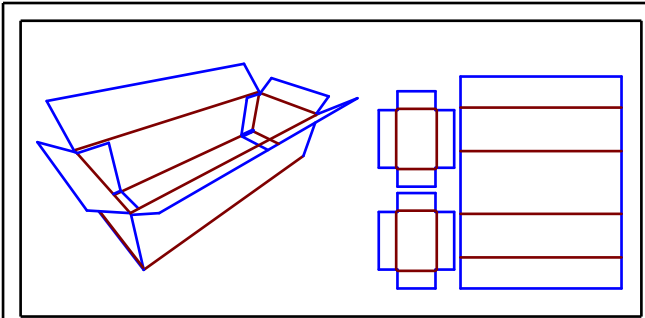


## 06 Rigid multi-piece boxes



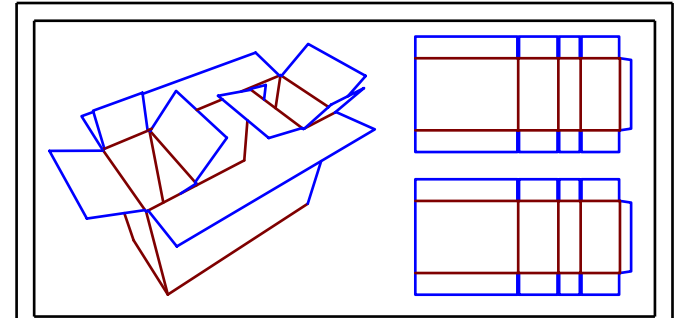
Fefco 0616

Material E,B,C,EB,BC



Fefco 0620

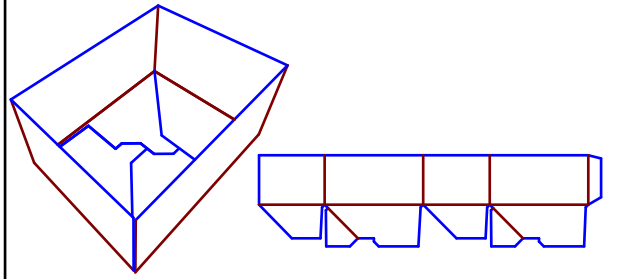
Material E,B,C,EB,BC



Fefco 0621

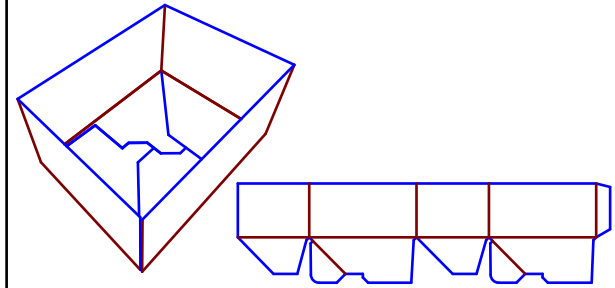
Material E,B,C,EB,BC

# 07 Ready glued cases



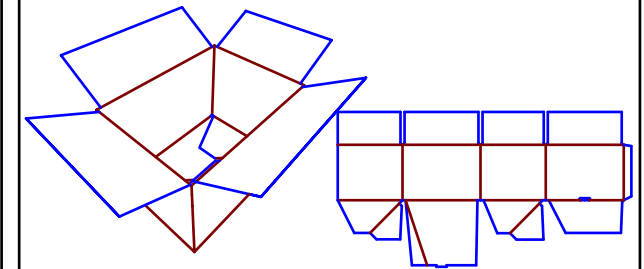
Fefco 0700

Material E,B,C,EB,BC



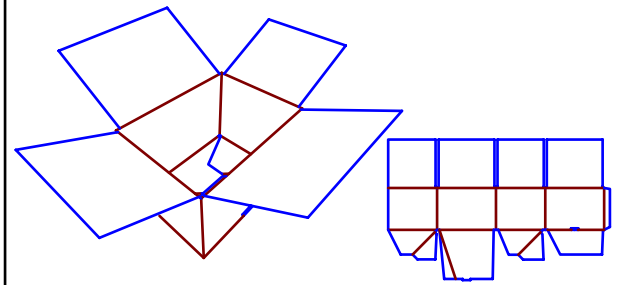
Fefco 0700A

Material E,B,C,EB,BC



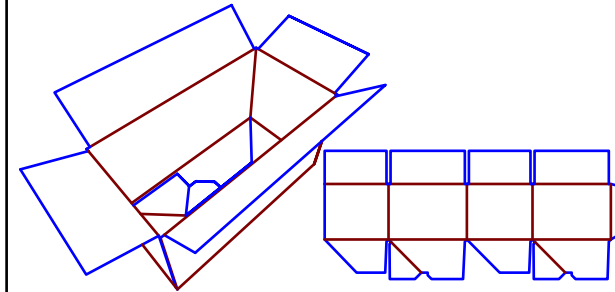
Fefco 0701

Material N,F,G, E,B,C,EB,BC



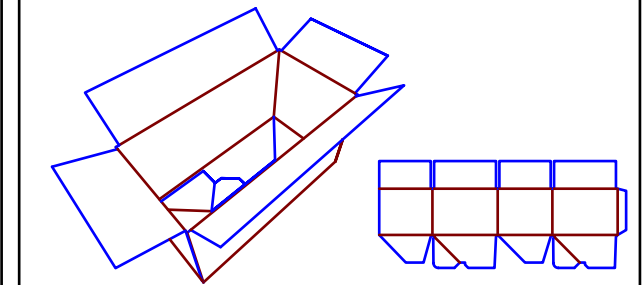
Fefco 0703

Material N,F,G,E,B,C,EB,BC



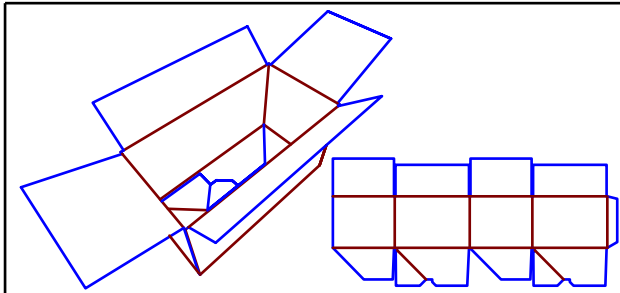
Fefco 0711

Material E,B,C,EB,BC



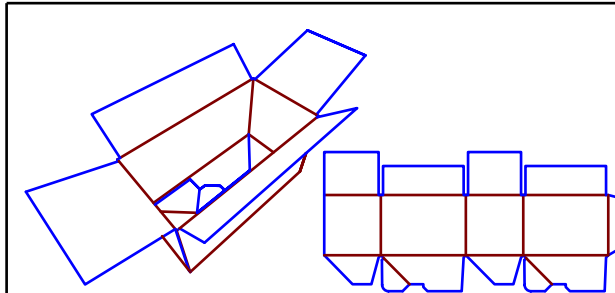
Fefco 0711A

Material E,B,C,EB,BC



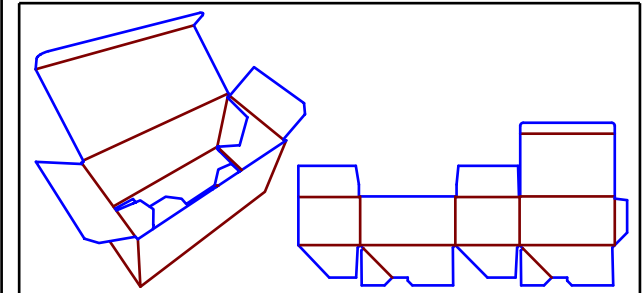
Fefco 0712

Material E,B,C,EB,BC



Fefco 0712A

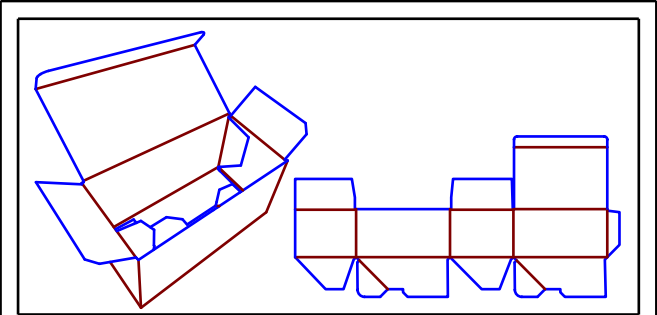
Material E,B,C,EB,BC



Fefco 0713

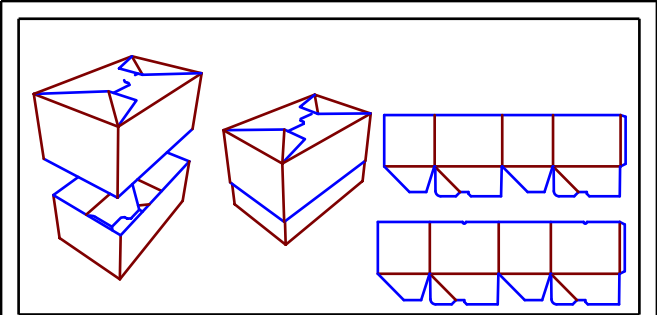
Material E,B,C,EB

# 07 Ready glued cases



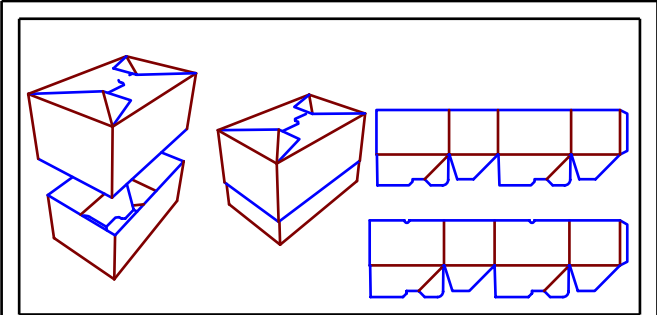
Fefco 0713A

Material E,B,C,EB,BC



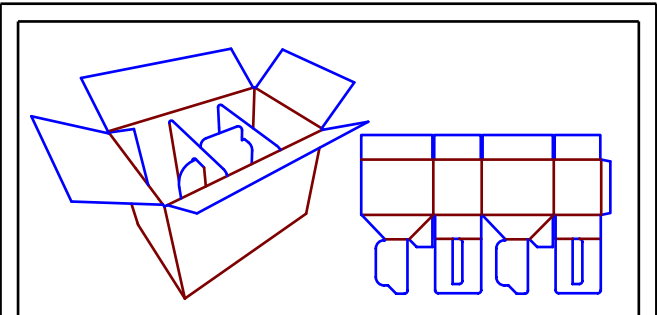
Fefco 0714

Material N,F,G, E,B,C,EB,BC



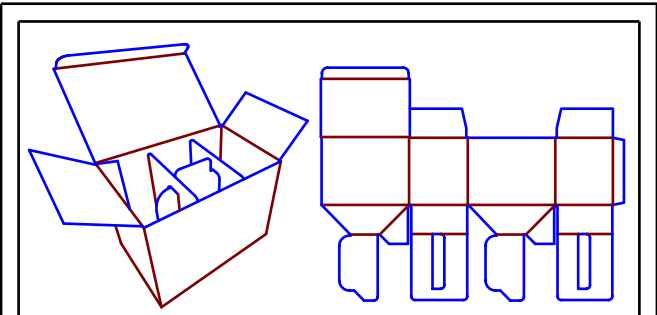
Fefco 0714A

Material N,F,G, E,B,C,EB,BC



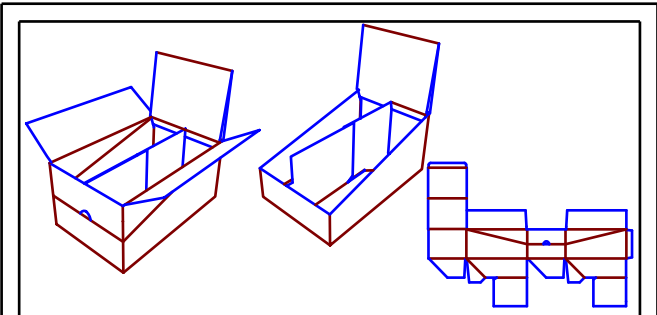
Fefco 0715

Material E,B



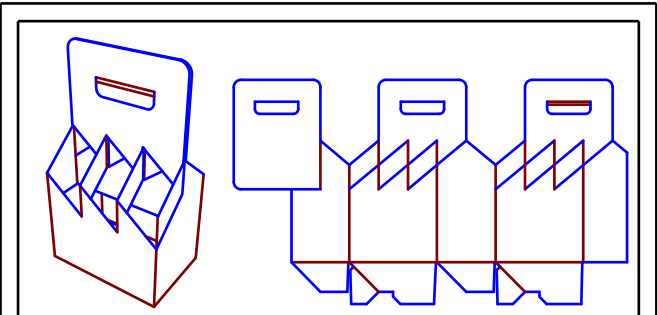
Fefco 0715A

Material E,B



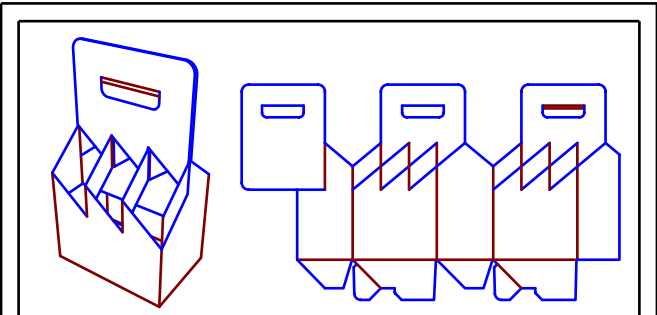
Fefco 0716

Material N,F,G,E,B,C,EB,BC



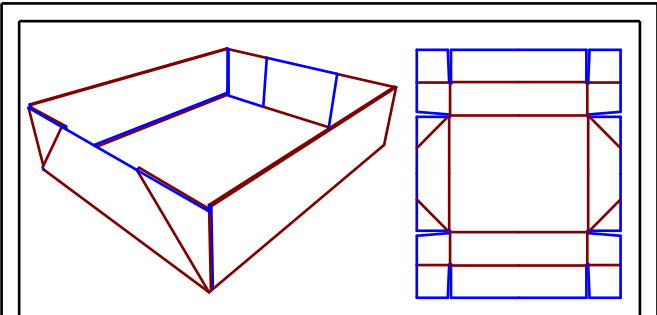
Fefco 0717

Material E,B,C,EB,BC



Fefco 0717A

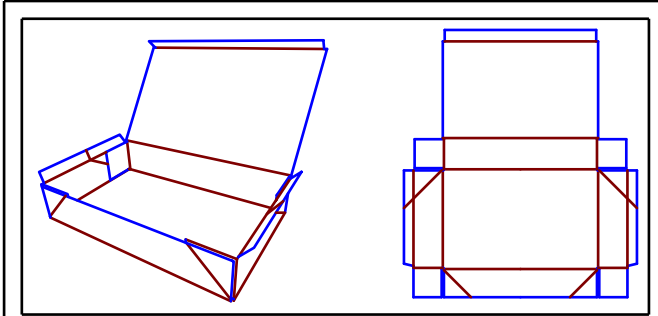
Material E,B,C,EB,BC



Fefco 0718

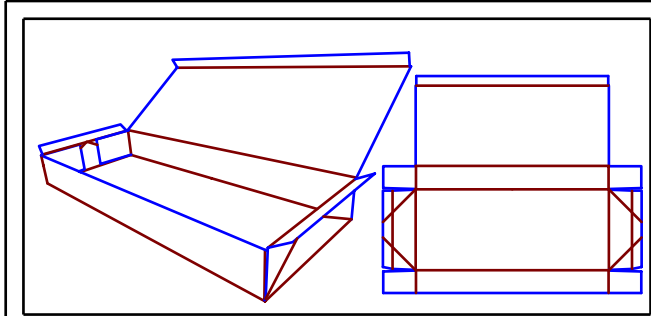
Material N,F,G, E,B,C,EB,BC

# 07 Ready glued cases



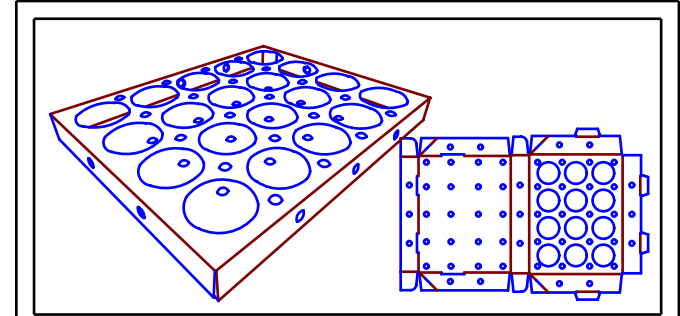
Fefco 0747

Material N,F,G, E,B,C,EB,BC



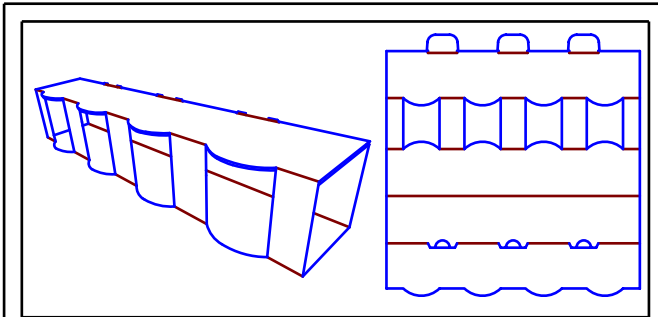
Fefco 0748

Material N,F,G, E,B,C,EB,BC



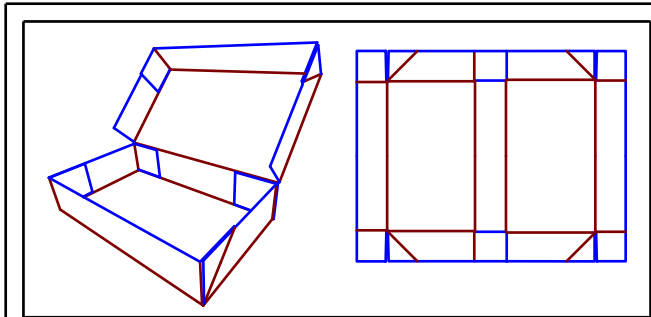
Fefco 0751

Material N,F,G, E,B,C,EB,BC



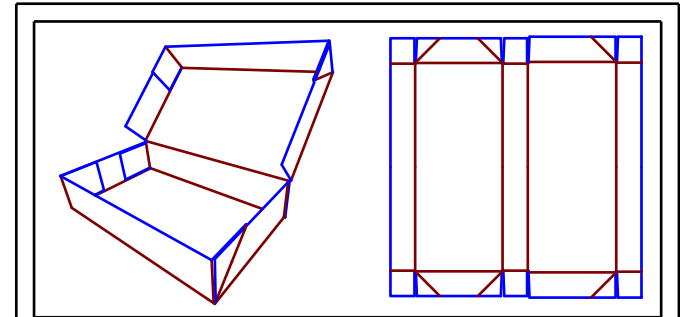
Fefco 0752

Material E,B,C,EB,BC



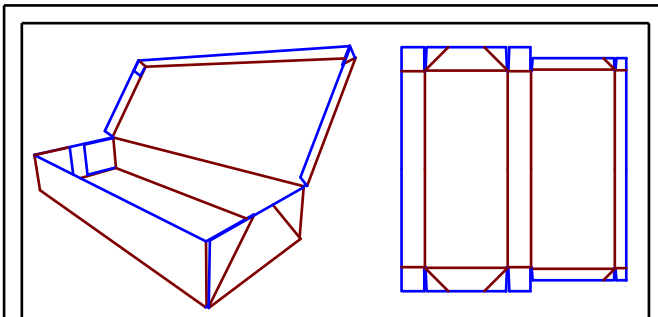
Fefco 0759

Material N,F,G,E,B,C,EB,BC



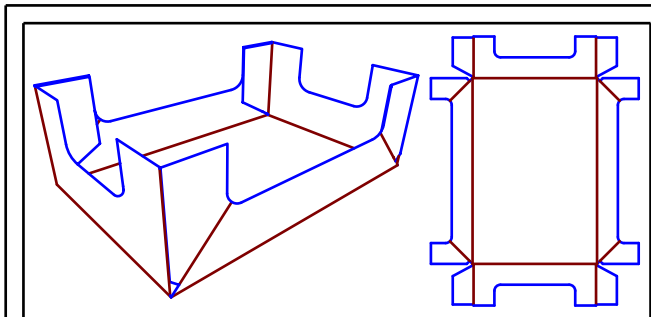
Fefco 0760

Material N,F,G,E,B,C,EB,BC



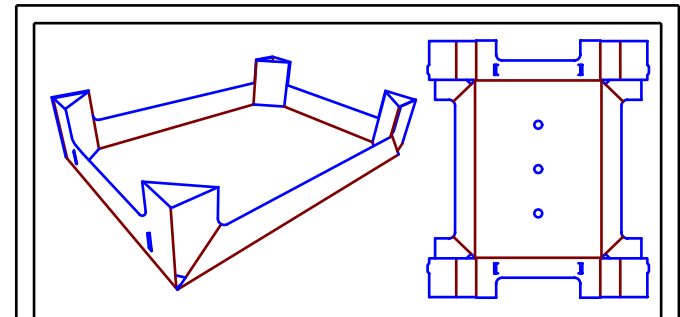
Fefco 0761

Material E,B,C,EB,BC



Fefco 0770

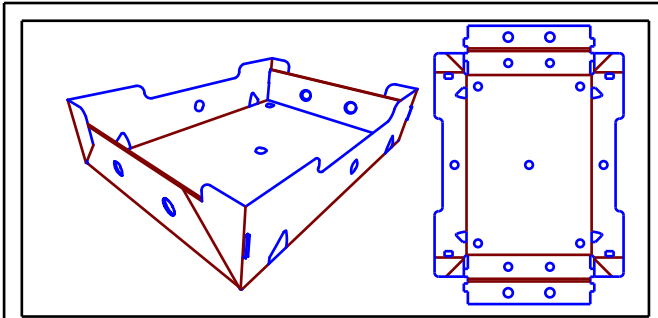
Material E,B,C,EB,BC



Fefco 0771

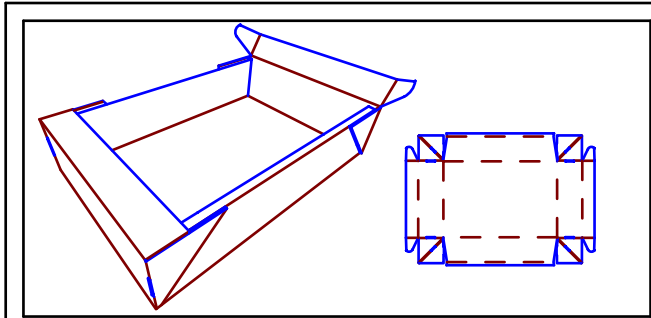
Material E,B,C,EB,BC

## 07 Ready glued cases



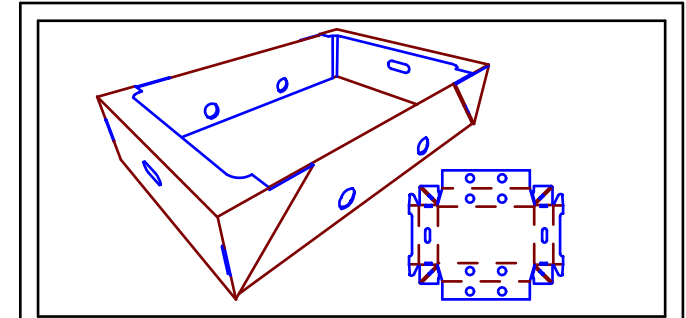
Fefco 0772

Material N,F,G, E,B,C,EB,BC



Fefco 0773

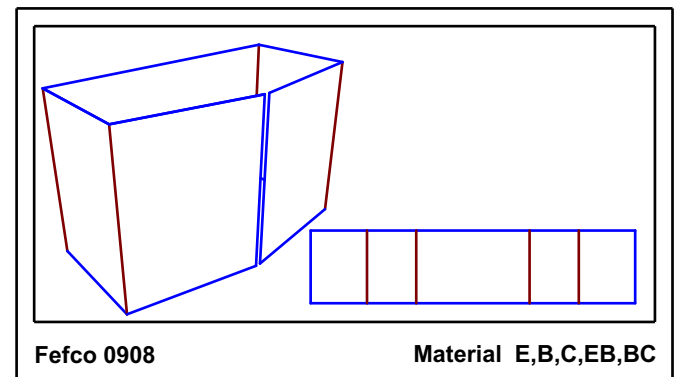
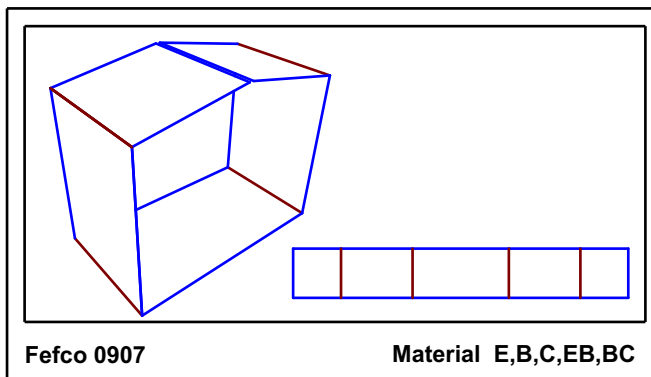
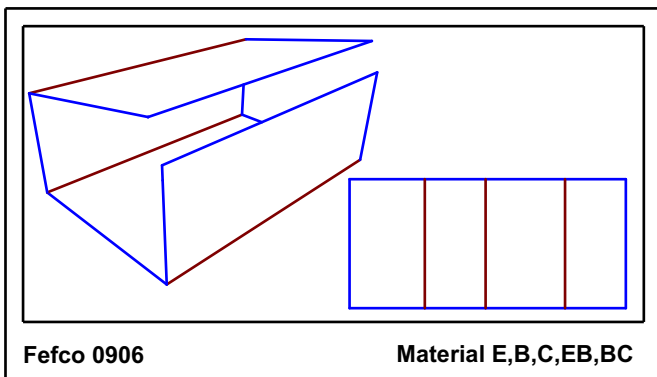
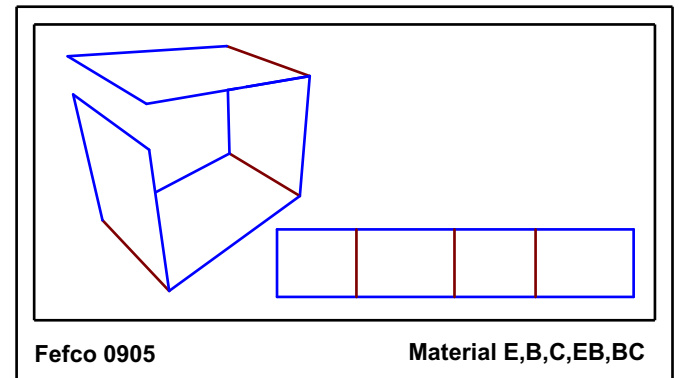
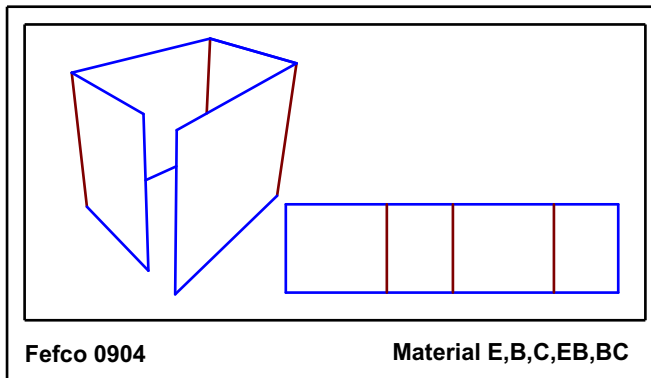
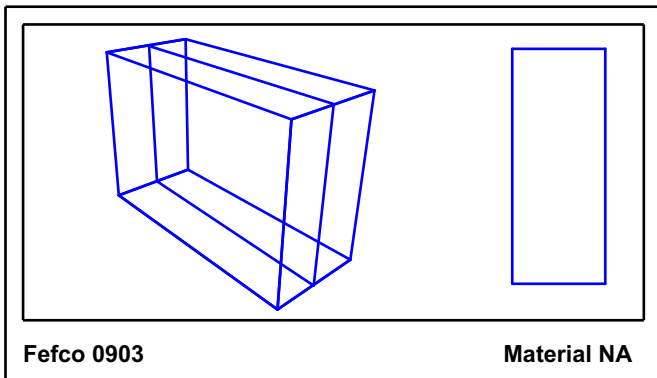
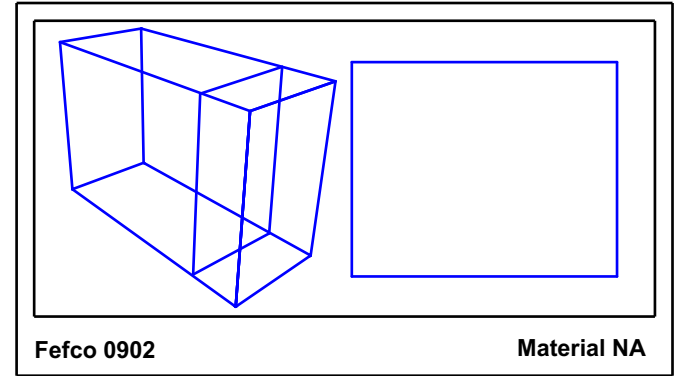
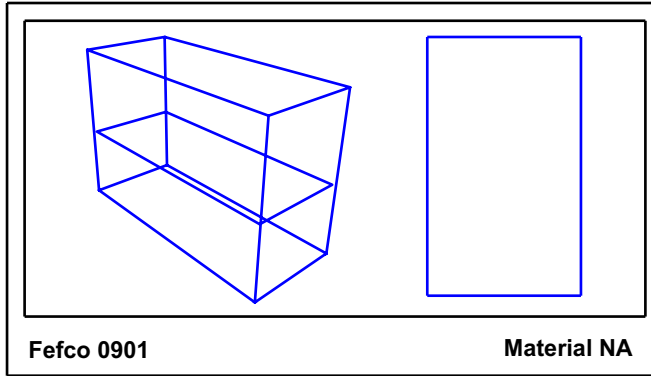
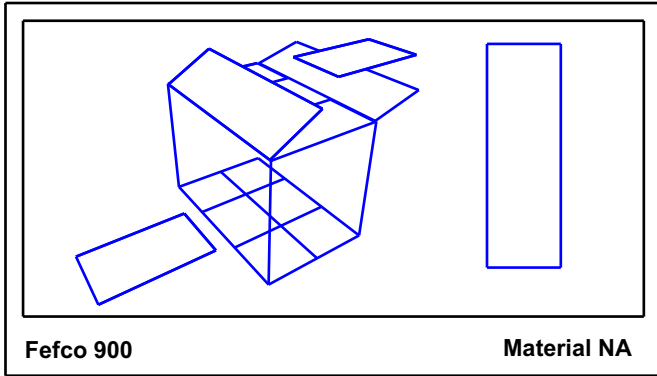
Material N,F,G, E,B,C,EB,BC



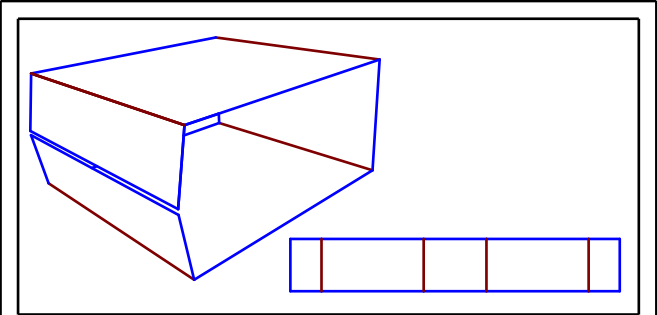
Fefco 0774

Material N,F,G, E,B,C,EB,BC

# 09 Interior fitments

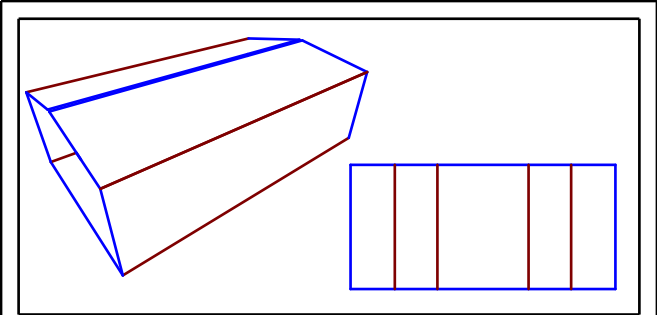


# 09 Interior fitments



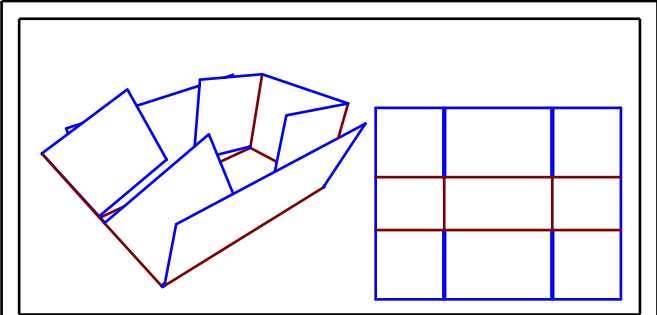
Fefco 0909

Material E,B,C,EB,BC



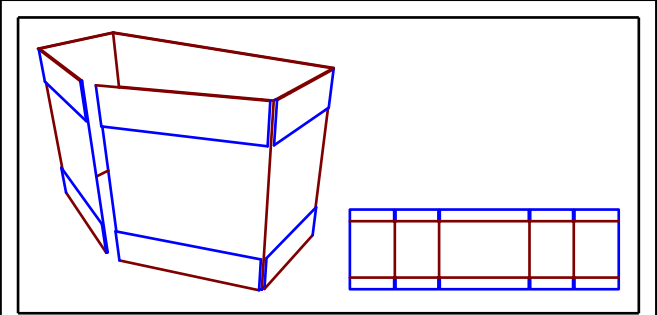
Fefco 0910

Material E,B,C,EB,BC



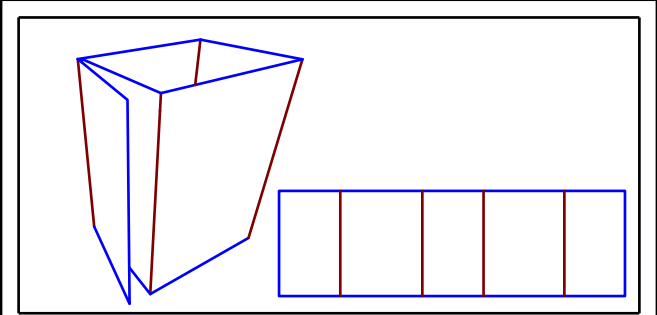
Fefco 0911

Material E,B,C,EB,BC



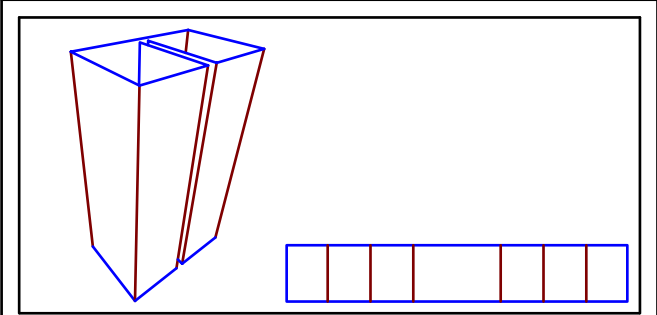
Fefco 0913

Material E,B,C,EB,BC



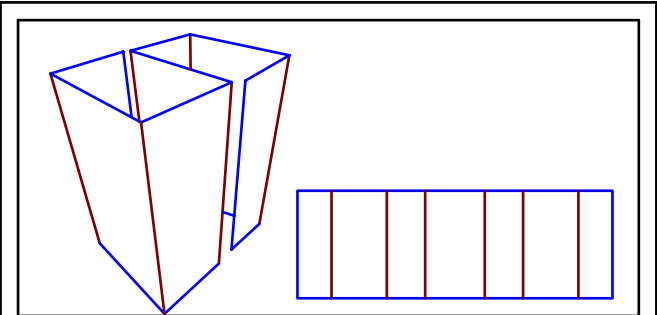
Fefco 0914

Material E,B,C,EB,BC



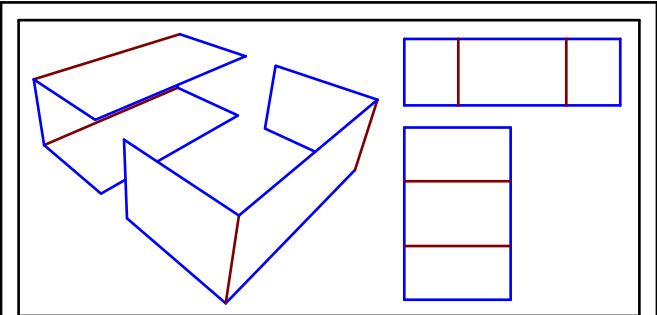
Fefco 0920

Material E,B,C,EB,BC



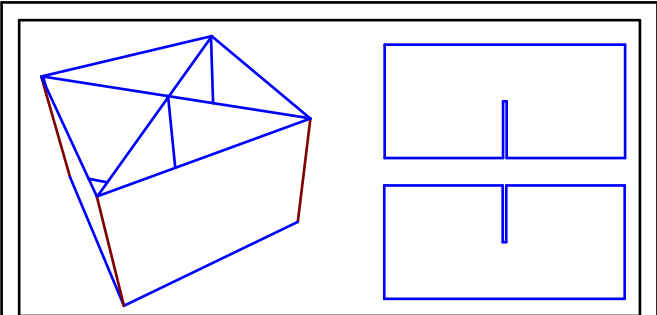
Fefco 0921

Material E,B,C,EB,BC



Fefco 0929

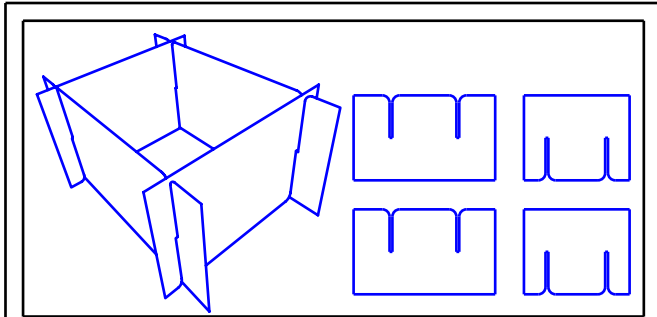
Material E,B,C,EB,BC



Fefco 0930

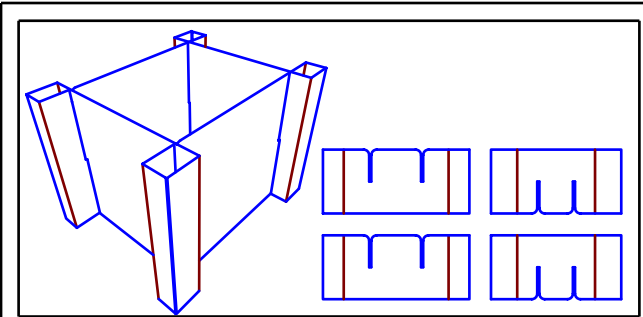
Material E,B,C,EB,BC

# 09 Interior fitments



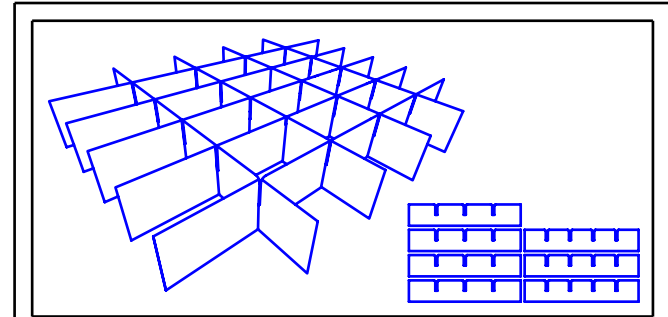
Fefco 0931

Material E,B,C,EB,BC



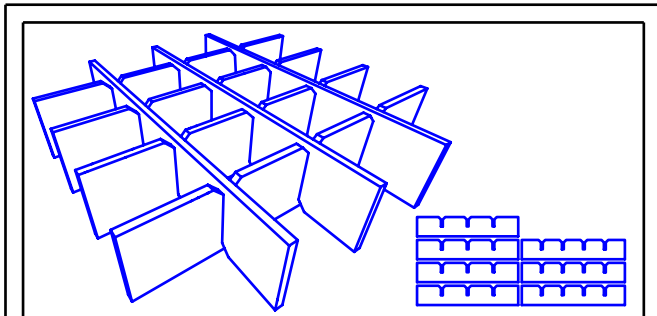
Fefco 0932

Material E,B,C,EB,BC



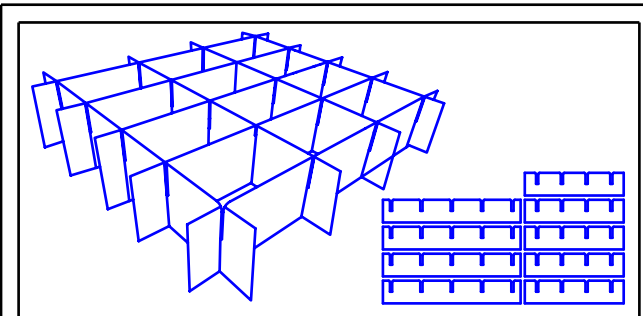
Fefco 0933

Material E,B,C,EB,BC



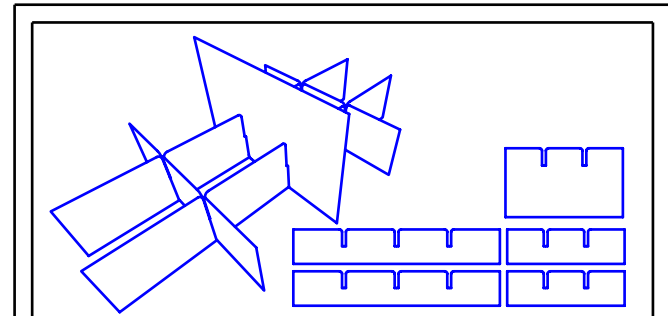
Fefco 0933A

Material E,B,C,EB,BC



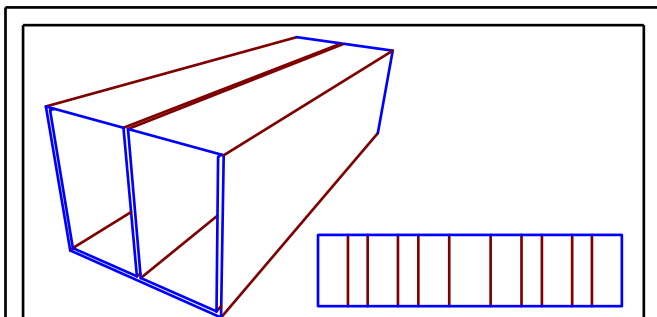
Fefco 0934

Material E,B,C,EB,BC



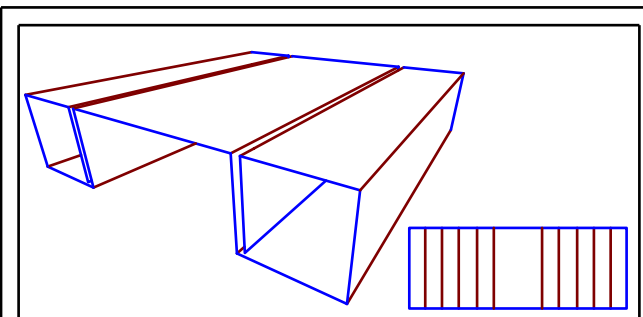
Fefco 0935

Material E,B,C,EB,BC



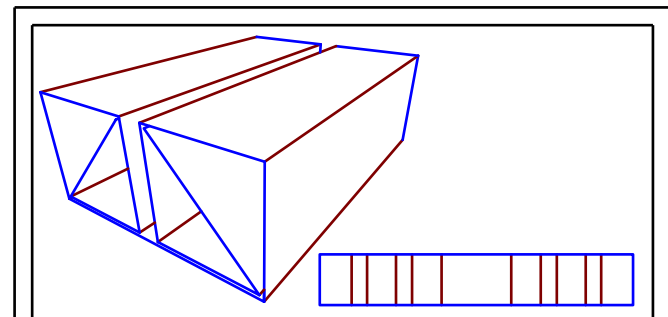
Fefco 0940

Material E,B,C,EB,BC



Fefco 0941

Material E,B,C,EB,BC

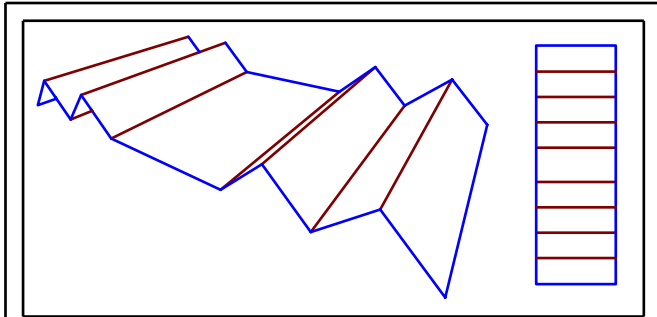


Fefco 0942

Material E,B,C,EB,BC

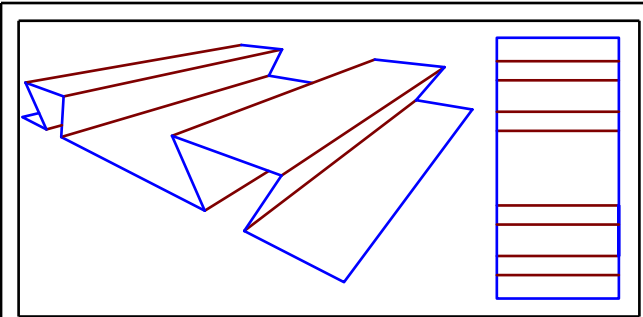


# 09 Interior fitments



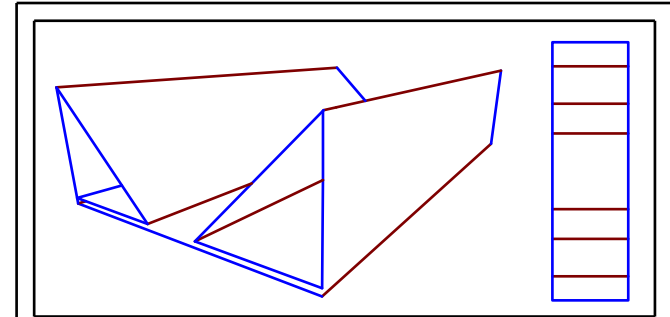
Fefco 0943

Material E,B,C,EB,BC



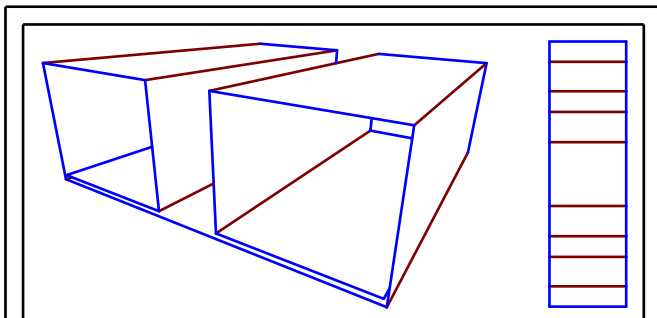
Fefco 0944

Material E,B,C,EB,BC



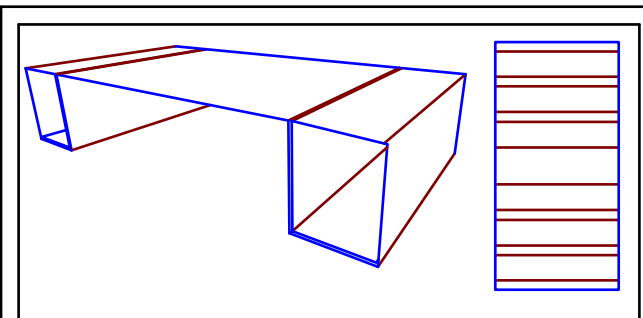
Fefco 0945

Material E,B,C,EB,BC



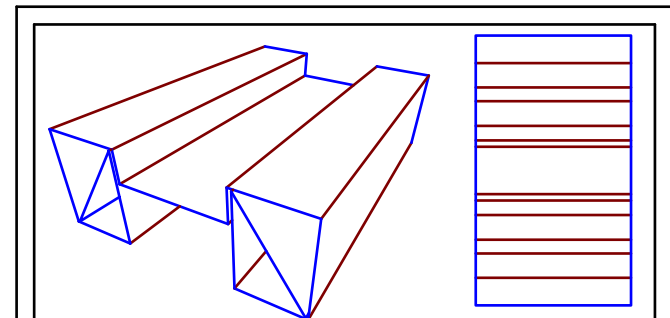
Fefco 0946

Material E,B,C,EB,BC



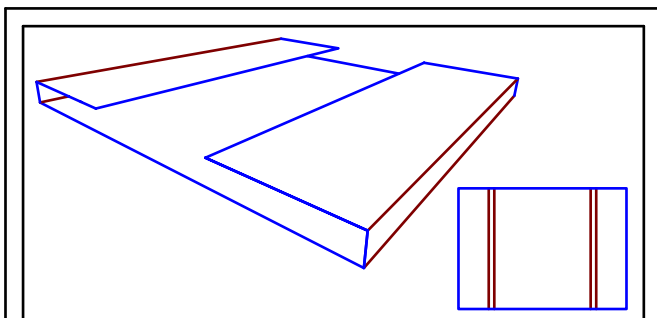
Fefco 0947

Material E,B,C,EB,BC



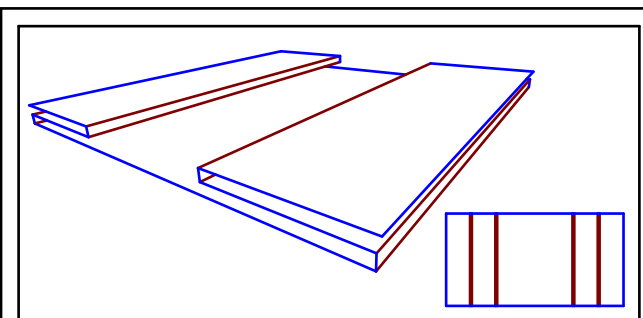
Fefco 0948

Material E,B,C,EB,BC



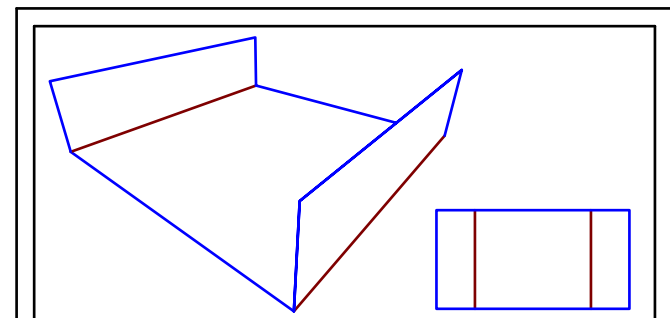
Fefco 0949

Material E,B,C,EB,BC



Fefco 0950

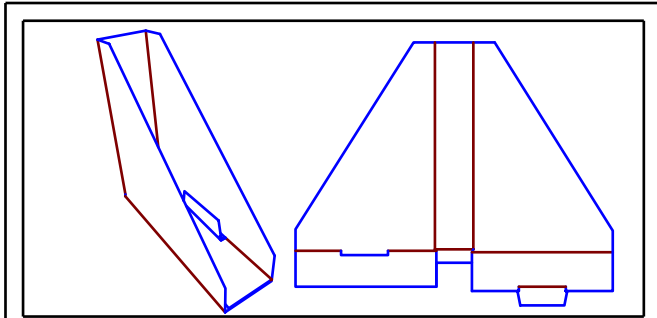
Material E,B,C,EB,BC



Fefco 0951

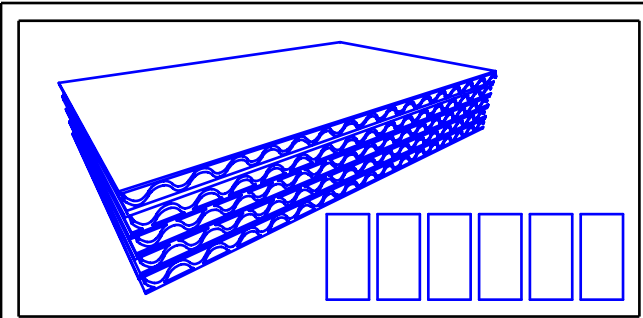
Material E,B,C,EB,BC

# 09 Interior fitments



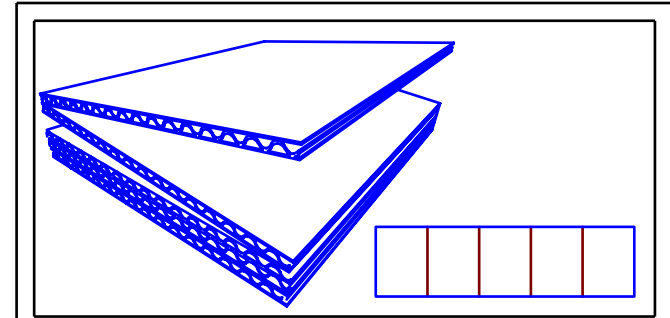
Fefco 0956

Material E,B,C,EB,BC



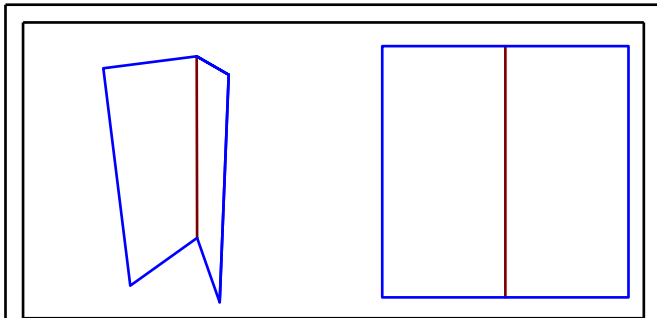
Fefco 0965

Material E,B,C,EB,BC



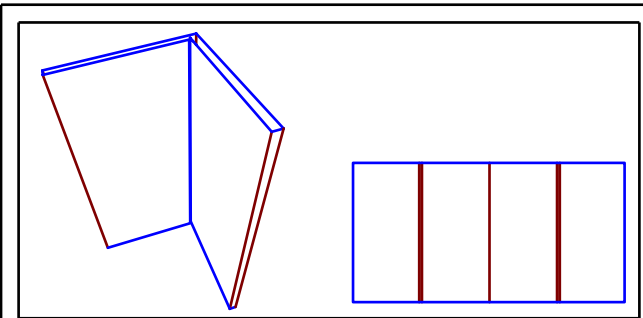
Fefco 0966

Material E,B,C,EB,BC



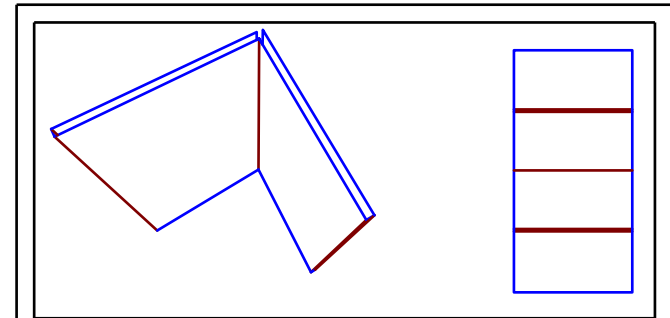
Fefco 0970

Material E,B,C,EB,BC



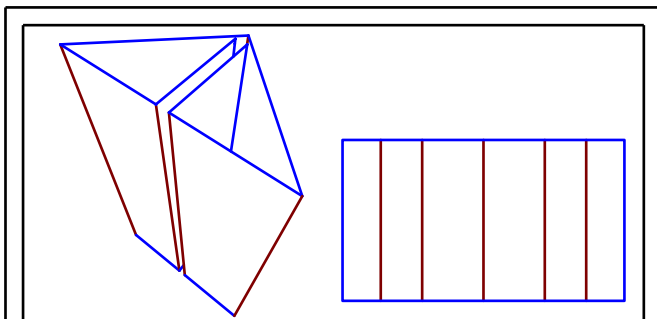
Fefco 0971

Material E,B,C,EB,BC



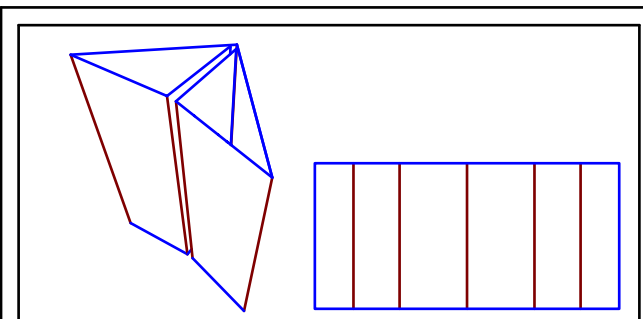
Fefco 0972

Material E,B,C,EB,BC



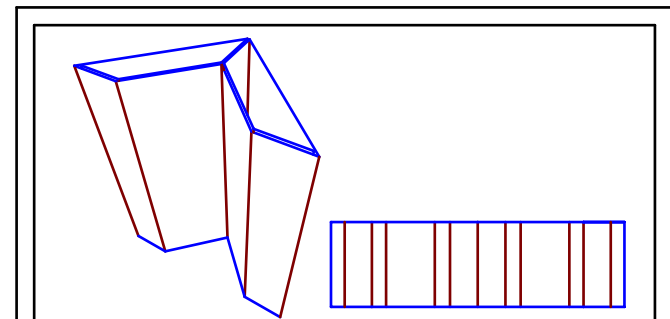
Fefco 0973

Material E,B,C,EB,BC



Fefco 0974

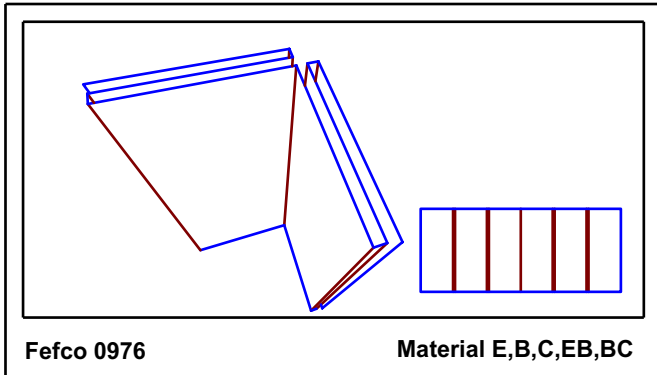
Material E,B,C,EB,BC



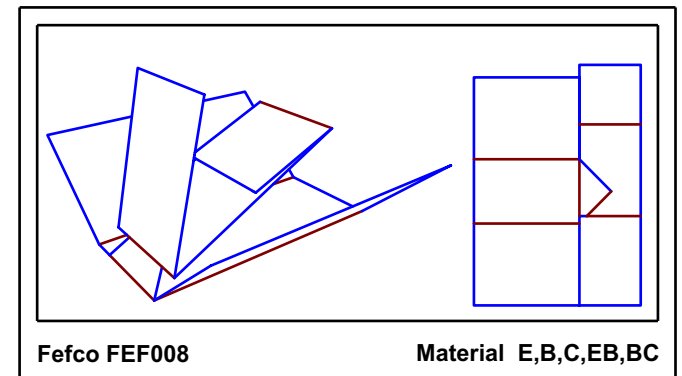
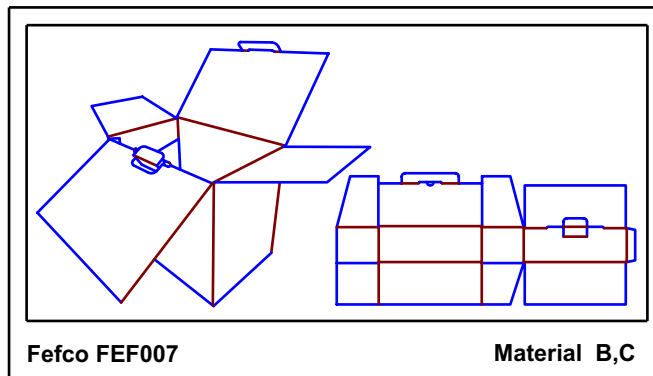
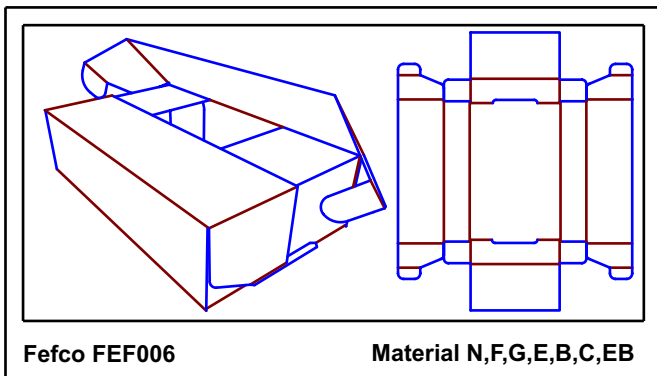
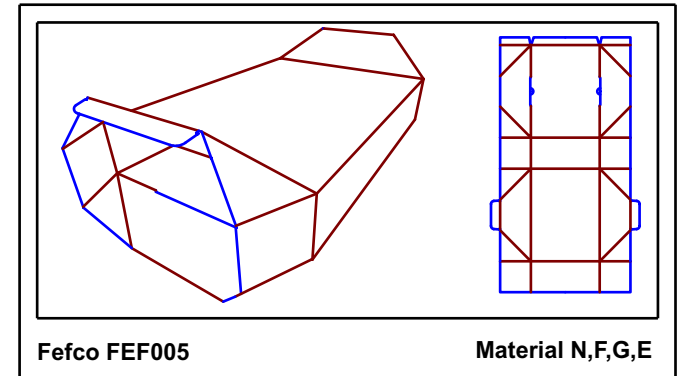
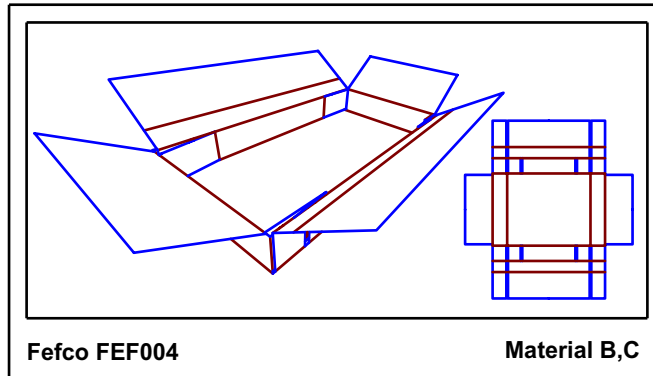
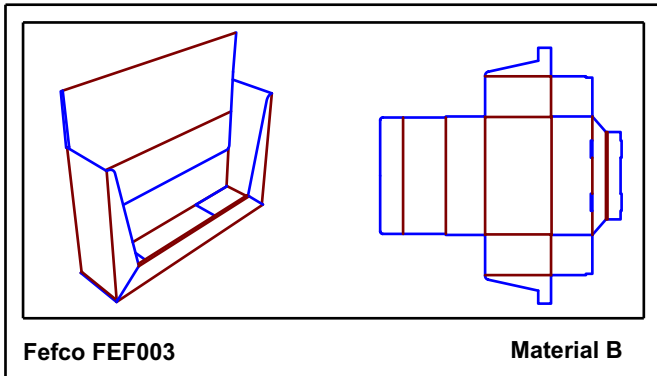
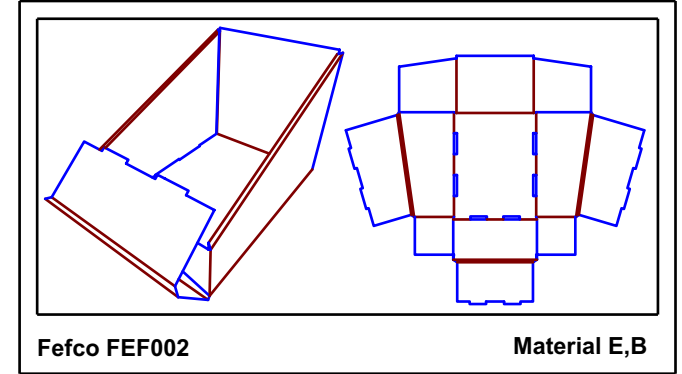
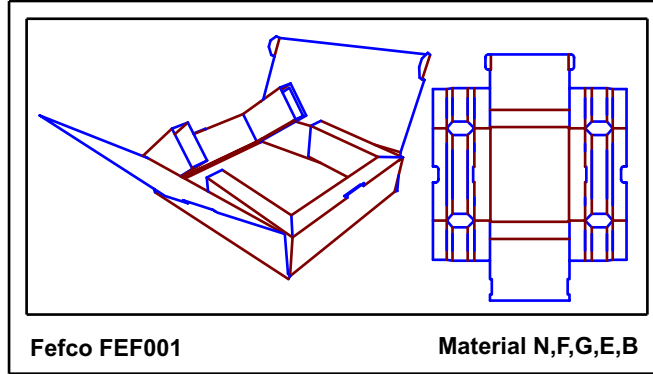
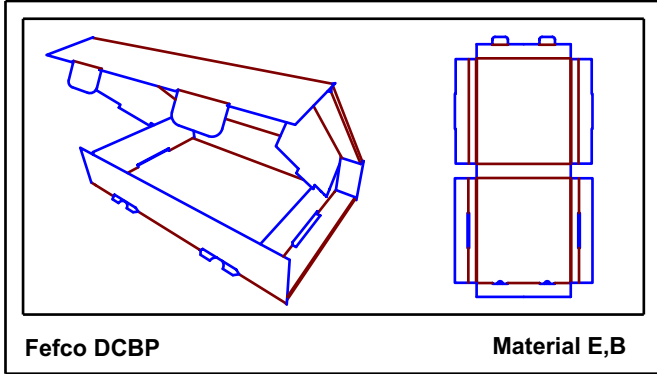
Fefco 0975

Material E,B,C,EB,BC

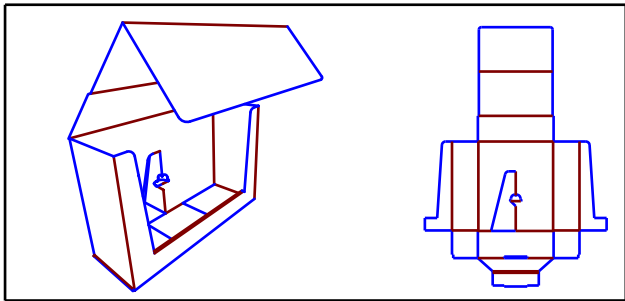
## 09 Interior fitments



# 10 Misc

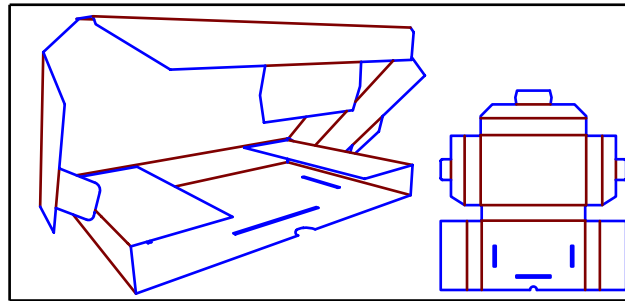


# 10 Misc



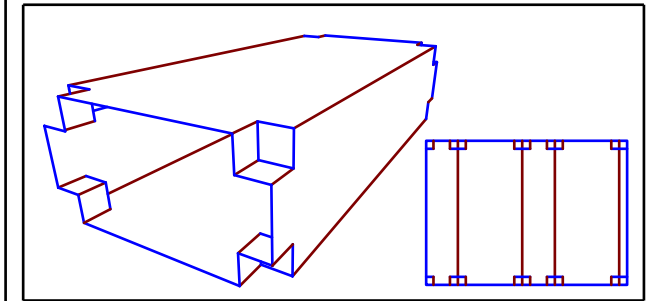
Fefco FEF009

Material B



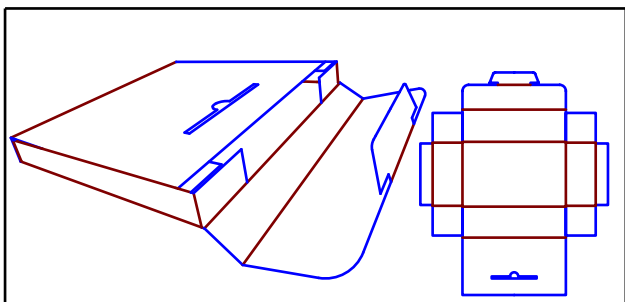
Fefco FEF010

Material B



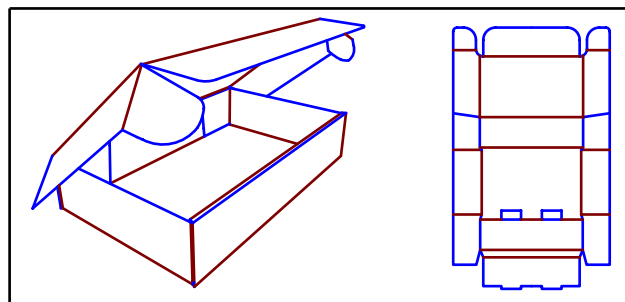
Fefco FEF011

Material E,B,C,EB,BC



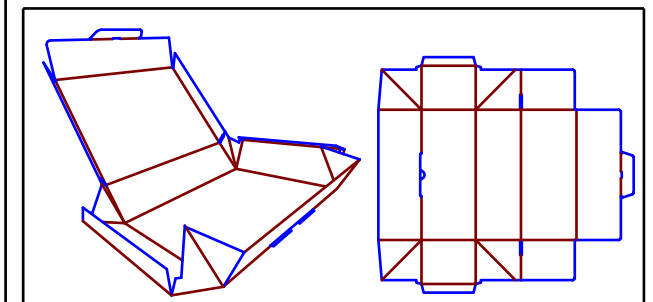
Fefco FEF012

Material E,B,C,EB,BC



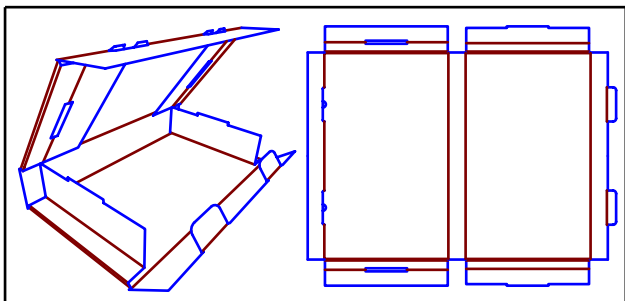
Fefco FEF013

Material E,B,C,EB,BC



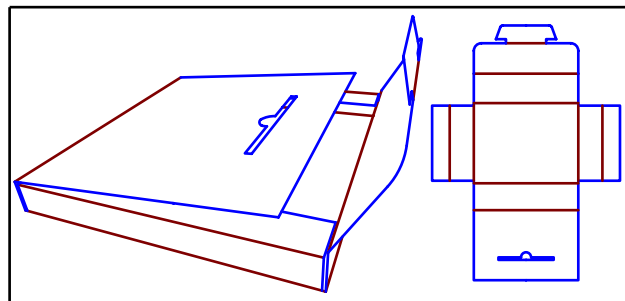
Fefco FEF014

Material E,B



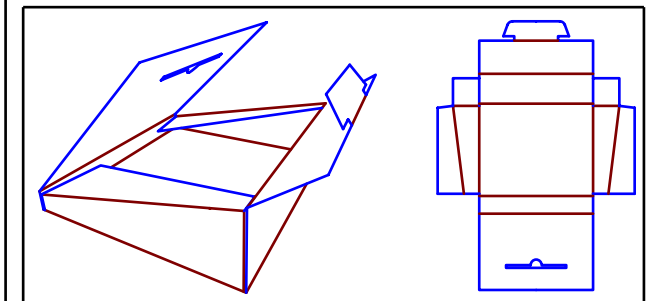
Fefco FEF015

Material E,B



Fefco FEF016

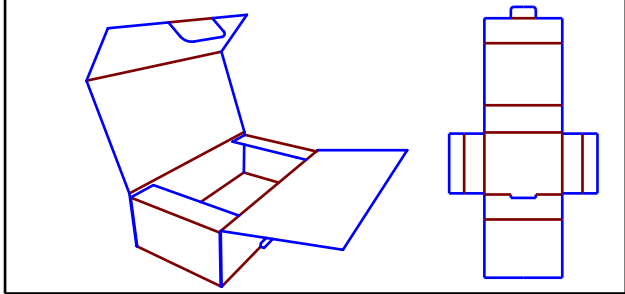
Material E,B,C,EB,BC



Fefco FEF017

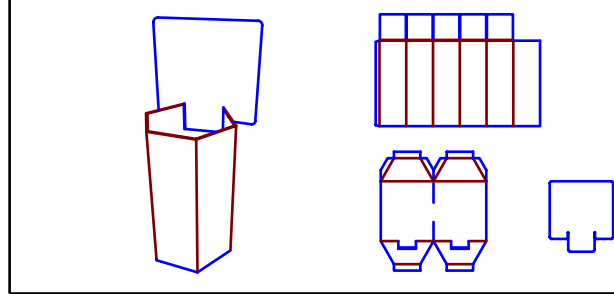
Material E,B,C,EB,BC

# 10 Misc



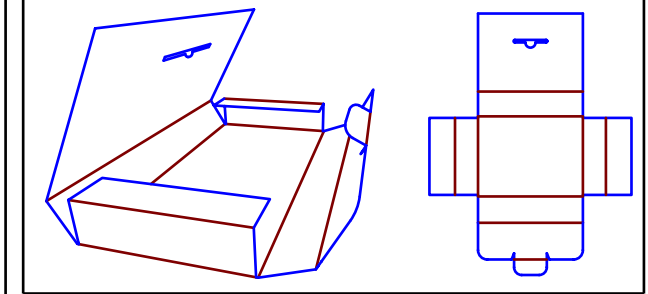
Fefco FEF018

Material E,B,C,EB,BC



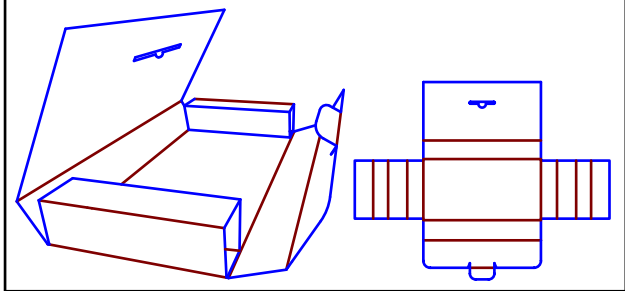
Fefco FEF019

Material B



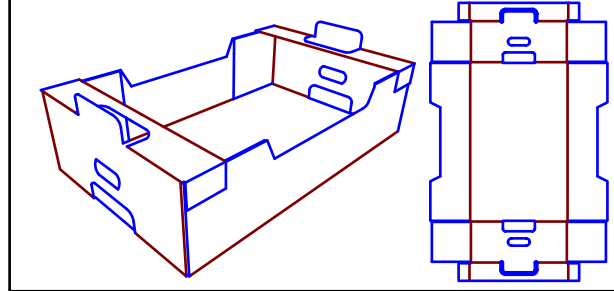
Fefco FEF020

Material E,B,C



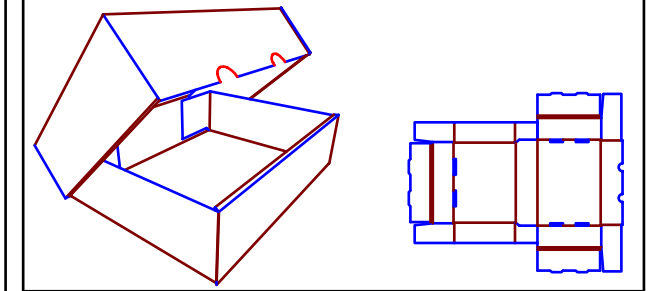
Fefco FEF021

Material E,B,C,EB,BC



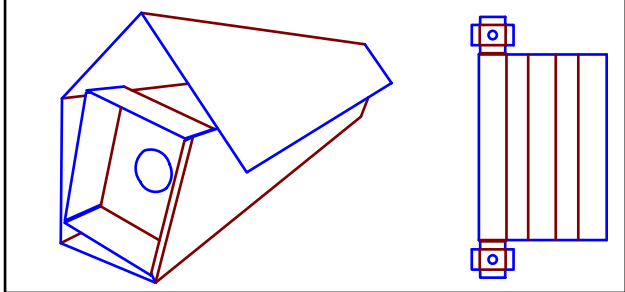
Fefco FEF022

Material E,B,C,EB,BC



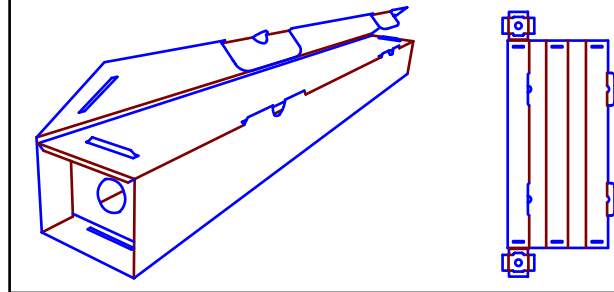
Fefco FEF023

Material E,B



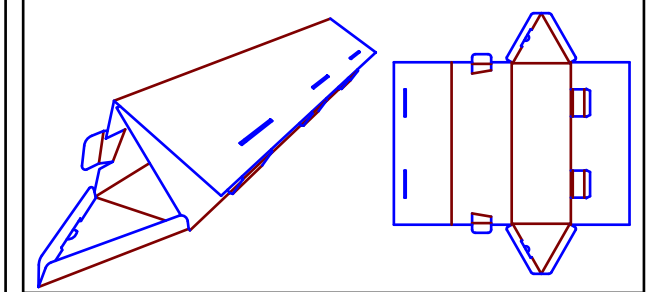
Fefco FEF024

Material N,F,G,E,B,C,EB,BC



Fefco FEF025

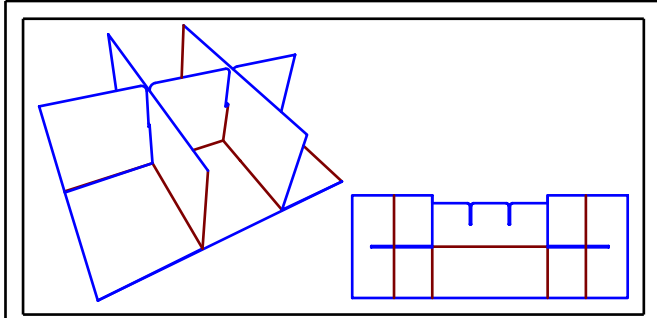
Material N,F,G,E,B,C,EB,BC



Fefco FEF026

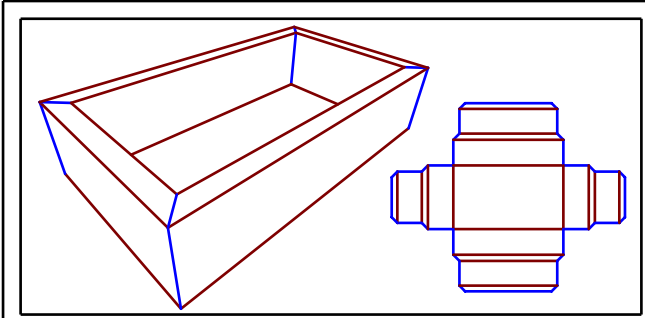
Material N,F,G,E,B,C,EB,BC

# 10 Misc



Fefco FEF027

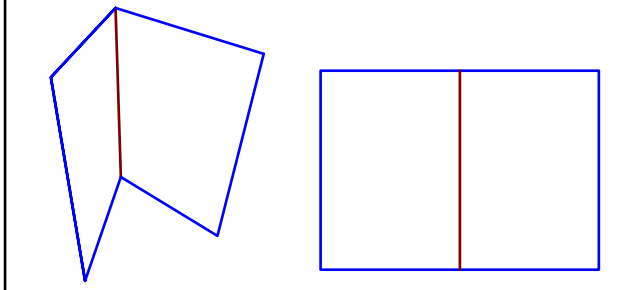
Material N,F,G,E,B,C,EB,BC



Fefco FEF028

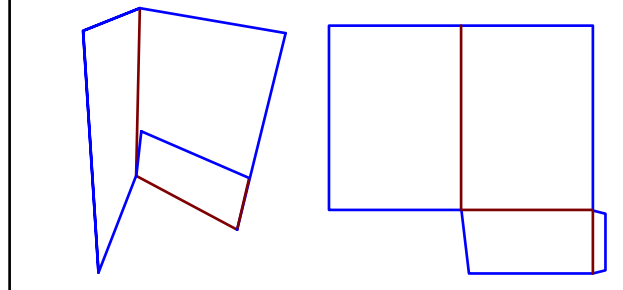
Material G,E,B

# Folders



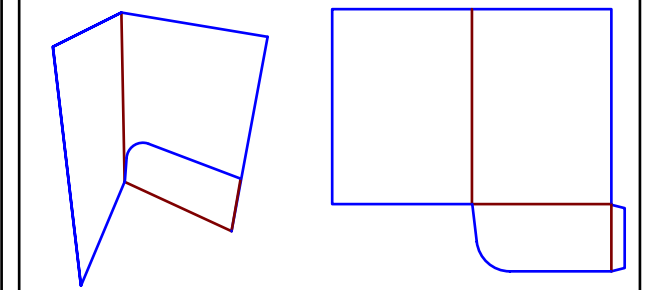
Folder 1

Material 150-1000



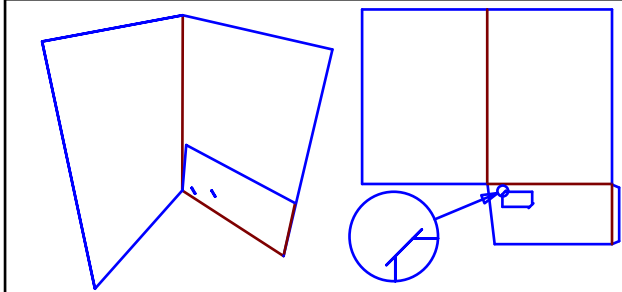
Folder 2

Material 150-1000



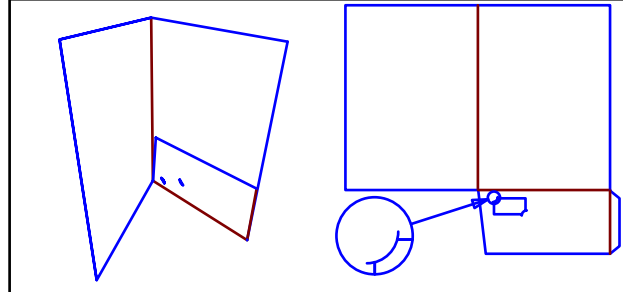
Folder 3

Material 150-1000



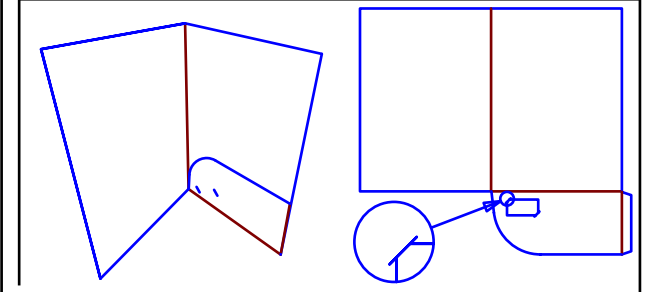
Folder 4

Material 150-1000



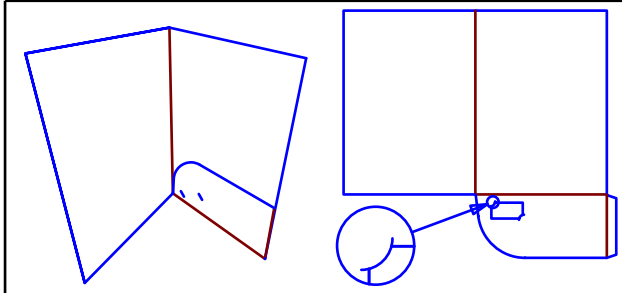
Folder 5

Material 150-1000



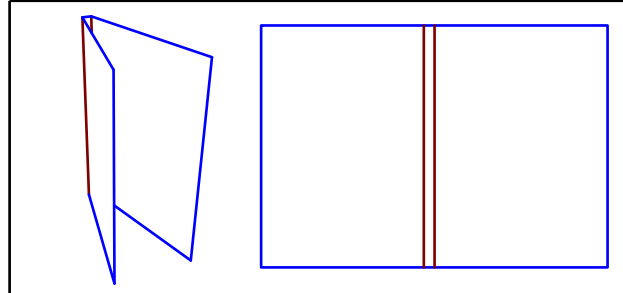
Folder 6

Material 150-1000



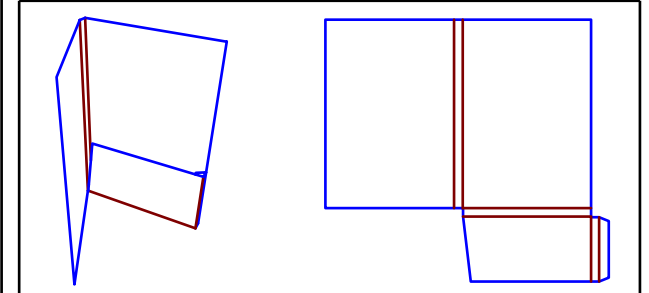
Folder 7

Material 150-1000



Folder 8

Material 150-1000

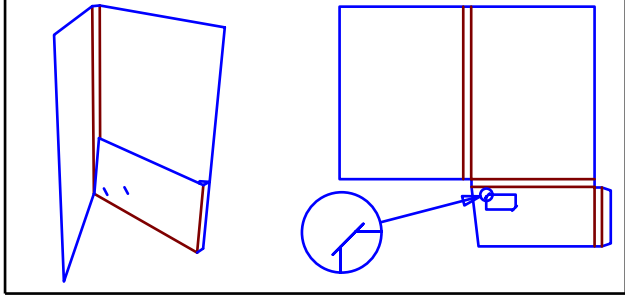


Folder 9

Material 150-1000

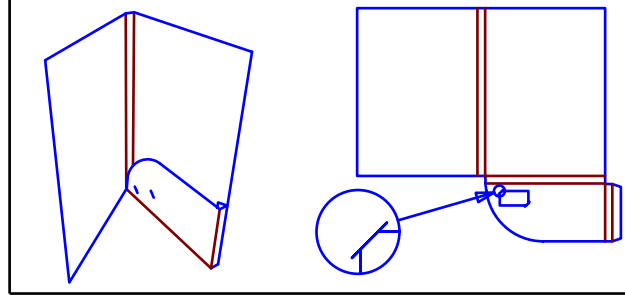


# Folders



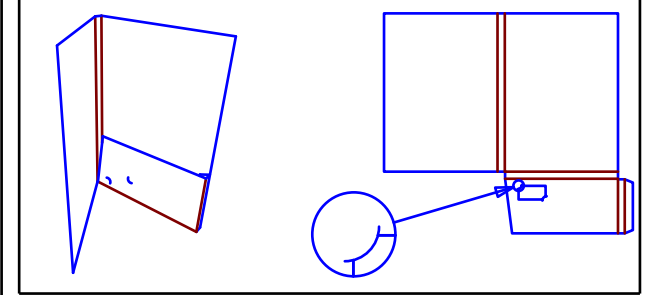
Folder 10

Material 150-1000



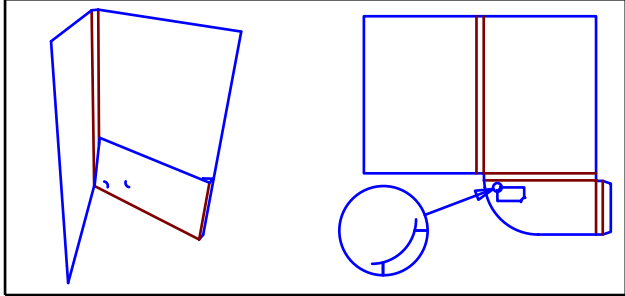
Folder 11

Material 150-1000



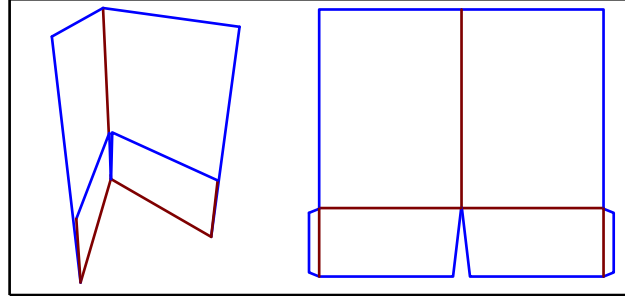
Folder 12

Material 150-1000



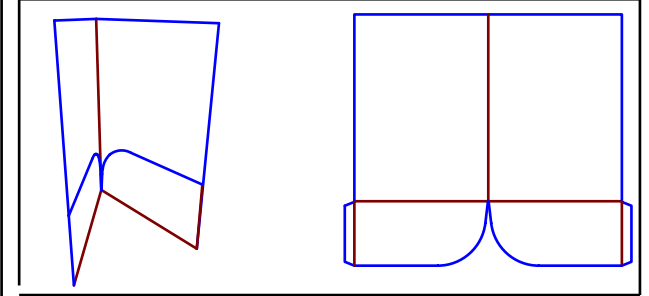
Folder 13

Material 150-1000



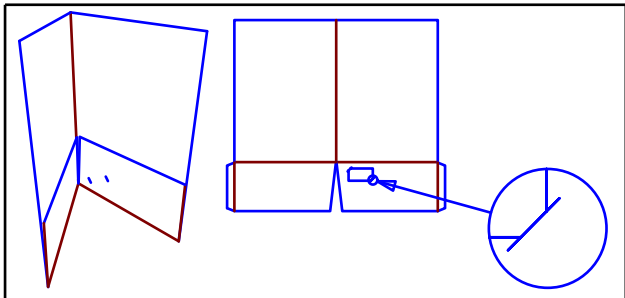
Folder 14

Material 150-1000



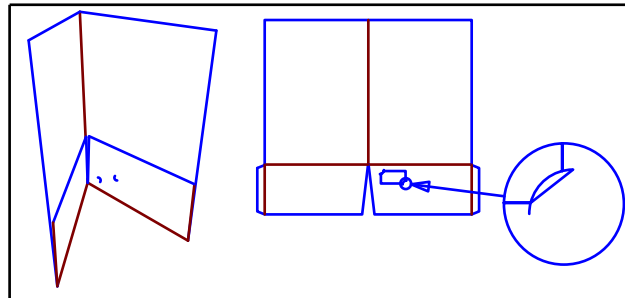
Folder 15

Material 150-1000



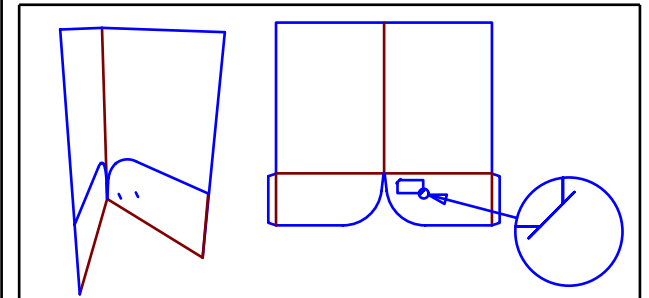
Folder 16

Material 150-1000



Folder 17

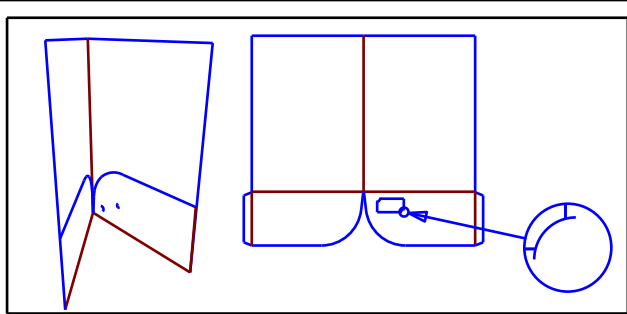
Material 150-1000



Folder 18

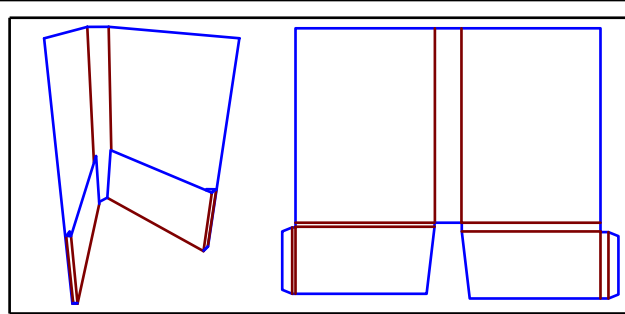
Material 150-1000

# Folders



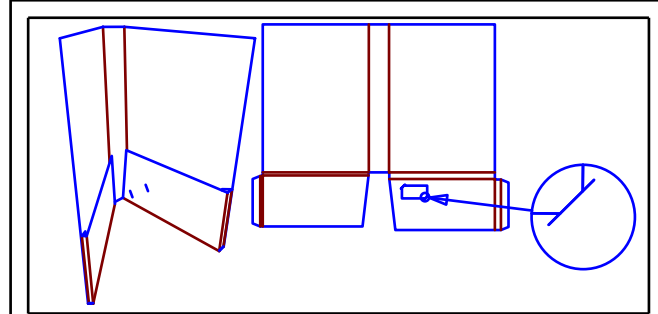
Folder 19

Material 150-1000



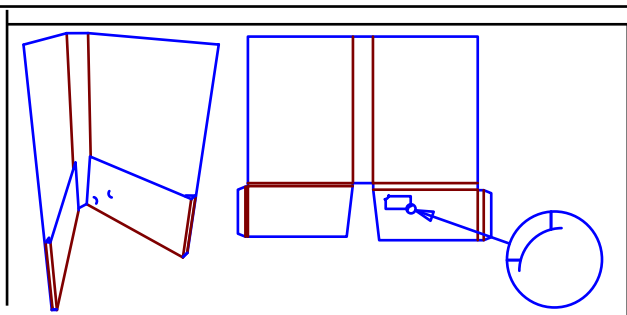
Folder 20

Material 150-1000



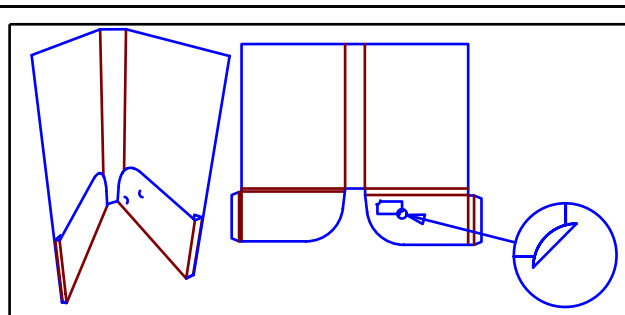
Folder 22

Material 150-1000



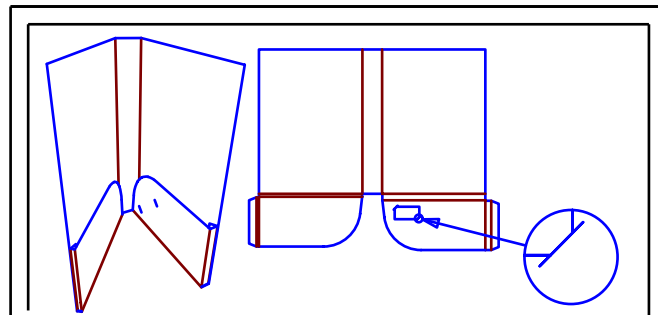
Folder 23

Material 150-1000



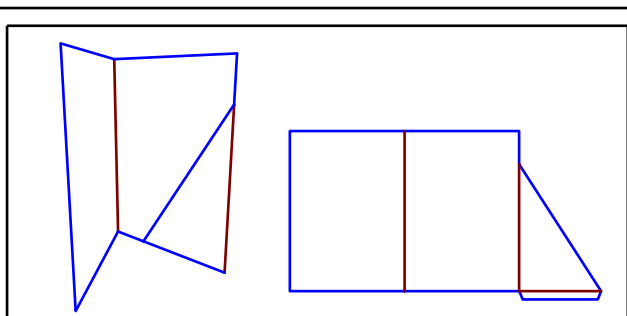
Folder 24

Material 150-1000



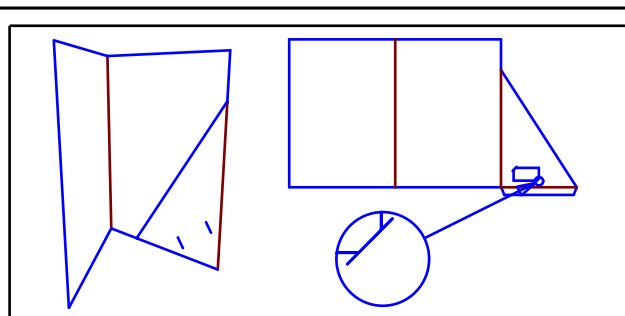
Folder 25

Material 150-1000



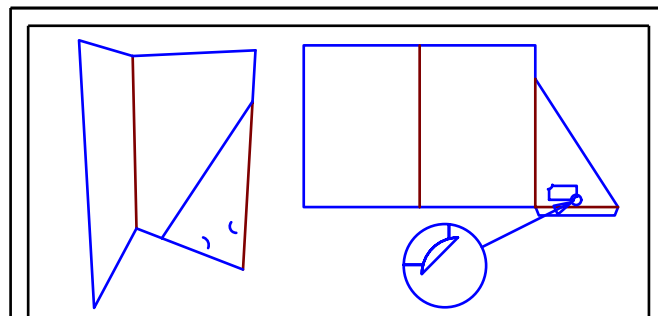
Folder 26

Material 150-1000



Folder 27

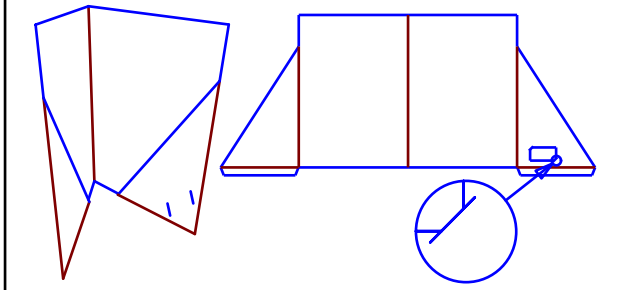
Material 150-1000



Folder 28

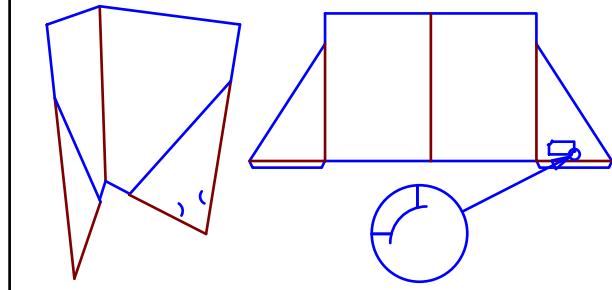
Material 150-1000

# Folders



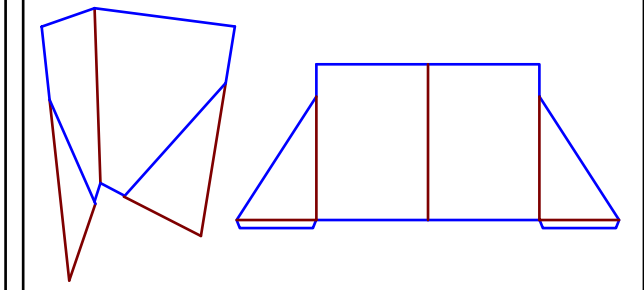
Folder 29

Material 150-1000



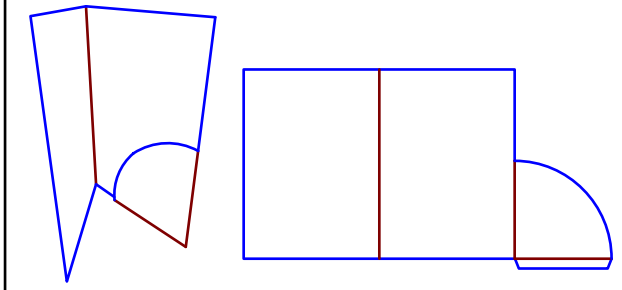
Folder 30

Material 150-1000



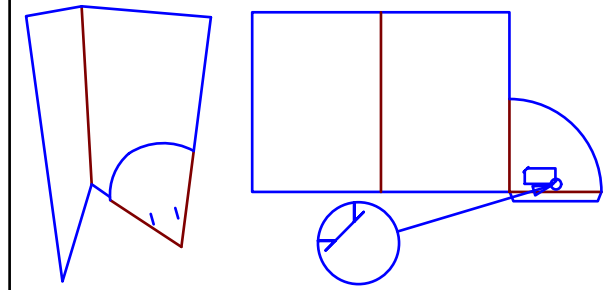
Folder 31

Material 150-1000



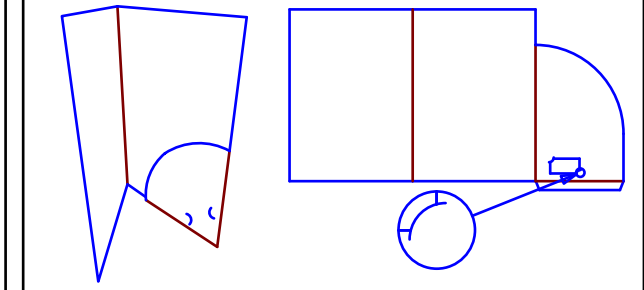
Folder 32

Material 150-1000



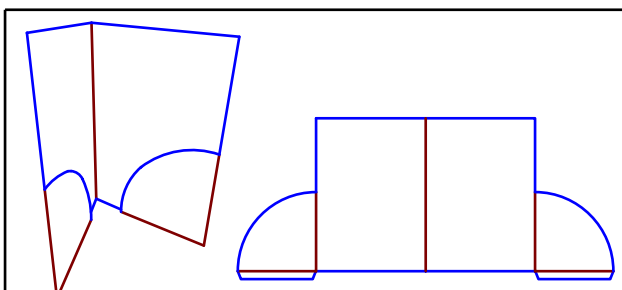
Folder 33

Material 150-1000



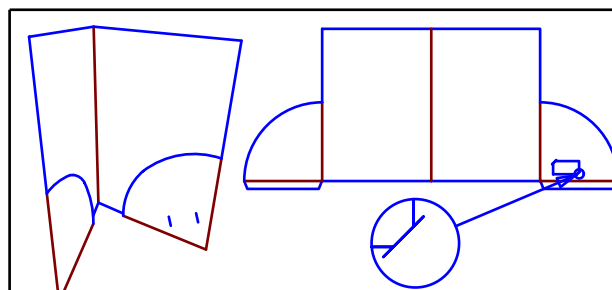
Folder 34

Material 150-1000



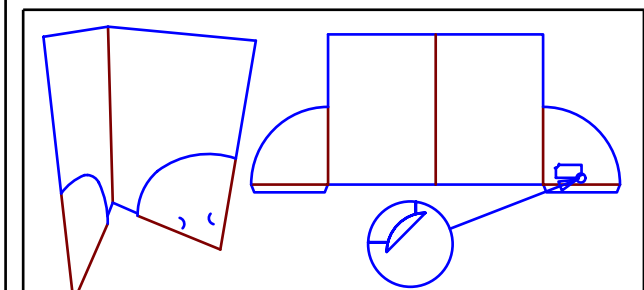
Folder 35

Material 150-1000



Folder 36

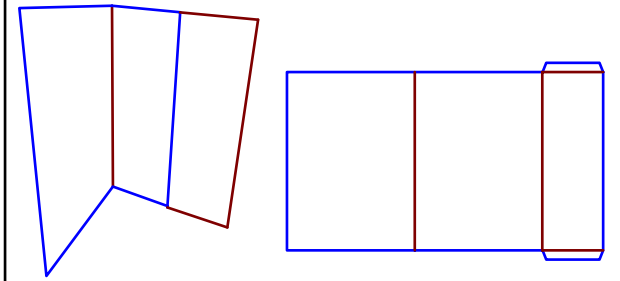
Material 150-1000



Folder 37

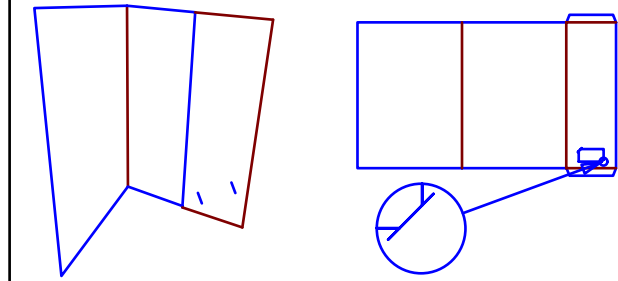
Material 150-1000

# Folders



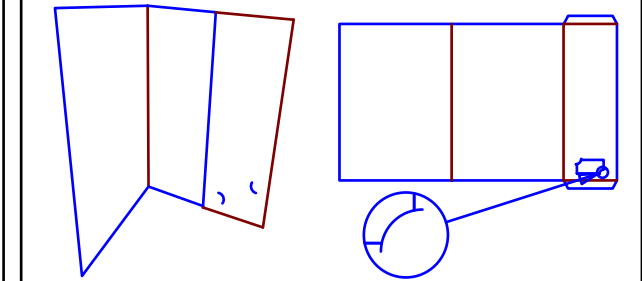
Folder 38

Material 150-1000



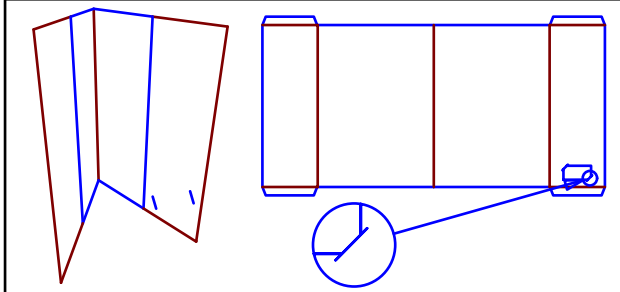
Folder 39

Material 150-1000



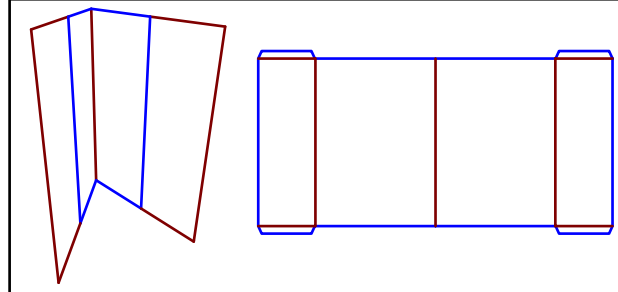
Folder 40

Material 150-1000



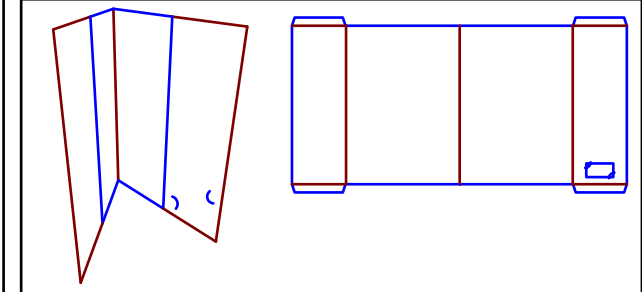
Folder 41

Material 150-1000



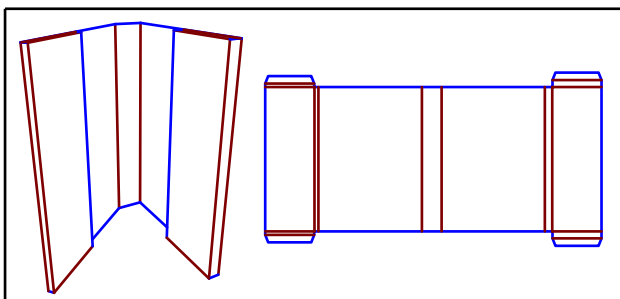
Folder 42

Material 150-1000



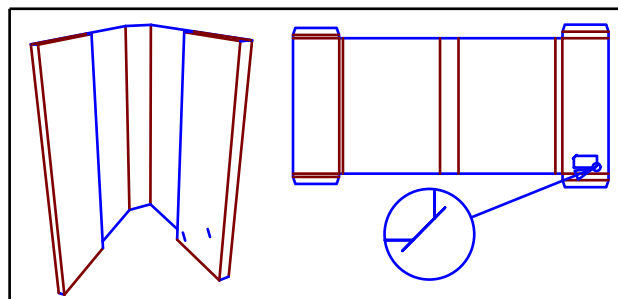
Folder 43

Material 150-1000



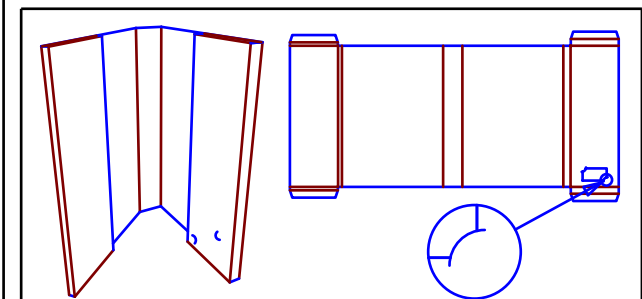
Folder 44

Material 150-1000



Folder 45

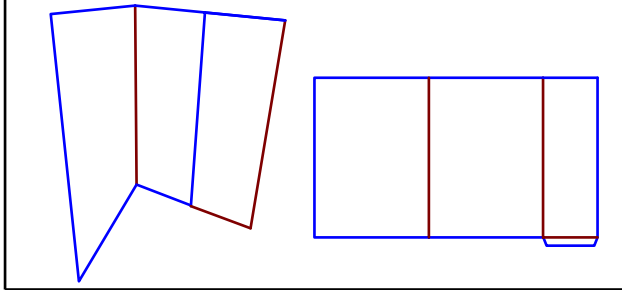
Material 150-1000



Folder 46

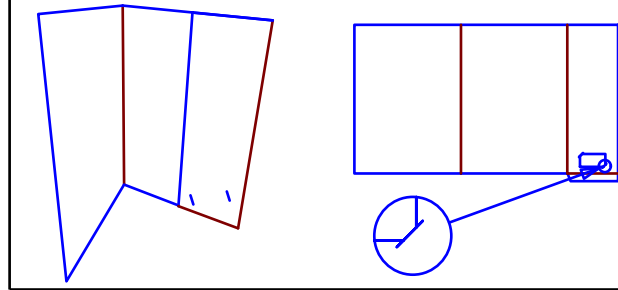
Material 150-1000

# Folders



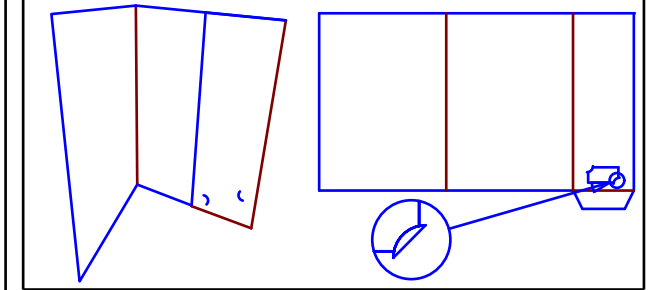
Folder 48

Material 150-1000



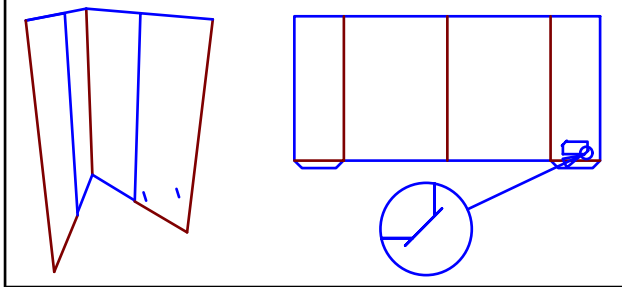
Folder 49

Material 150-1000



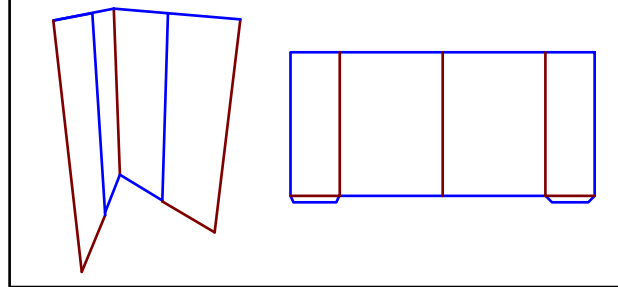
Folder 50

Material 150-1000



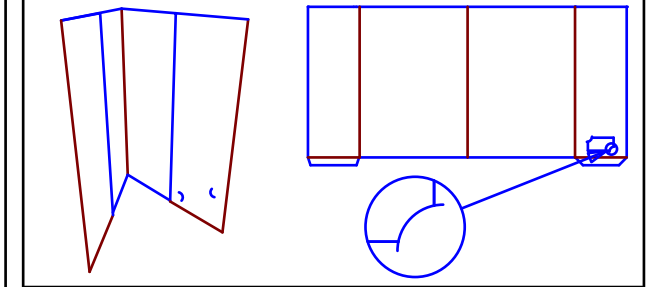
Folder 51

Material 150-1000



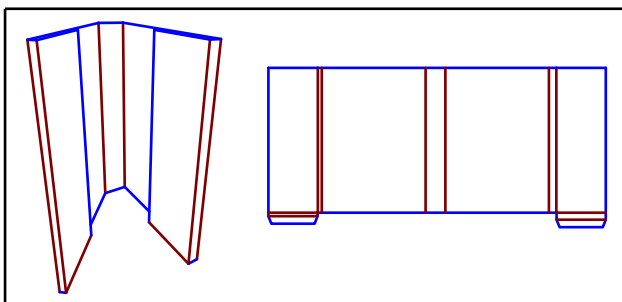
Folder 52

Material 150-1000



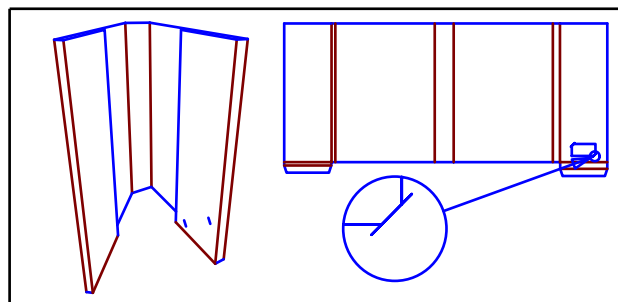
Folder 53

Material 150-1000



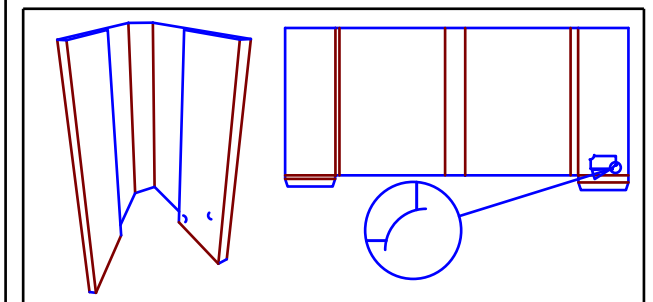
Folder 54

Material 150-1000



Folder 55

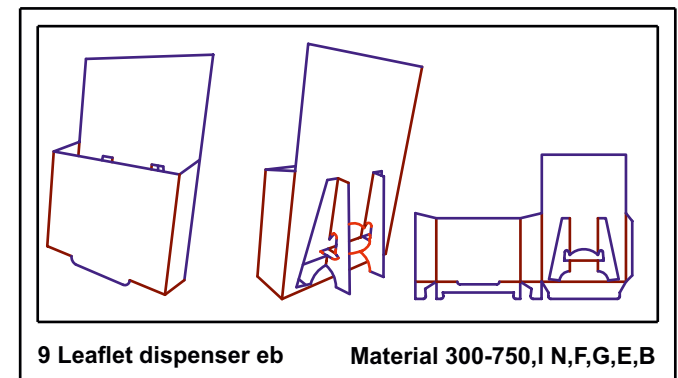
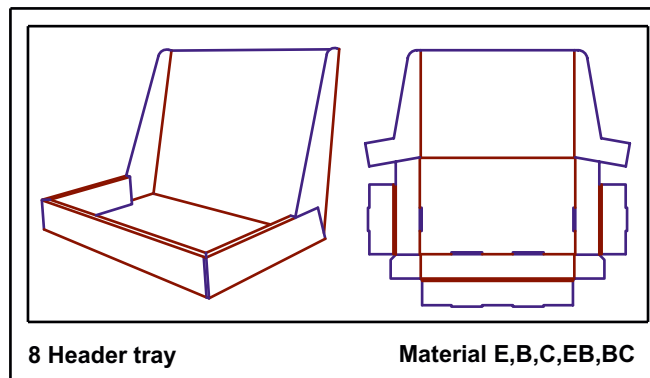
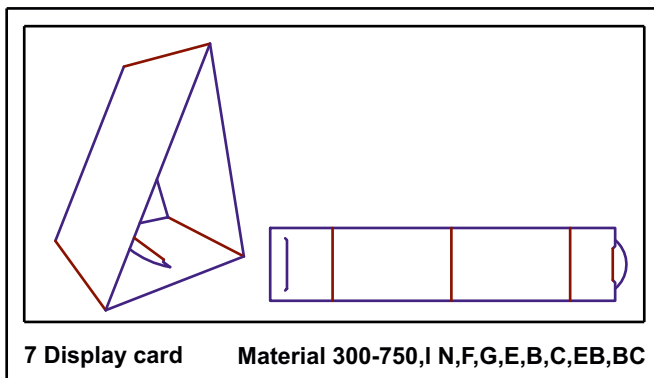
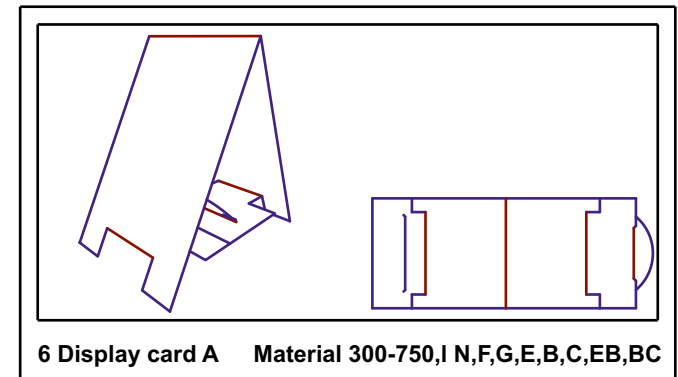
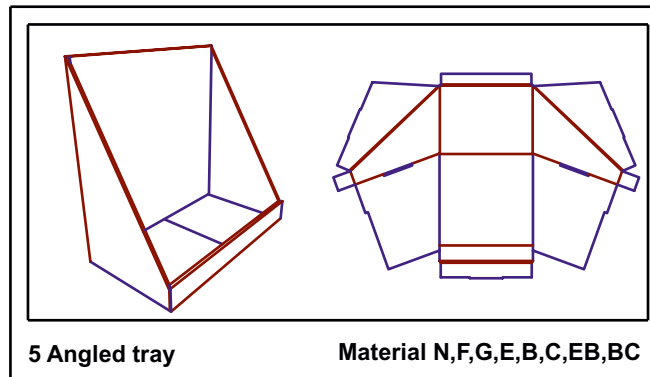
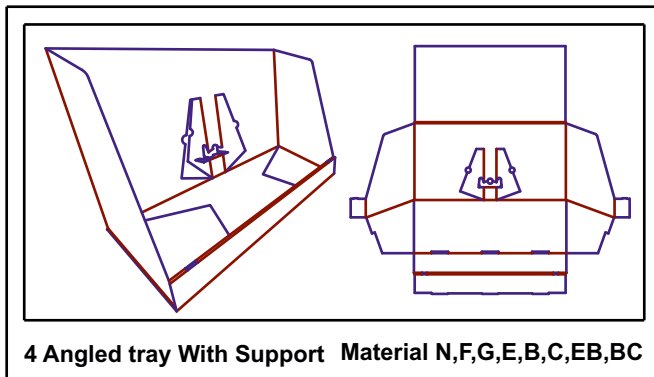
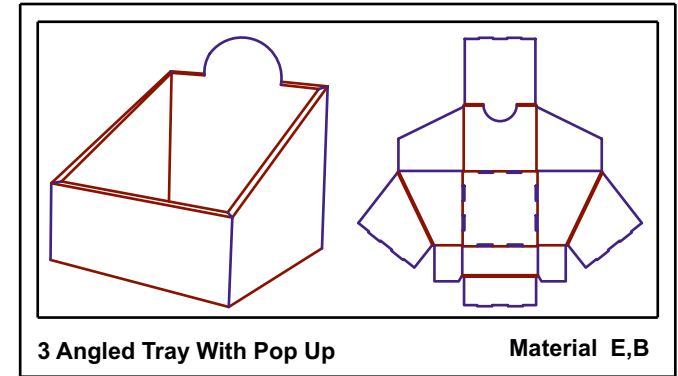
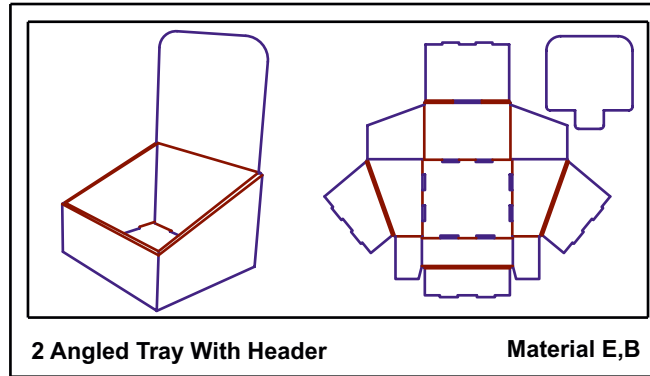
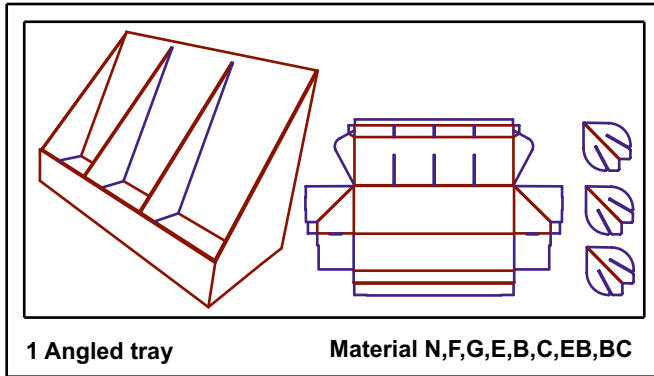
Material 150-1000



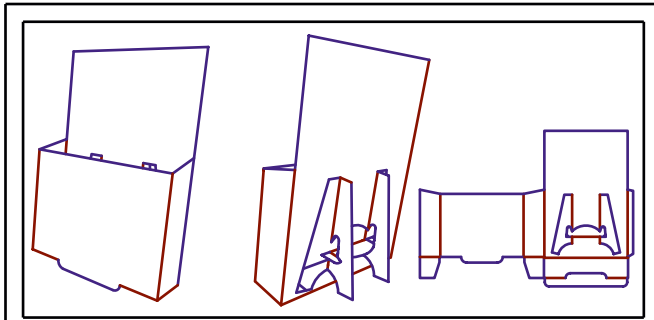
Folder 56

Material 150-1000

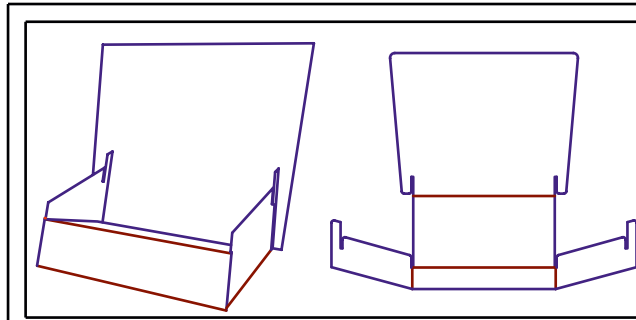
# 01 Counter displays



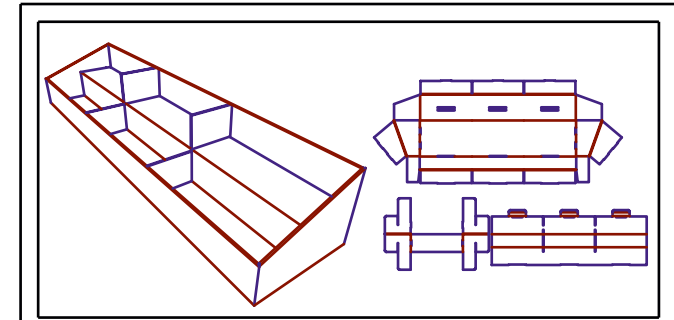
# 01 Counter displays



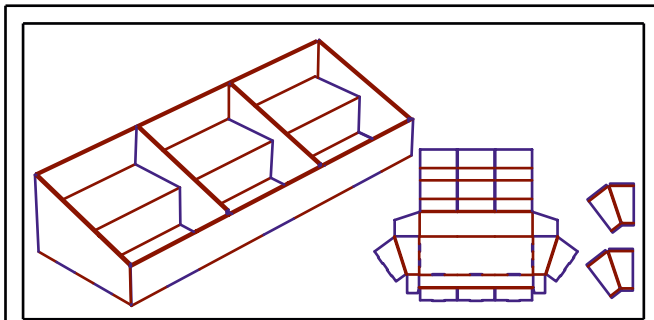
10 Leaflet dispenser TB    Material 300-750,I N,F,G,E,B



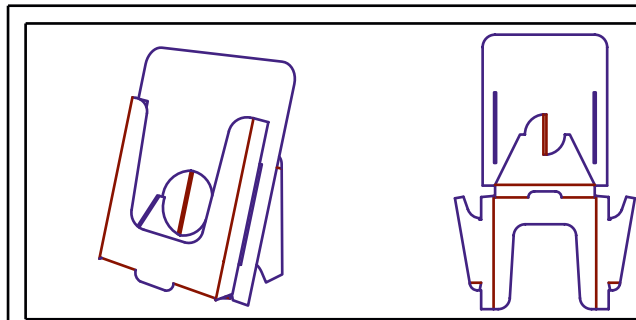
11 rigid dispenser    Material 3000 Mic



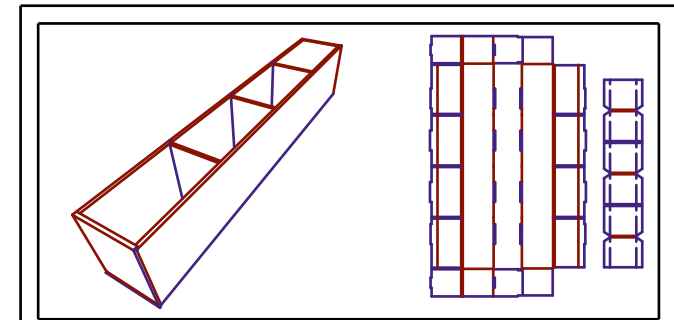
12 terrace tray with supports    Material N,F,G,E,B



13 terrace tray    Material E,B,C,EB,BC

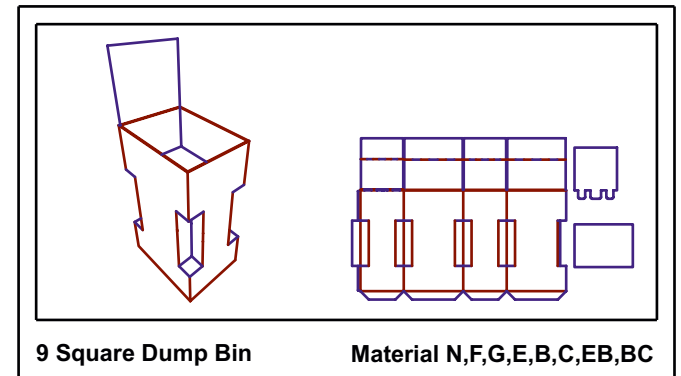
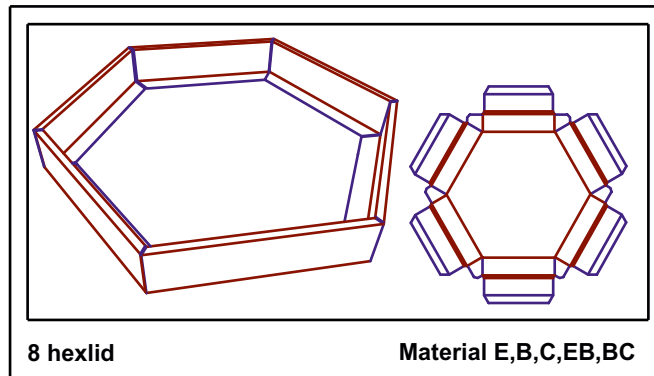
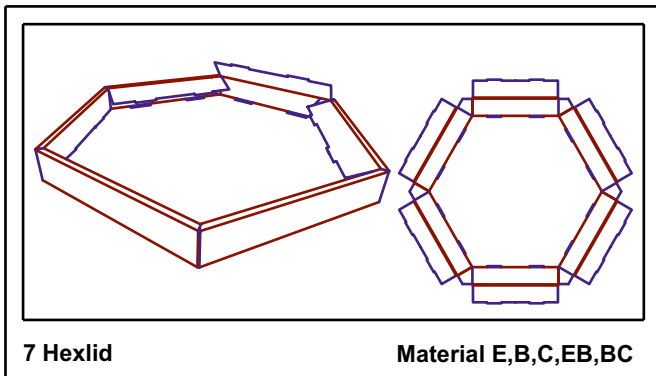
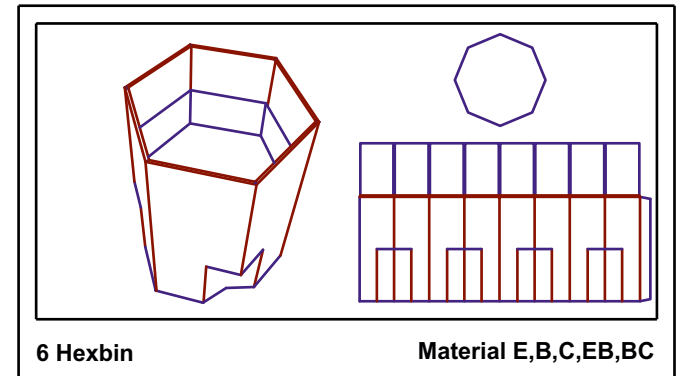
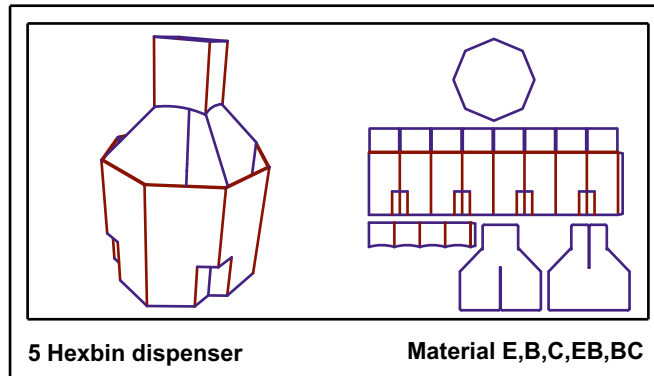
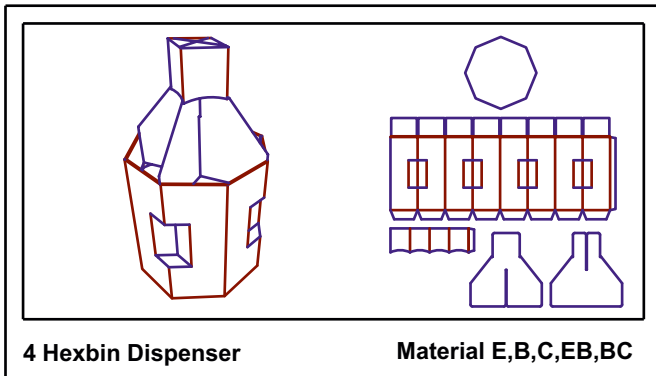
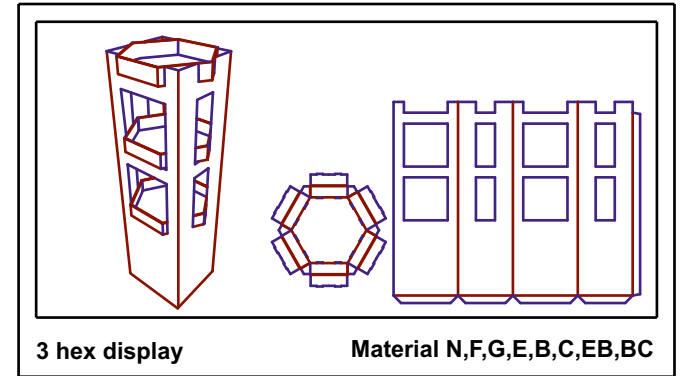
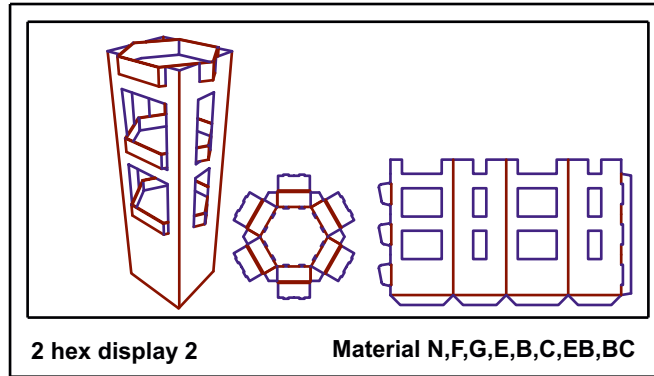
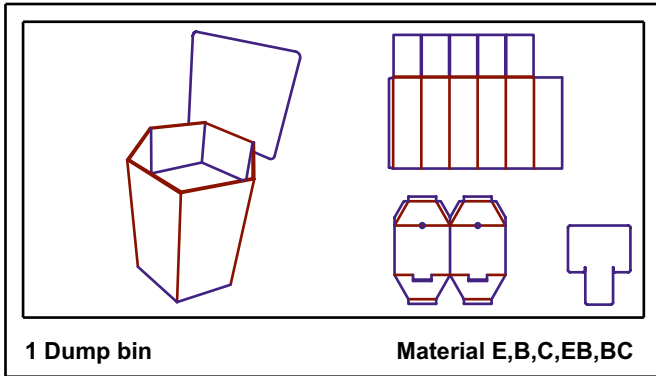


14 Twist    Material E,B



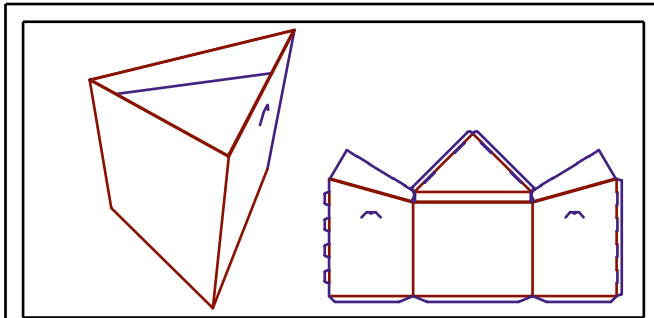
15 vid    Material E,B,C

# 02 Dump bins



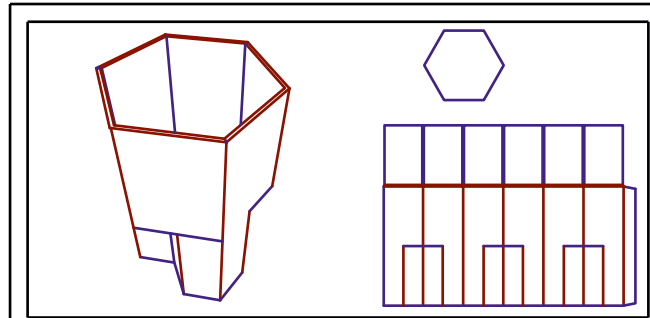


## 02 Dump bins



10 Triangle Dump Bin

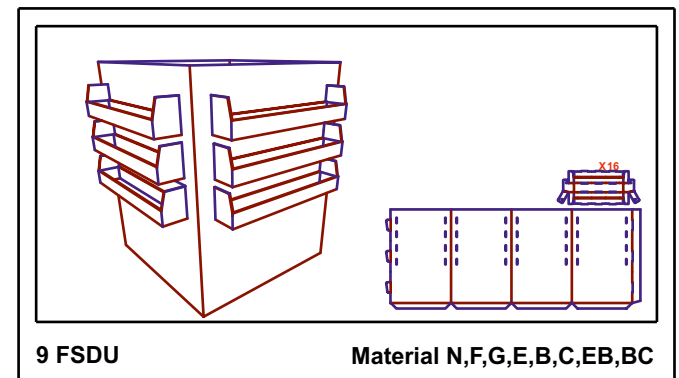
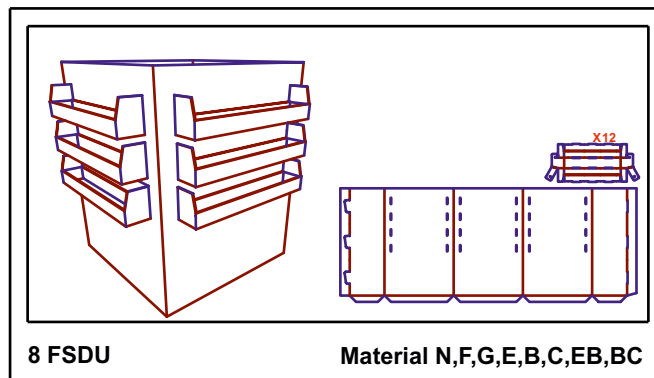
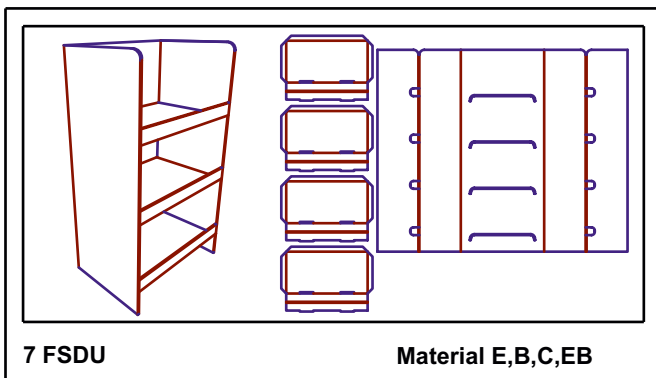
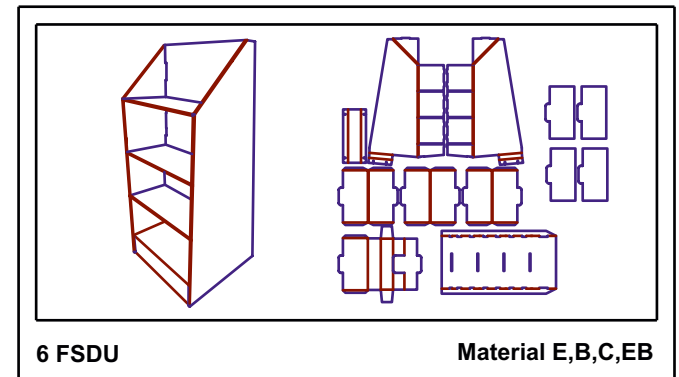
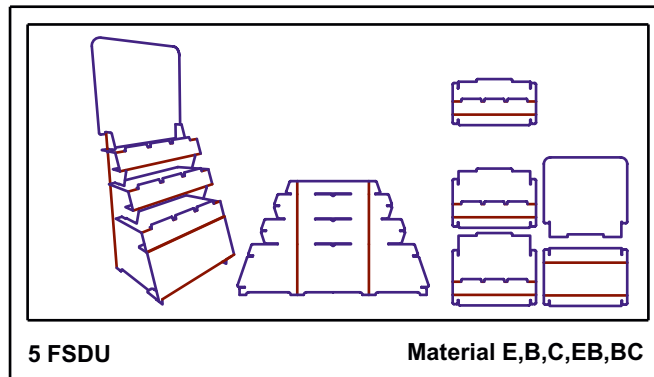
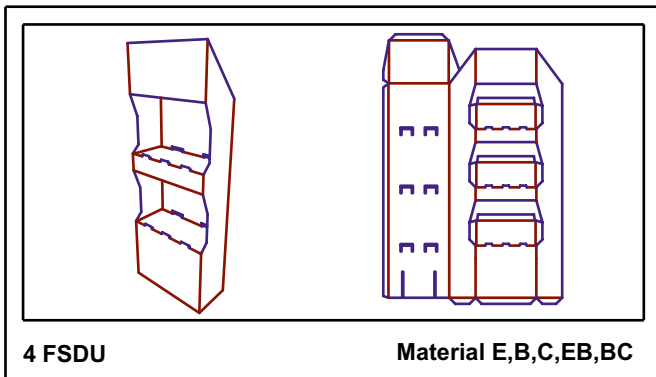
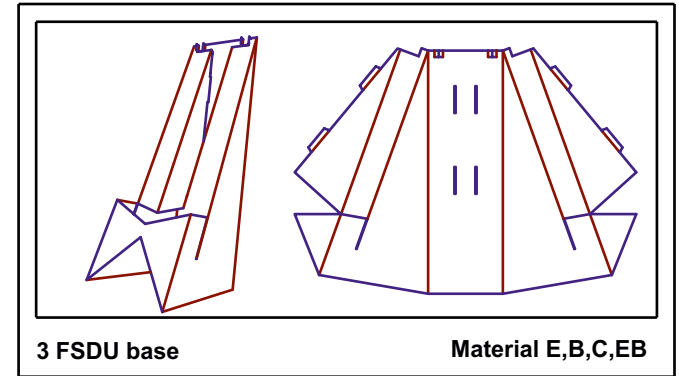
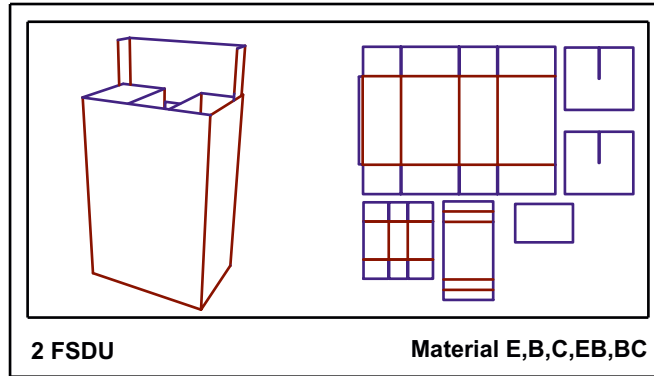
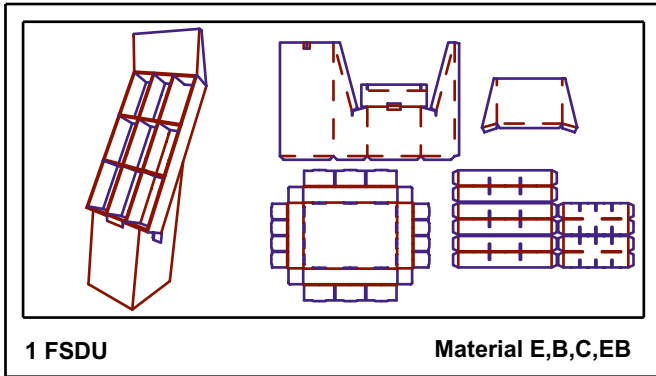
Material N,F,G,E,B,C,EB,BC



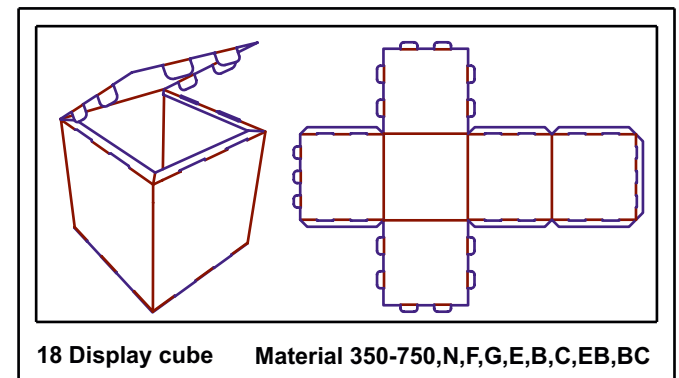
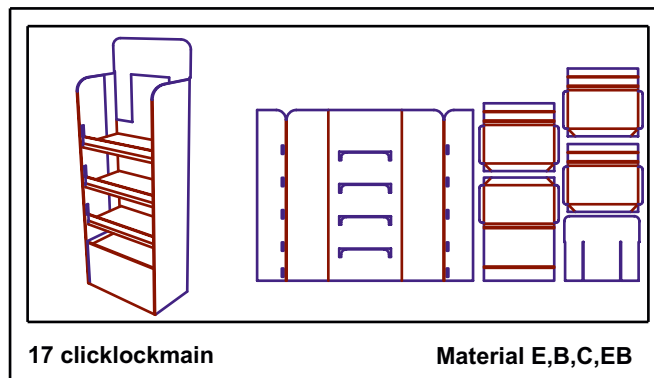
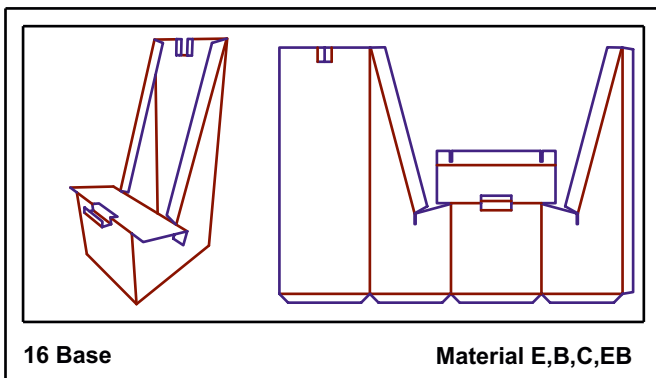
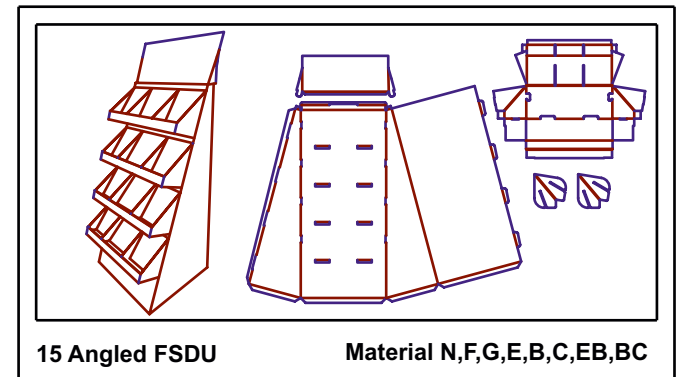
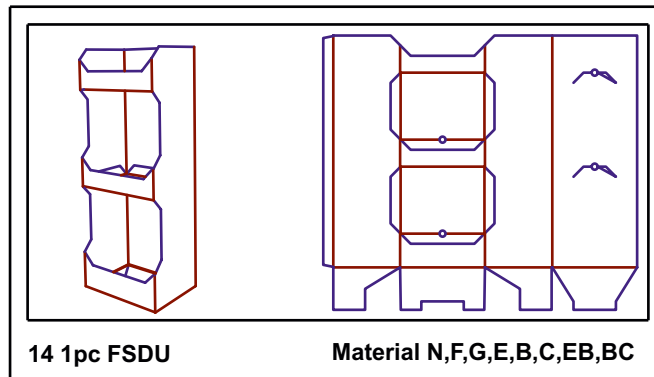
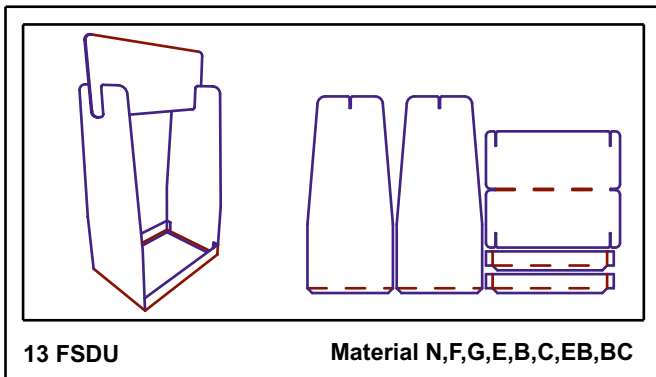
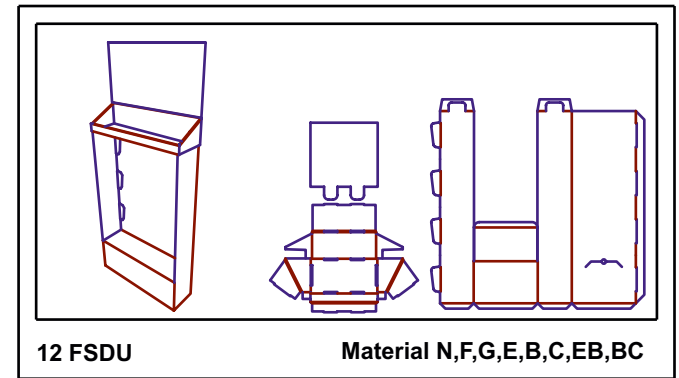
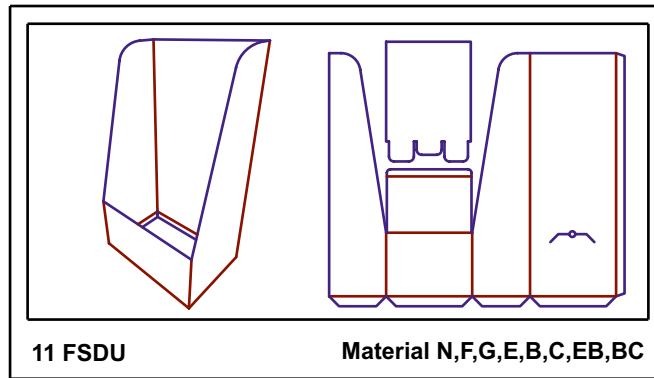
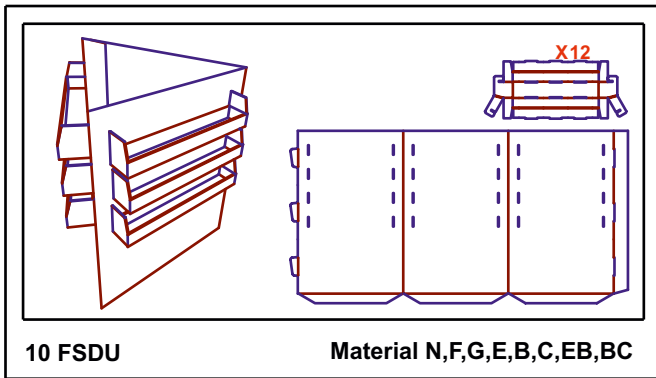
11 Hexbin

Material E,B,C,EB,BC

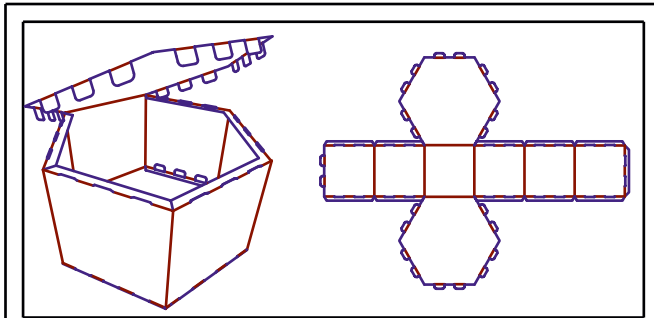
# 03 Free standing display units (FSDU)



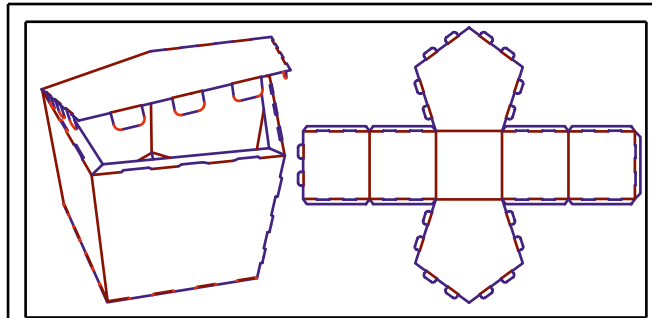
# 03 Free standing display units (FSDU)



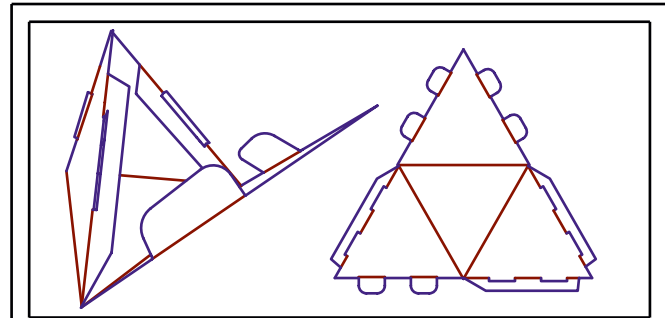
# 03 Free standing display units (FSDU)



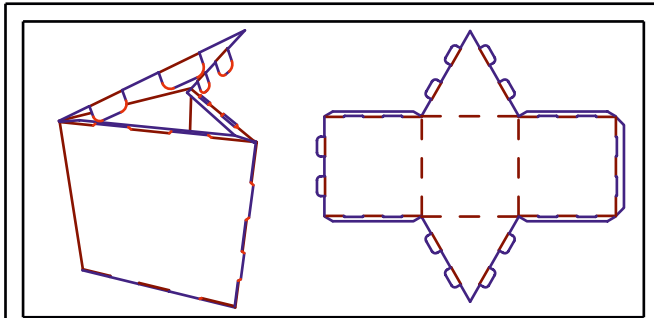
19 Display hexagon Mat 350-750,N,F,G,E,B,C,EB,BC



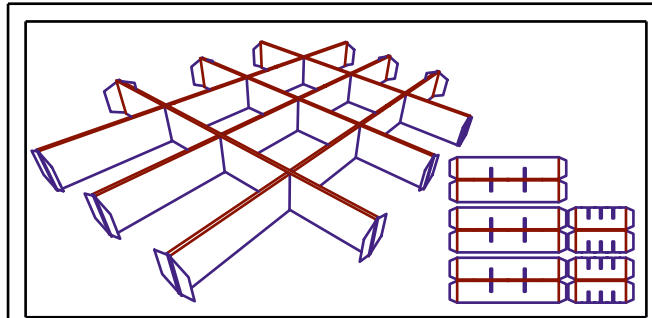
20 Display pentagon Mat 350-750,N,F,G,E,B,C,EB,BC



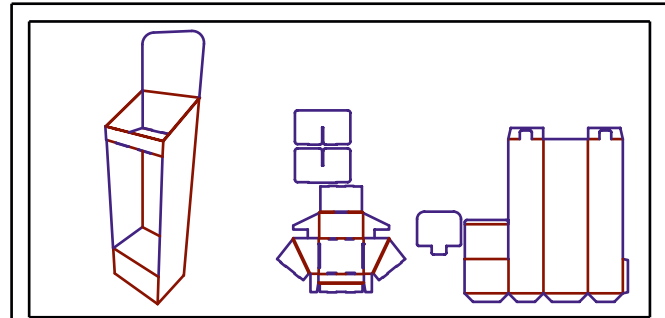
21 Display Pyramid Mat 350-750,N,F,G,E,B,C,EB,BC



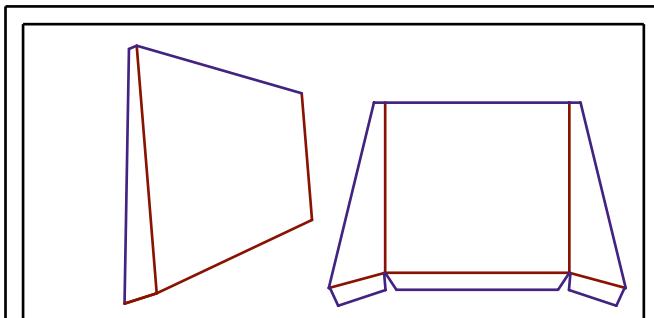
22 Display triangle Mat 350-750,N,F,G,E,B,C,EB,BC



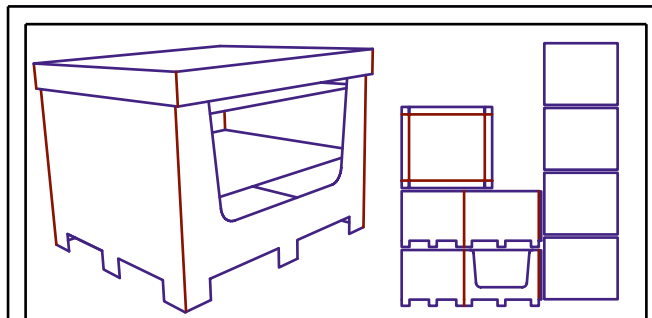
23 Dividers Material E,B,C,EB



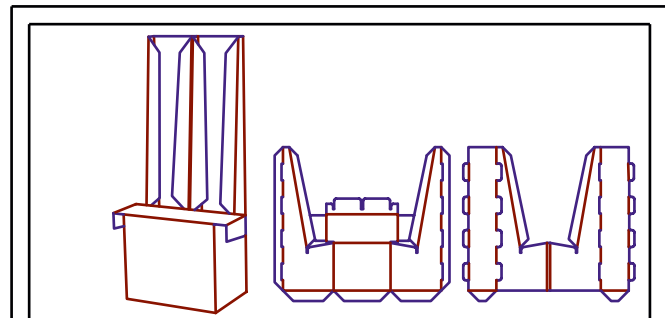
24 Floor unit with header Material N,F,G,E,B,C,EB,BC



25 header1 Material E,B,C,EB

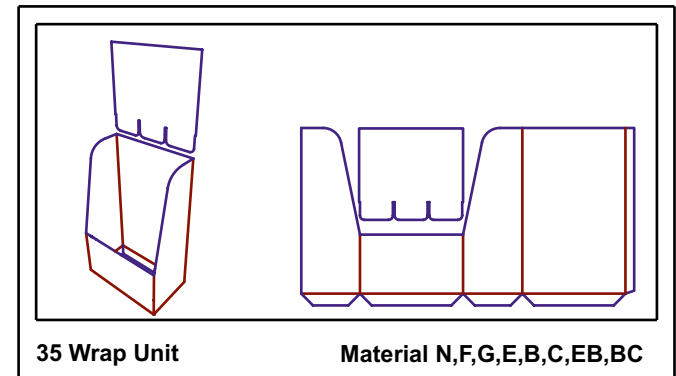
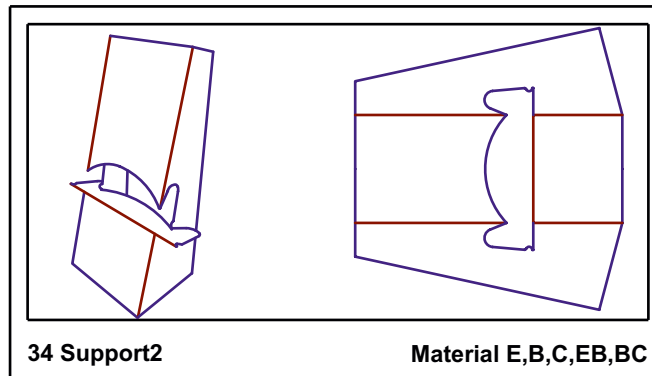
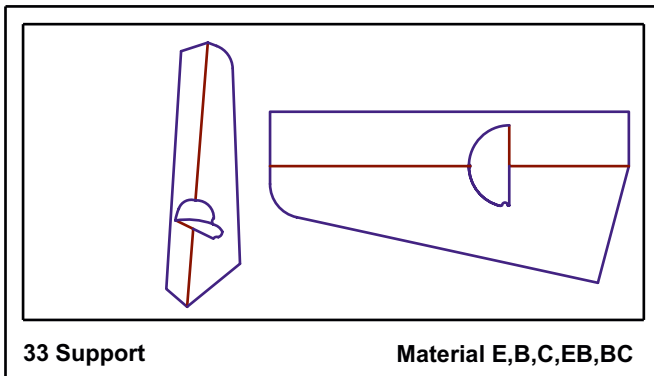
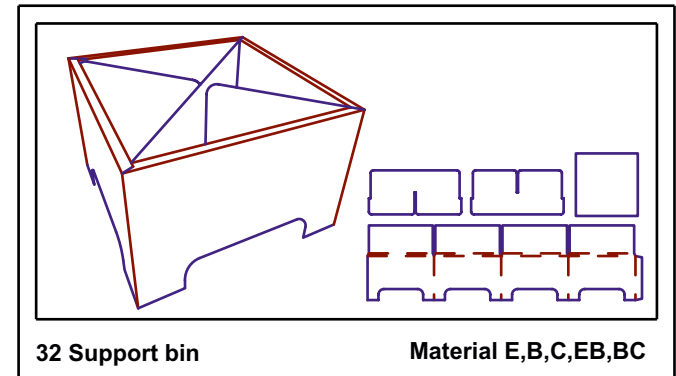
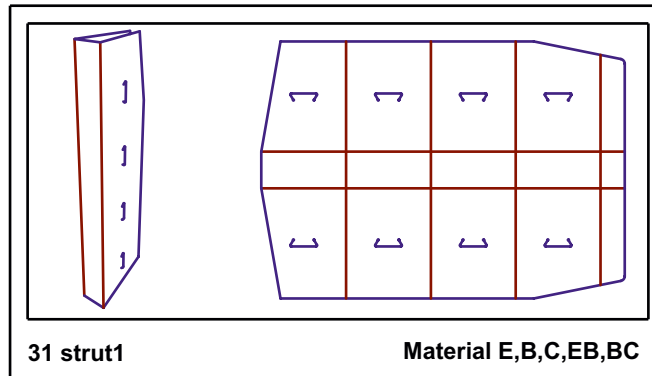
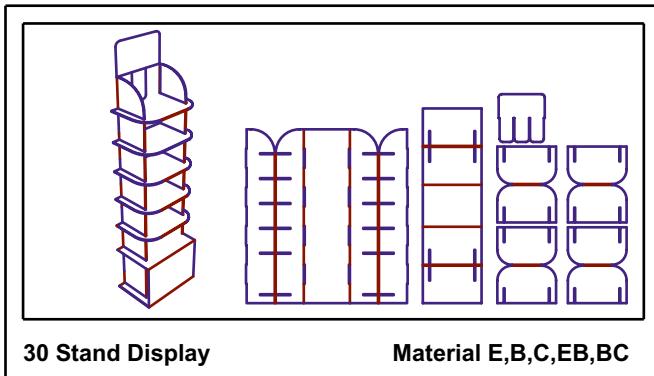
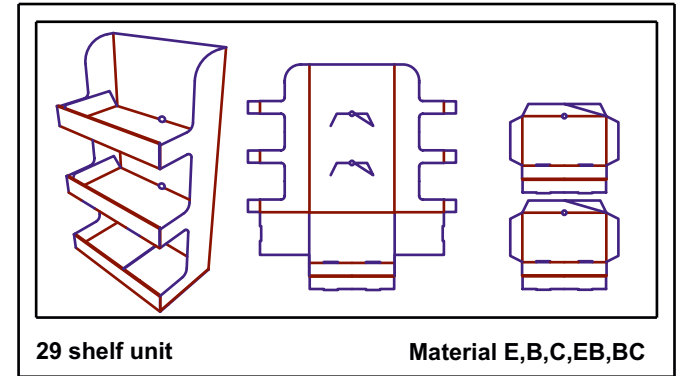
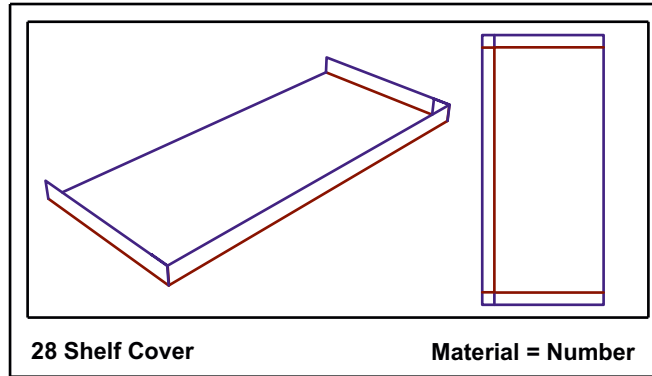
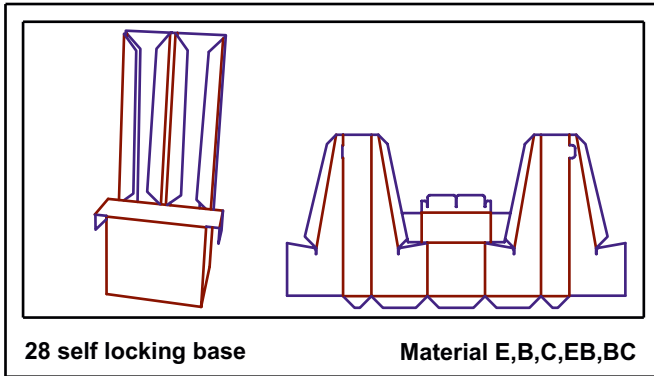


26 Pallet pack Material E,B,C,EB,BC,CA,AAA

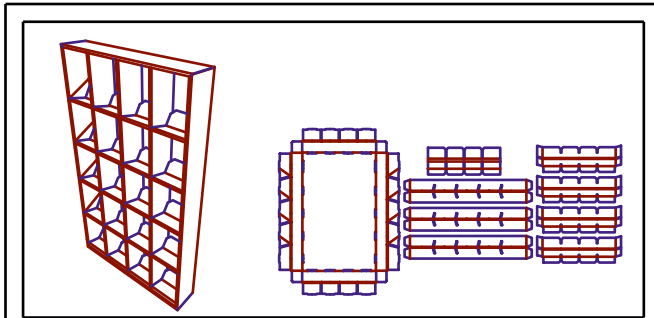


27 self locking base 2pc Material E,B,C,EB,BC

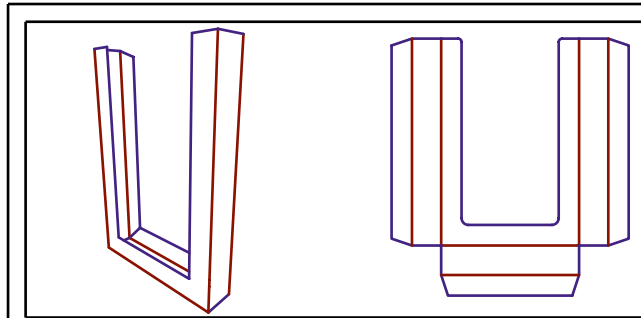
# 03 Free standing display units (FSDU)



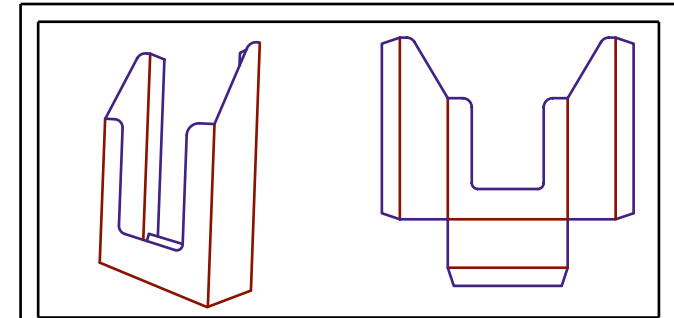
# 03 Free standing display units (FSDU)



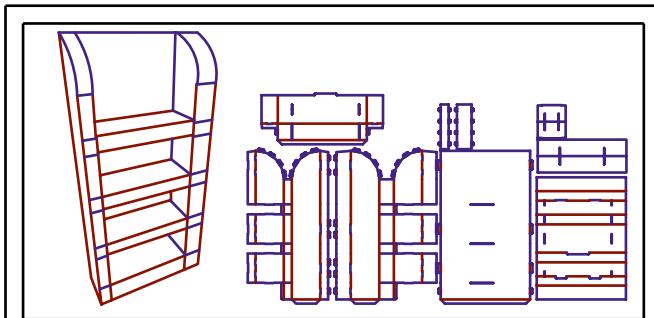
36 Tray with angled divs Material N,F,G,E,B,C,EB,BC



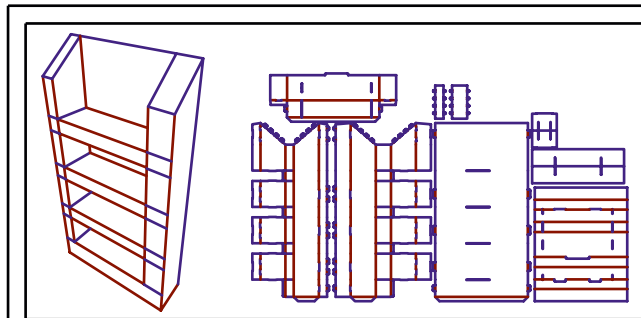
37 leaflet card Material E,B,C,EB,BC



38 leaflet card ang Material E,B,C,EB,BC



39 Shelf unit with curved top Mat N,F,G,E,B,C,EB,BC

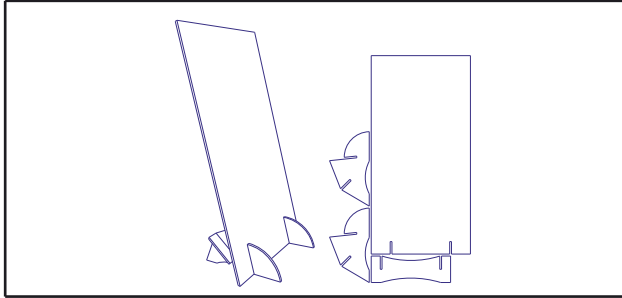


40 Shelf unit with angled top Mat N,F,G,E,B,C,EB,BC

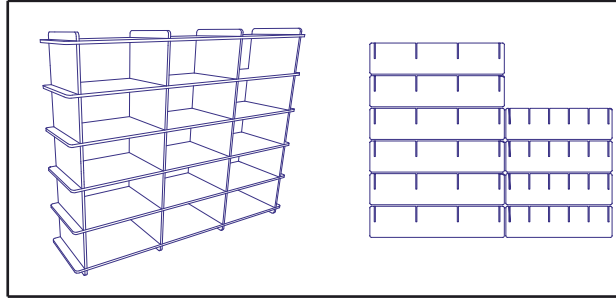
# Structural design board

## Straight cut designs

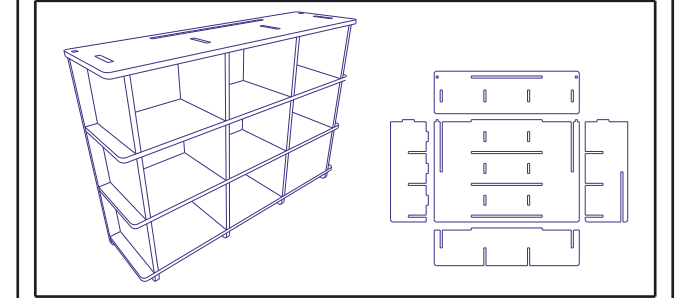
### Display stands



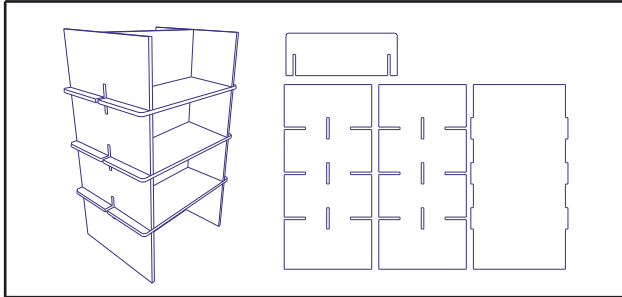
1 Stand with supports



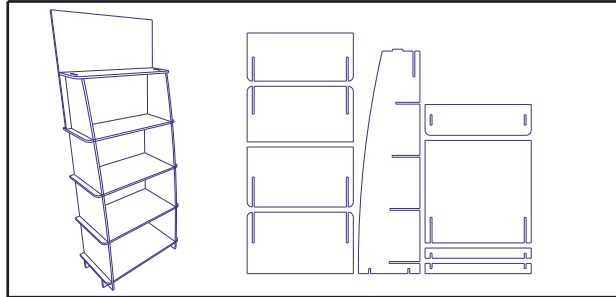
2 Shelf Unit



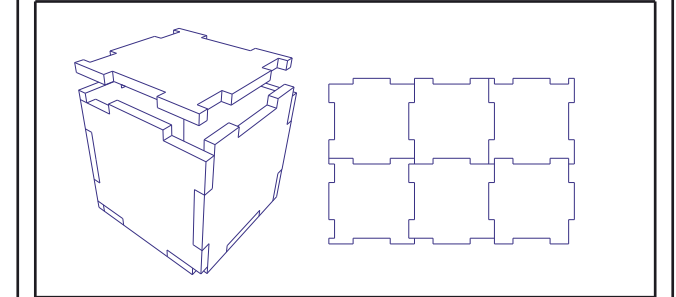
3 Shelf Unit



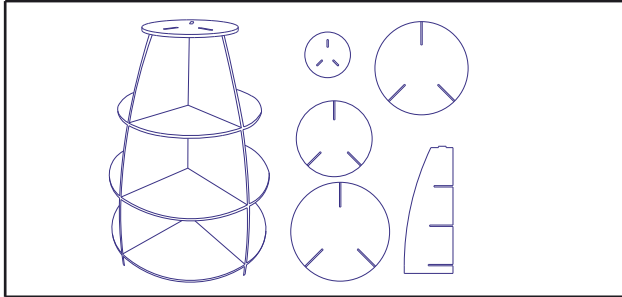
4 Shelf Unit



5 Shelf Unit

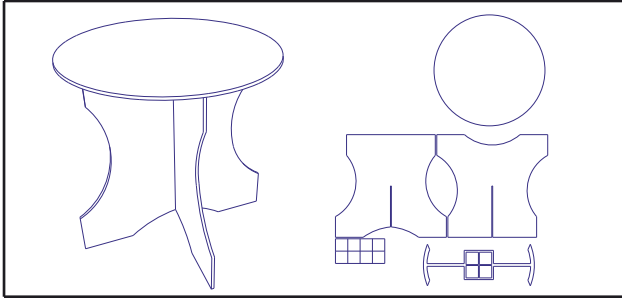


7 Cube

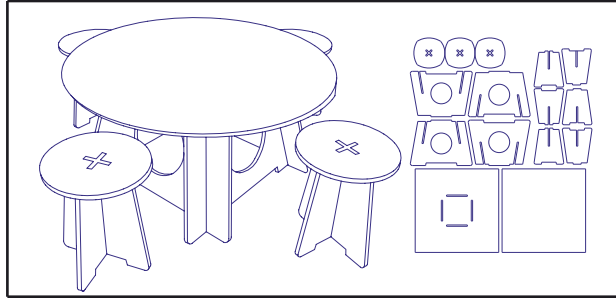


8 Shelf Unit

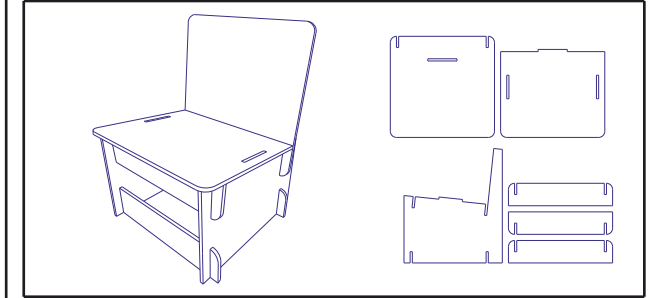
# Furniture



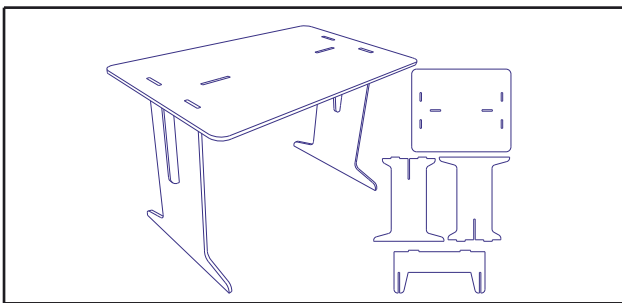
1 Bar table



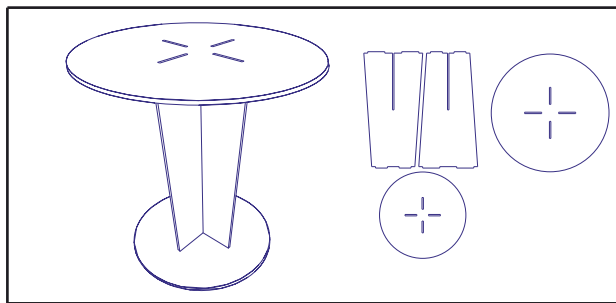
2 Table with chairs



3 Seat



4 Table



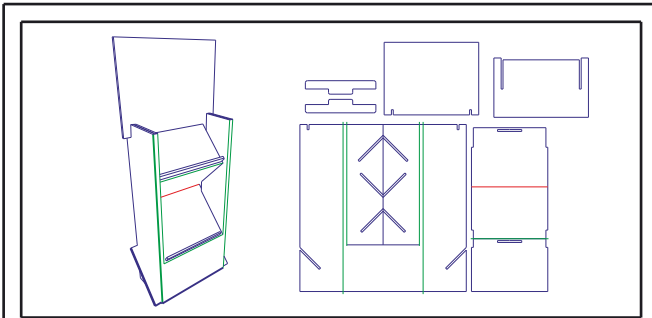
5 Table



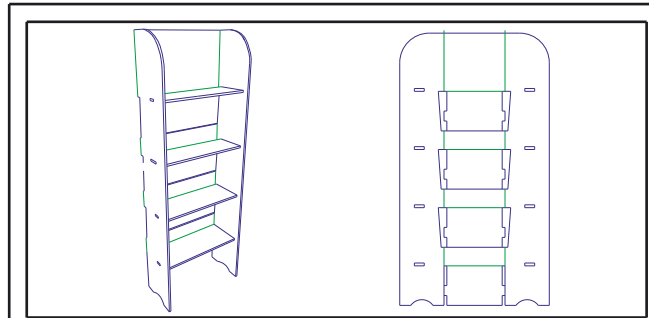
# Structural design board

## V cut designs

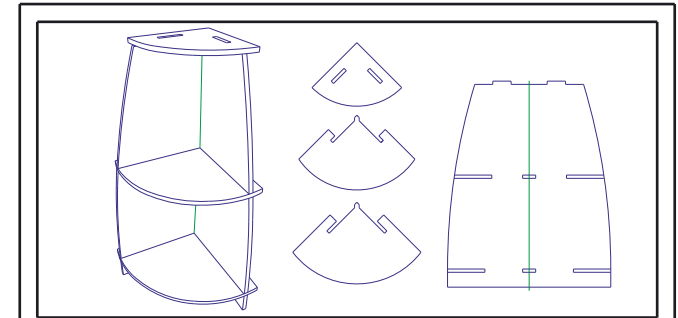
### Display stands



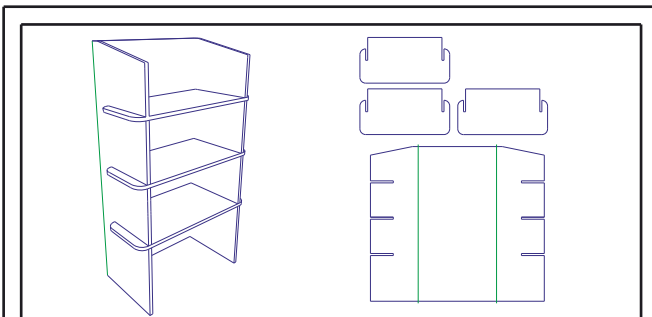
1 News Paper Stand



2 Shelf Unit



3 Corner Shelf Unit



4 Shelf Unit